

# Bundling and Securing

## Self-Affixing Clamps

### Solar Locking Clamps

#### LOC Clamps with Fir Tree

The Solar Locking Clamp is ideal for fastening wire and cable bundles to panels. Its uniquely engineered fir tree holds tightly in pre-stamped holes. The locking clamp mechanism dynamically fits various bundle sizes, while an integrated cable tie saddle option on the 9x12 version allows installers to add additional cable runs. The clamp is manufactured of an impact-modified Polyamide 6.6 material for increased flexibility, heat resistance and UV stabilization to deliver years of dependable performance. It is easy to install and operate with a single hand and does not require tools, saving time and labor costs.

#### Features and Benefits

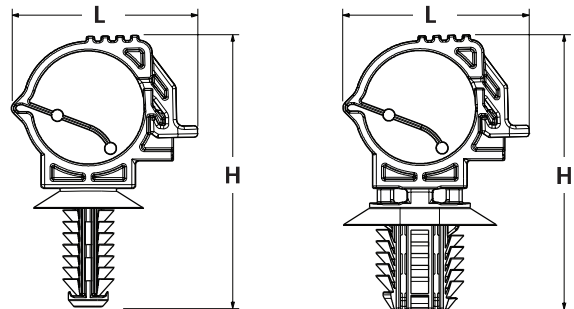
- Robust locking mechanism keeps bundle secure but can be opened by hand for maintenance.
- Fir tree allows for easy installation without tools.
- For use in solar applications, including solar panel frames and racking edges.



<b>MATERIAL</b>	Polyamide 6.6 high impact modified, heat and UV stabilized (PA66HIRHSUV)
<b>Color</b>	Black (BK)

HF ✓

RoHS ✓



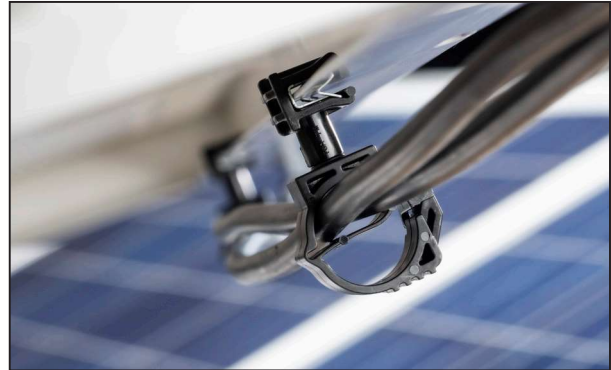
PART NO.	TYPE	Clamp Diameter in. (mm)	Panel Hole Size in. (mm)	Panel Thickness in. (mm)	Length (L) in. (mm)	Height (H) in. (mm)	Color	Pkg. Qty.
151-03863	LOC10-14XFT6LG	0.4 - 0.6 (10.0 - 14.0)	0.2 - 0.3 (6.1 - 7.0)	0.0 - 0.3 (0.6 - 8.3)	1.19 (28.43)	1.6 (41.5)	Black	1000
151-03899		0.4 - 0.6 (10.0 - 14.0)	0.2 - 0.3 (6.1 - 7.0)	0.0 - 0.3 (0.6 - 8.3)	1.19 (28.43)	1.6 (41.5)	Black	100
151-03864	LOC10-14XFT9X12	0.4 - 0.6 (10.0 - 14.0)	0.4 x 0.47 (9.0 x 12.0)	0.0 - 0.3 (0.6 - 6.8)	1.19 (28.43)	1.7 (42.0)	Black	1000
151-03902		0.4 - 0.6 (10.0 - 14.0)	0.4 x 0.47 (9.0 x 12.0)	0.0 - 0.3 (0.6 - 6.8)	1.19 (28.43)	1.7 (42.0)	Black	100

*Dimensions are approximate and subject to technical changes. Use Part No. for ordering and Type for specification purposes.*

### Solar Locking Clamps

#### LOC Clamps with Edge Clip

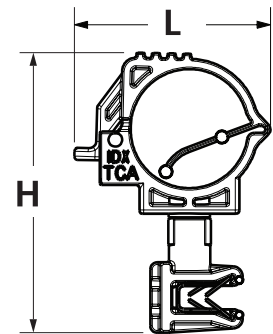
The Solar Locking Clamp with Edge Clip combines two of our most successful products into one – the Edge Clip and the Solar Locking Clamp – to provide a universal design that can fit on a wide variety of edges without the use of a cable tie. Fabricated specifically for solar applications, the Solar Locking Clamp can attach to a wide variety of solar panel and racking edge sizes. The locking clamp mechanism dynamically fits various bundle sizes. The clamp is manufactured of an impact-modified Polyamide 6.6 material for increased flexibility, heat resistance and UV stabilization to deliver years of dependable performance. It is easy to install and operate with a single hand and does not require tools, saving time and labor costs.



#### Features and Benefits

- Robust locking mechanism keeps bundle secure but can be opened by hand for maintenance.
- Edge clip allows for easy installation without tools.
- For use in solar applications, including solar panel frames and racking edges.

<b>MATERIAL</b>	Polyamide 6.6 high impact modified, heat and UV stabilized (PA66HIRHSUV)
<b>Color</b>	Black (BK)



PART NO.	TYPE	Clamp Diameter in. (mm)	Panel Thickness in. (mm)	Length (L) in. (mm)	Height (H) in. (mm)	Color	Pkg. Qty.
151-03865	LOC10-14XECMOCF90	0.4 - 0.6 (10.0 - 14.0)	0.03 - 0.11 (1.0 - 3.0)	1.19 (28.43)	1.19 (28.43)	Black	1000
151-03903		0.4 - 0.6 (10.0 - 14.0)	0.03 - 0.11 (1.0 - 3.0)	1.19 (28.43)	1.19 (28.43)	Black	100

*Dimensions are approximate and subject to technical changes. Use Part No. for ordering and Type for specification purposes.*

## HellermannTyton

#### HellermannTyton North American Corporate Headquarters

7930 N. Faulkner Rd, PO Box 245017  
Milwaukee, WI 53224-9517  
Phone: (414) 355-1130, (800) 537-1512  
Fax: (414) 355-7341, (800) 848-9866  
email: corp@htamericas.com  
www.hellermann.tyton.com

**IATF 16949, AS9100, ISO 9001 and ISO 14001 certified**

#### HellermannTyton Canada

Unit #4, 205 Industrial Parkway North  
Aurora, Ontario L4G 4C4 Canada  
Phone: (800) 661-2461  
Fax: (800) 390-3904  
email: sales@hellermanntyton.ca

#### HellermannTyton Mexico

Anillo Periferico Sur 7980 Edificio 6A  
Parque Industrial Tecnológico II  
Santa María Tequepexpan  
Tlaquepaque, Jalisco, Mexico 45601  
Phone: 011-52-33-3-133-9880  
Fax: 011-52-33-3-133-9861  
email: info-mx@hellermanntyton.com

**ISO 9001 certified**

**Warranty Policy** – HellermannTyton products are warranted to be free from defects in material and workmanship at the time sold by us; but our obligation under this warranty and that of the seller is limited to the replacement of the product, and neither we nor the seller are bound by any other warranty, expressed, implied or statutory. Under no circumstances are we or the seller liable for any loss, damage, expenses or consequential damages of any kind arising out of the use or inability to use these products. All are sold with the understanding that the user will test them in actual use and determine their adaptability for the intended uses.