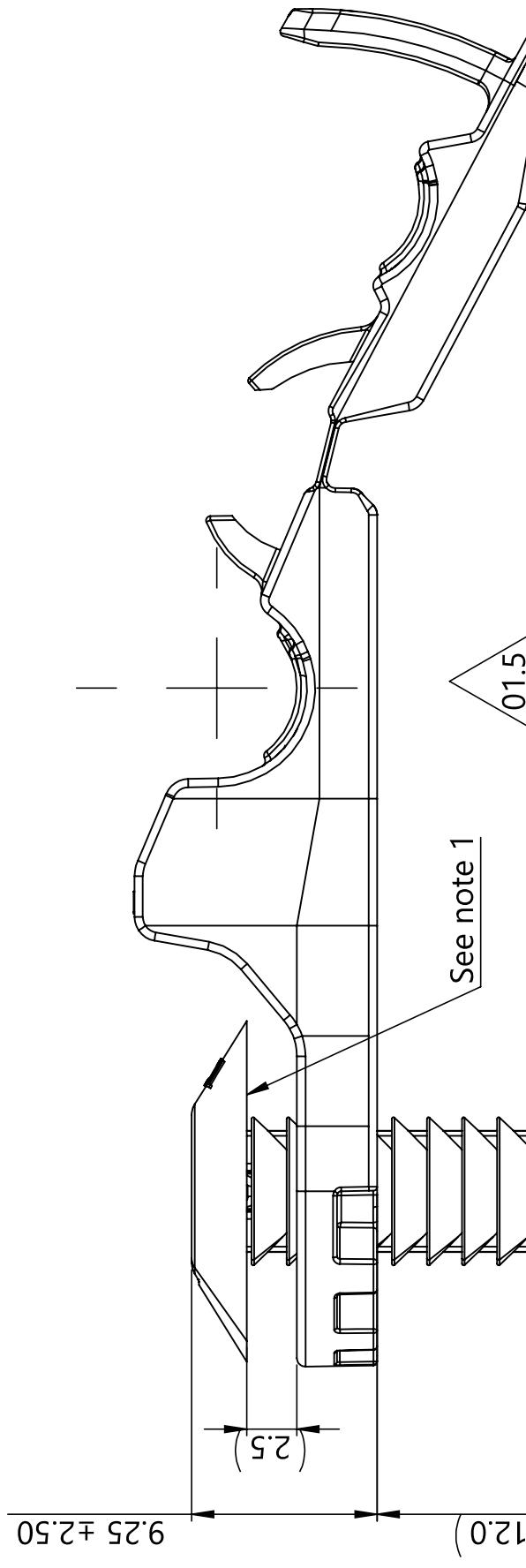
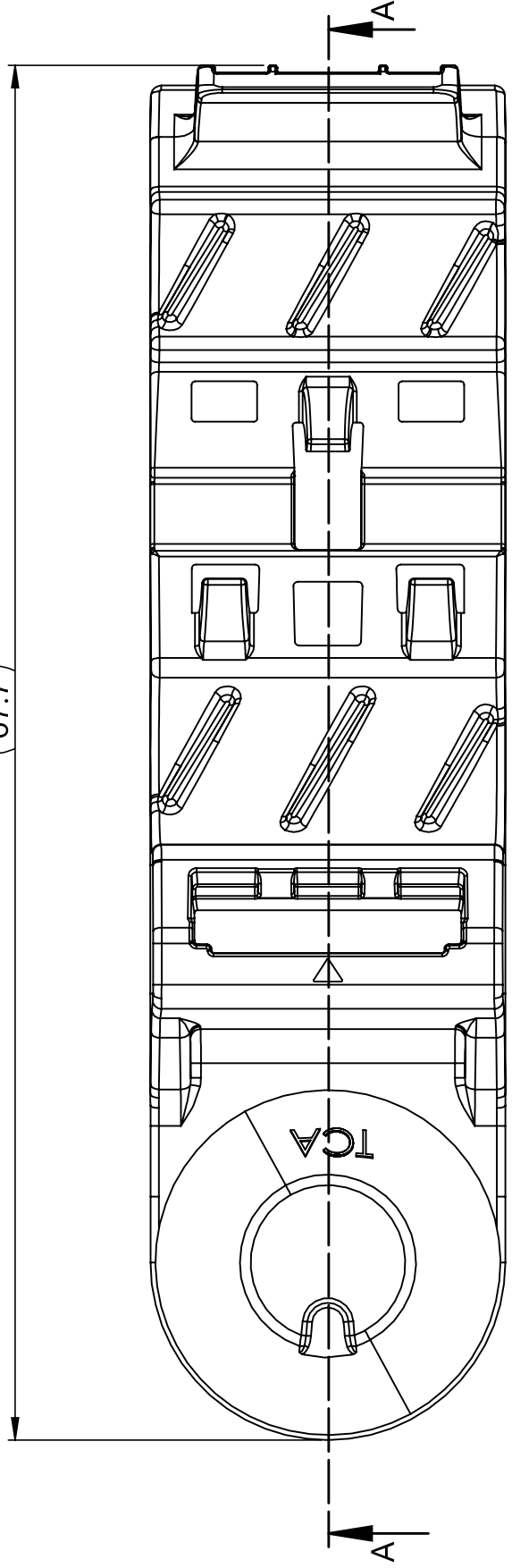


7
8
9
10
11
12

(67.7)



H

I

G

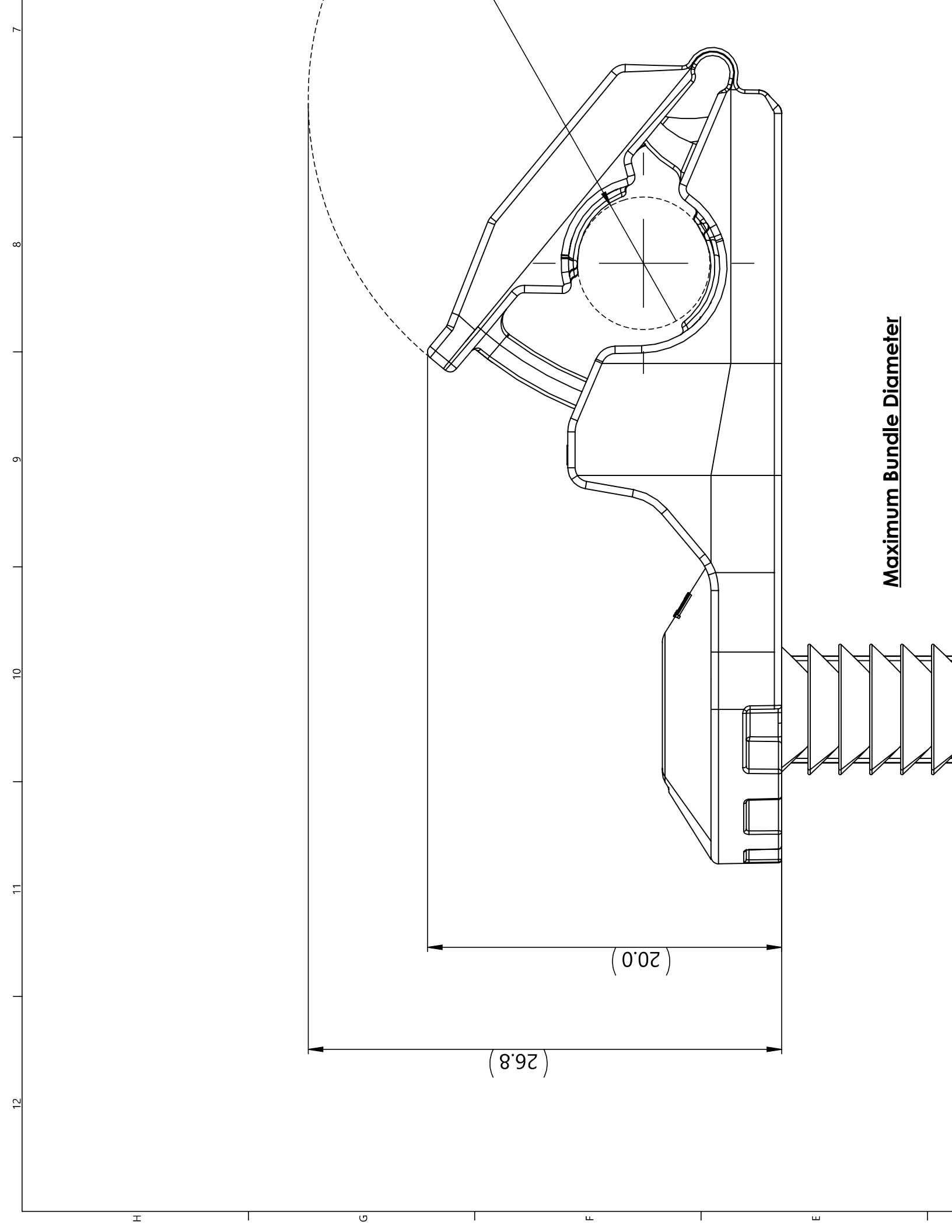
I

F

I

E

I



Maximum Bundle Diameter

7
8
9
10
11
12

H I G J F I E

(26.8)

(20.0)

(20.0)