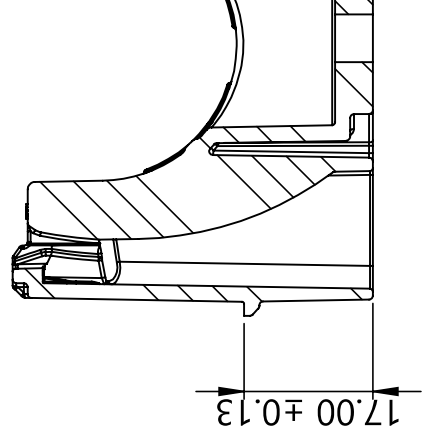
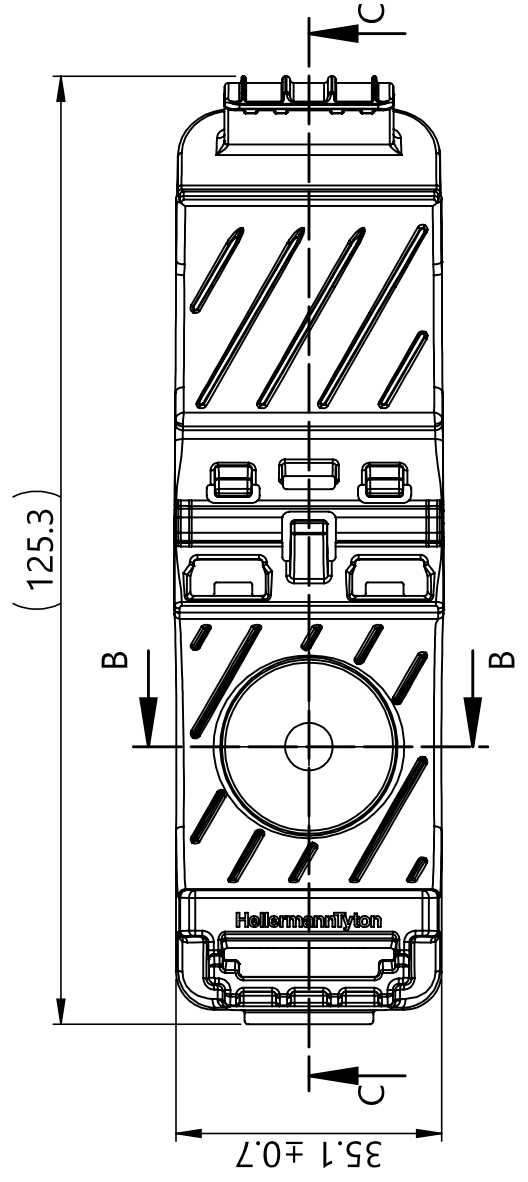


Isometric View
Product shipped in clamp open position



Section C-C

7
8
9
10
11
12

H

I

G

J

F

K

E

L