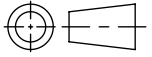
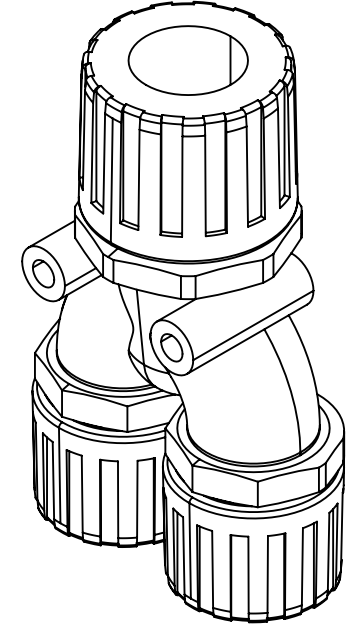
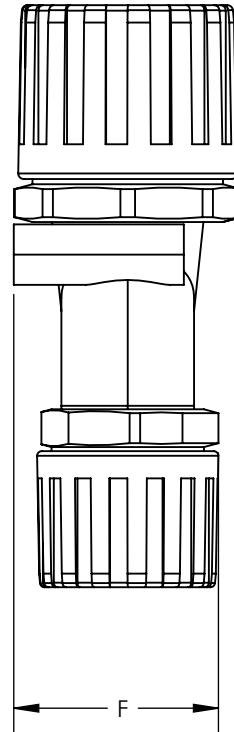
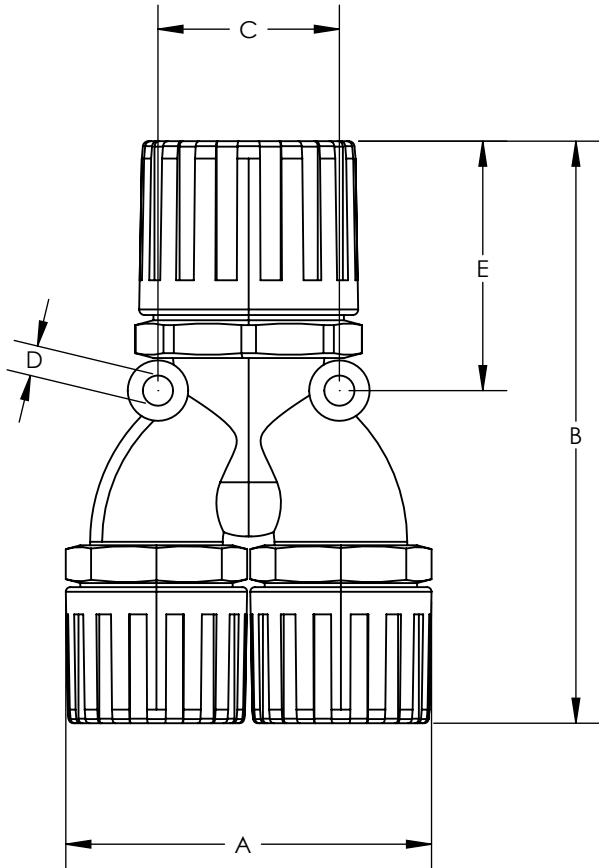


SW2014



Revision level			Revision Record	Changed	Date	Approved	Date
Drawing	State	Part					
00.0	Design Release		SEE ECN# 013611	GRW	10/31/2016	KAC	10/31/2016



Conduit Size		HellermannTyton Part Number	Manufacturer Reference Number	Dimension											
				A		B		C		D		E		F	
in.	mm			in.	mm	in.	mm	in.	mm	in.	mm	in.	mm	in.	mm
3/8	16	HG038-Y031-Y031	FPA16-13-13	1.93	49	3.03	77	0.94	24	0.16	4.0	1.3	33.0	1.14	29
1/2	21	HG050-Y038-Y038	FPA21-16-16	2.32	59	3.5	89	1.26	32	0.2	5.0	1.3	33.0	1.26	32
3/4	28	HG075-Y050-Y050	FPA28-21-21	2.64	67	3.66	93	1.93	49	0.24	6.0	1.57	40.0	1.77	45
1.00	34	HG100-Y075-Y075	FPA34-28-28	3.54	90	4.57	116	1.89	48	0.26	6.5	1.69	43.0	2.01	51

Material  
PA66

Units: inches  
Dimension without tolerances details to:  
.xxxx = ±.0005  
.xxx = ±.005  
.xx = ±.01  
.x = ±.03  
None = ±.06  
∠ = ±0.5°  
Dimension Formatted in[mm]

The copyright of this drawing is reserved by HellermannTyton. It is issued on condition that it is not reproduced, copied, or disclosed to a third party, either wholly or in part, without the consent of HellermannTyton.

Drawn GRW 10/31/2016  
Approved KAC 10/31/2016  
**HellermannTyton**  
North America  
Email: corp@htamericas.com  
Web: www.hellermann.tyton.com

Article/Type-No HG-Y SERIES  
Title **HELAGUARD Y-DIVIDER NYLON FITTING, IP66**  
Drawing-No PRODUCTION : Phase  
**16-1633-001-CSU**

Scale 1:1  
Project Number PRP 16-1633  
Format AH  
Sheet 1/1