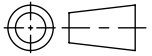
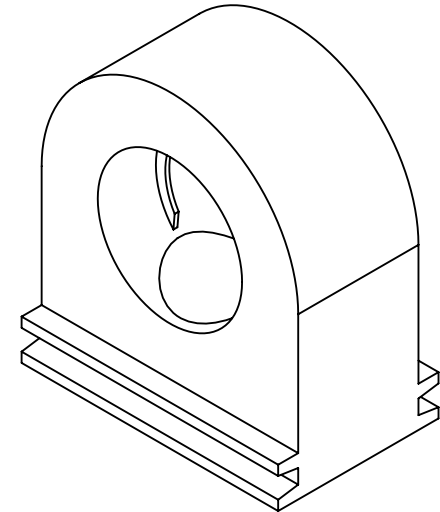
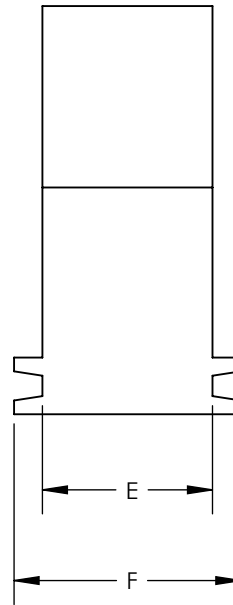
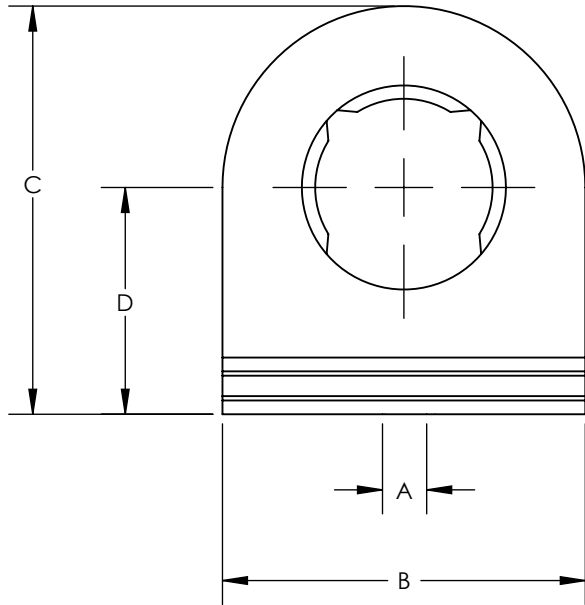


SW2014



Revision level			Revision Record	Changed	Date	Approved	Date
Drawing	State	Part					
00.0	Design Release		SEE ECN# 013585	GRW	10/13/2016	KAC	10/13/2016



Conduit Size		Euro Size	HellermannTyton Part Number	Manufacturer Reference Number	Dimension										Pull Off (N)*	Pull off (lbs)*		
in.	mm	(NW)			A (Fixing Diameter)		B		C		D		E				F	
					in.	mm	in.	mm	in.	mm	in.	mm	in.	mm	in.	mm		
3/8	18	12	AFCP0380	FCL18	M6	0.2362	1.26	32	1.42	36	0.79	20	0.59	15	0.79	20	600	200
1/2	21	17	AFCP0500	FCL21	M6	0.2362	1.26	32	1.42	36	0.79	20	0.59	15	0.79	20	600	200
3/4	26	23	AFCP0750	FCL26	M6	0.2362	1.61	41	1.77	45	0.94	24	0.59	15	0.79	20	700	350
1.00	32	29	AFCP1000	FCL33	M6	0.2362	1.89	48	2.01	51	1.06	27	0.59	15	0.79	20	700	350

Material
PA66

Units: inches
Dimension without tolerances details to:
.xxxx = ±.0005
.xxx = ±.005
.xx = ±.01
.x = ±.03
None = ±.06
∠ = ±0.5°
Dimension Formatted in/[mm]

The copyright of this drawing is reserved by HellermannTyton. It is issued on condition that it is not reproduced, copied, or disclosed to a third party, either wholly or in part, without the consent of HellermannTyton.

Drawn GRW 10/13/2016
Approved KAC 10/13/2016

HellermannTyton
North America
Email: corp@htamericas.com
Web: www.hellermann.tyton.com

Article/Type-No AFCP SERIES
Title **HELAGUARD AFCP CLIP FOR FLEXIBLE PVC TUBING**
Drawing-No PRODUCTION : Phase
16-1623-001-CSU

Scale 2:1
Project Number PRP 16-1623
Format AH
Sheet 1/1