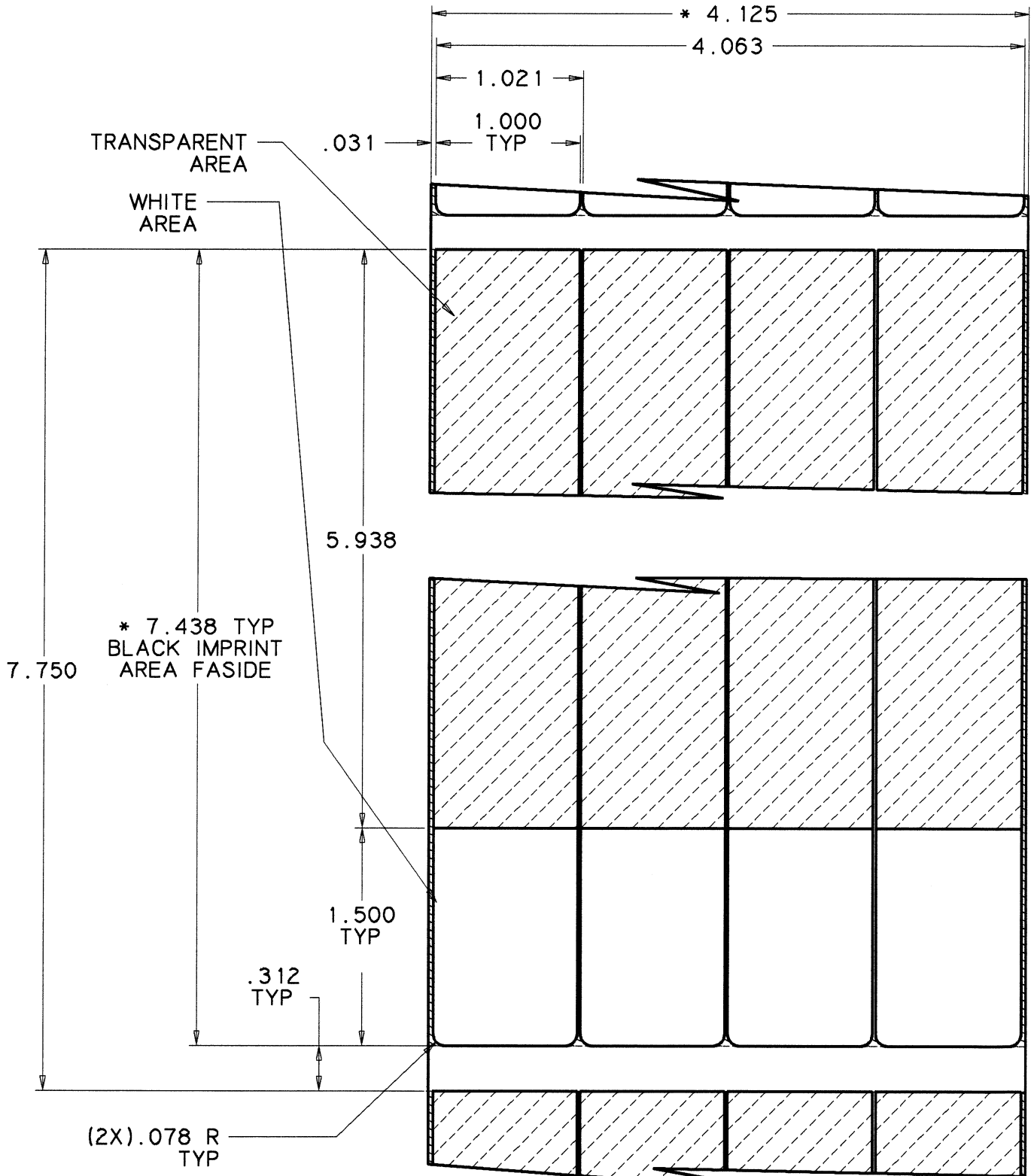


name	date	city, state

DIMENSIONS

*

DIMENSIONS FOR FARSIDE OF RELEASE LINER



1.000 WHITE/TRANSPARENT LABELS PER ROLL
4 ACROSS ON A 3" CORE

REVISION	level	A
	by	AAM
	date	12/4/98
	ECN #	000944
	part level	A

DIMENSIONS	.XXXX=	
	.XXX= ± .010	
	.XX=	
	.X=	
	∠=	
unless otherwise specified		
units	inches	

PART	number	TAG38T4-100B	phase	PRODUCTION
	name	TAG38T4-100B THERMAL TRANSFER SELF-LAMINATING LABEL		
	material	100 CLEAR VINYL ON 50 LB LINER		

DRAWING	FORMAT AV version J	CAD	PD	scale	1X
	computer file number	LA\DTL\3002117A			
	drawn	A.A.M.	checked	<i>[Signature]</i>	
	date	12/4/98	checked	<i>[Signature]</i>	
	type	DETAIL			sheet
number	LA3002117DTL				