

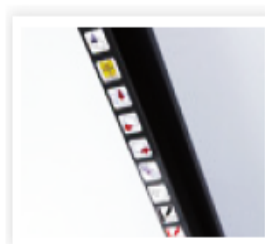
TE-SN-65

INTERACTIVE FLAT PANEL DISPLAY



Starboard Interactive Flat Panel Displays provide the latest infrared touch technology. The multifunctional touch displays are suitable for presentations, video conferences, lessons and meetings.

Captivate your audience with our high-quality Full HD interactive displays and make your lessons or briefings simple and efficient. The elegant design is equally suitable for office and classroom.



The affordable option for all institutions: Teachers and students will benefit from the latest technology and high quality hardware. Students feel more involved thanks to the large, bright and vibrant images.

Infrared Touch Technology

Infrared touch screen based on light-beam interruption technology with light transmission

Software

Powerful Starboard Software is included

Finger-Driven Technology

Drawing and navigating through activity



Compatible with Windows, Mac OS, Linux and Android



Built-in Speakers



Ultra-Slim and Ultra-Narrow Design



Multi-Touch within Draw View Gesture Recognition Patent

FULL HD

Full HD with 1920*1080@60Hz

TE-SN-65

Model Number TE-SN-65
 Cabinet Aluminum FrontCover (Frame)
 Metal BackCover

Display Specification

Display area 1428.5*803.5 mm
 Backlight Type LED
 Brightness 330cd/m²
 Display ratio 16:9
 View Angle 178°
 Contrast Ratio 5000:1
 Picture model 16:9/4:3/dot to dot/full screen
 Resolution UP to 1920*1080
 Orientation Landscape
 Displayable Colors RGB
 Minimum life length panel 50.000 hours
 Standard Energy Star

Monitor Specifications

Video Mode PAL, SECAM
 Sound Mode DK, BG, I,
 Resolution 1280*960/1280*1024/1360*768/1440*
 900/1600*1200/1920*1080@60Hz
 Response time <17ms
 Input port 2*HDMI, 2*VGA, 1*YPBPR, 1*AV, 2*USB
 2.0, 1*RS232
 Output port 1*VGA

Touch monitor Specification

Glass Tempered glass/Anti-Glare glass
 Protective glass with 7 MOHS strength
 infrared
 Technology 1~10 optional
 Points input $\Phi < 3\text{mm}$
 Accuracy 4096*4096/16384*16384/32768*32768
 Positioning resolution <8ms
 Continuous speed >180dot/s
 Cursor speed USB
 PC port WINDOWS all/LINUX/MAC /Android
 OS(system) plug and play
 PC response

Electrical Specifications

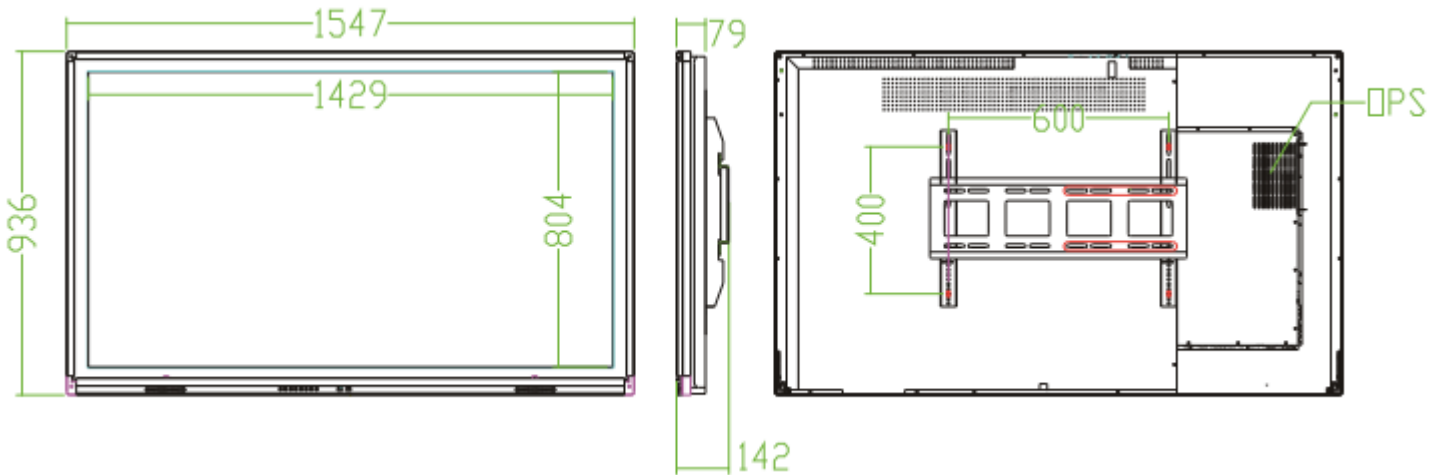
Voltage range AC (100~240)V-50/60HZ
 Power consumption standby:<1W
 Rated power:<420W
 Work temperature 0~40°C
 Work Humidity 0~90%
 Storage temperature -10~50°C
 Storage Humidity 0~90%

Optional Parts

Glass Transparent Glass
 OPS I3/I5, 4G, 500G
 Mobile stand

Dimension and weight

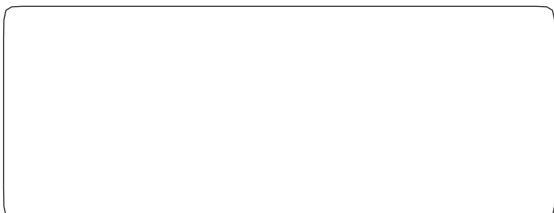
Product dimension 1547*936*93mm $\pm 2\text{mm}$
 Package Size 1760*1190*500mm $\pm 5\text{mm}$
 Weight Net approx. 67 $\pm 2\text{kg}$
 Weight Gross approx. 83 $\pm 2\text{KG}$



StarBoard Solution GmbH

Kurfürstendamm 22,
 D-10719 Berlin, Germany
 Tel: +49 (0)30 8877 2600
 Fax: +49 (0)30 8877 2610
 Email: berlin@starboard-solution.com

www.starboard-solution.eu



StarBoard

Please read safety instructions in User's Guide before using this product. Specifications and images are subject to change without notices.