

PVK-102 Pivot Table Stand

Quick Start Guide

This printed quick guide provides a quick walkthrough of the set up process.

Technical Spec

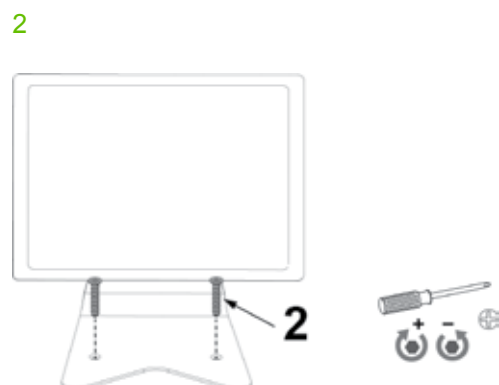
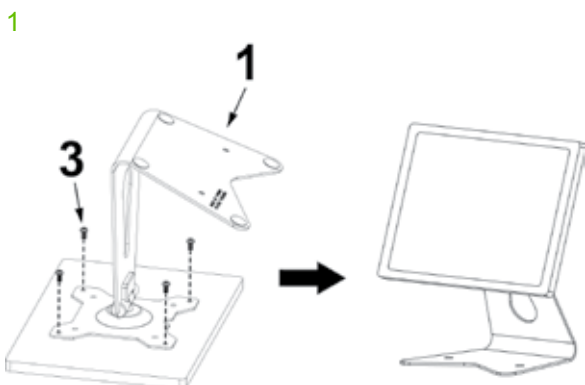
Net weight	0.75 kg (1.65 lbs)	
Dimension (W * H * D)	157 mm x 216 mm x 136 mm (6.18" x 8.50" x 5.35")	
Screw type	M4	
Material	Steel	
Hinge module	Tilt Rotating holder (pivot)	-23° ~ +151° 360°
Display support	Mounting pattern Suggested signboard size Maximum support weight	100 mm x 100 mm / 75 mm x 75 mm ≤ 12" 1.2 kg (2.6 lbs)
Cable Management	Yes	

Box Content

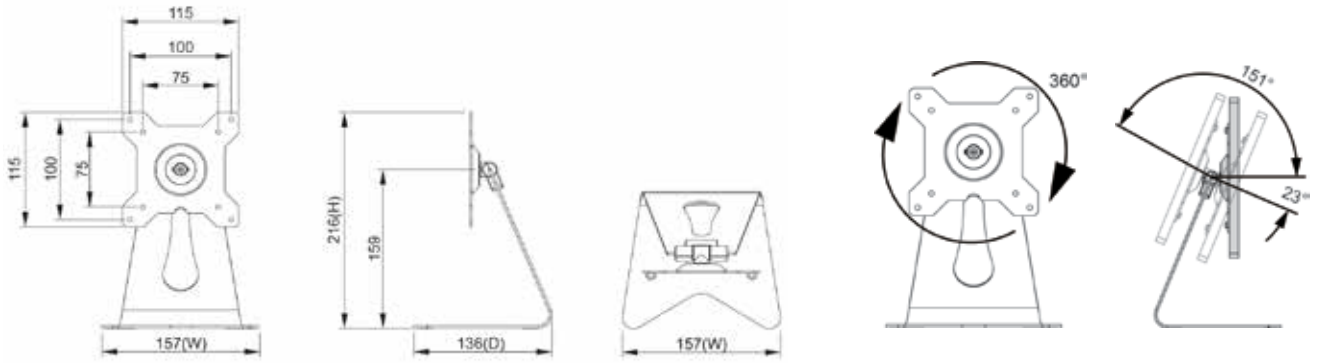
Item	Parts	Q'ty
1	Table stand	1
2	Table mounting screw	2
3	VESA plate screw (WRP-1000 use M4 x 12L)	4



Mounting and Installation



Mechanical Drawings



Product Photos

10" signboard in landscape



Front



Back

10" signboard in portrait



Front



Back

PVK-102
Silver



PVK-102
Black



Anti-slip surface for
secure mounting

