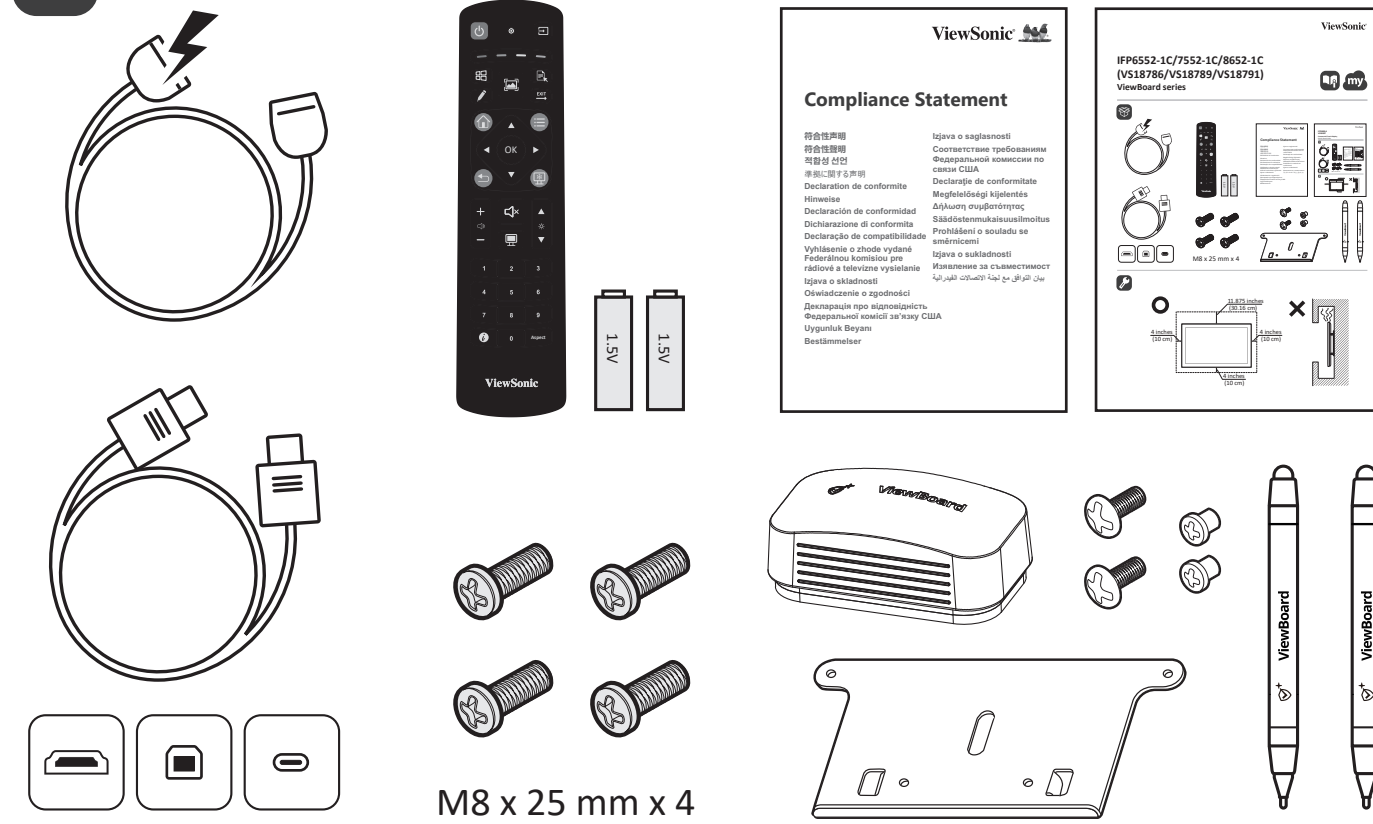
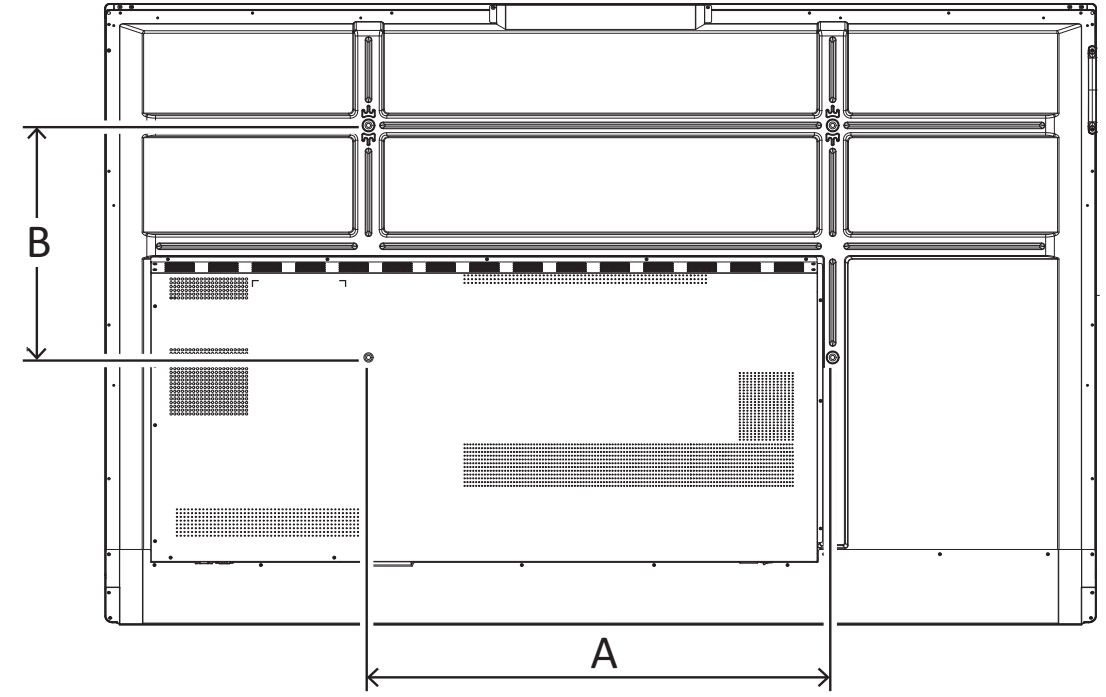
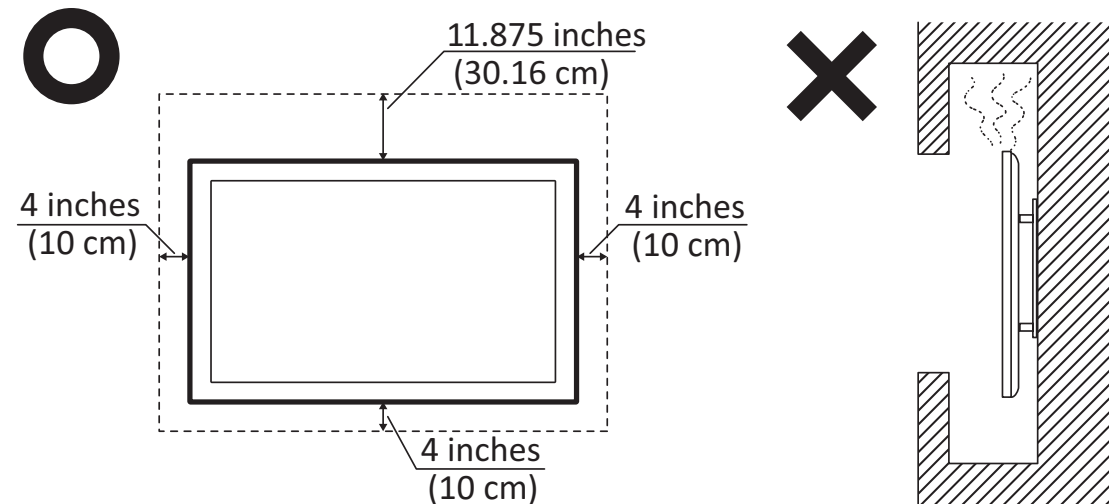


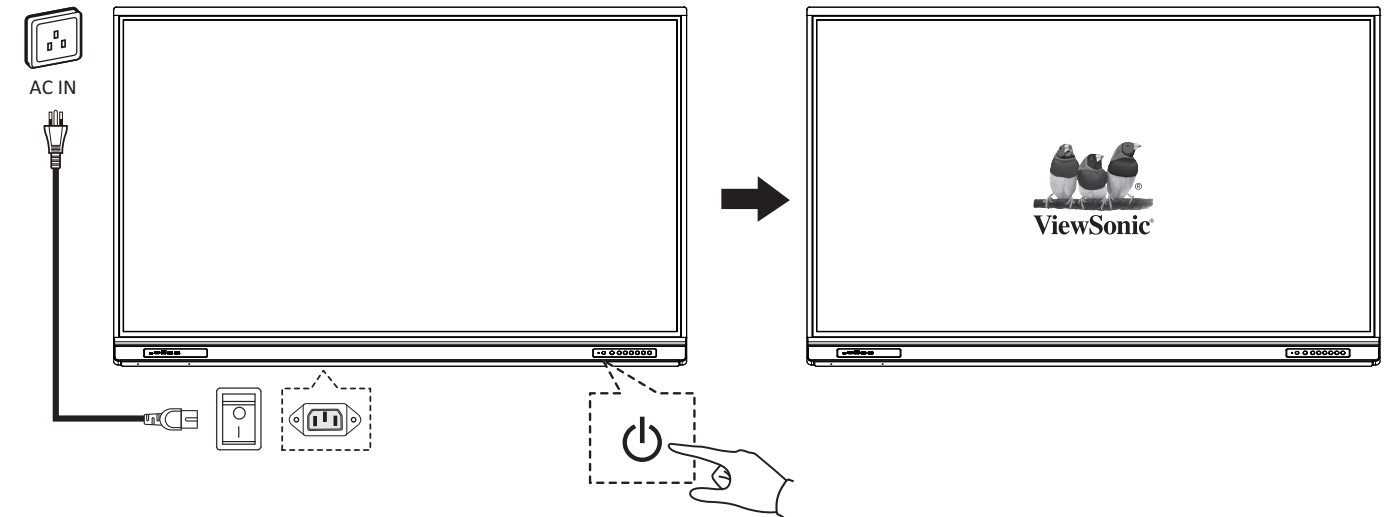
**IFP6552-1C/7552-1C/8652-1C  
(VS18786/Vs18789/Vs18791)  
ViewBoard series**



M8 x 25 mm x 4



IFP6552-1C-65"	600 x 400 mm (A x B)
IFP7552-1C-75"	800 x 400 mm (A x B)
IFP8652-1C-86"	800 x 600 mm (A x B)



Welcome to visit ViewSonic Online Support Center for more information