

# Installation and Assembly: Portrait Spacer Kit

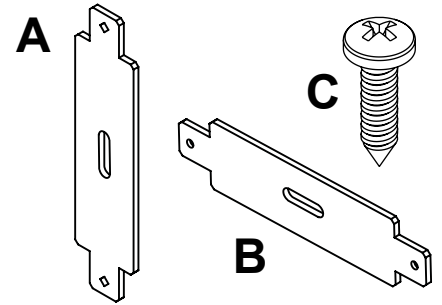
Model: DS-VWS0##-P

Before you begin, make sure all parts shown are included with your product.  
 Parts may appear slightly different than illustrated.

## Parts List

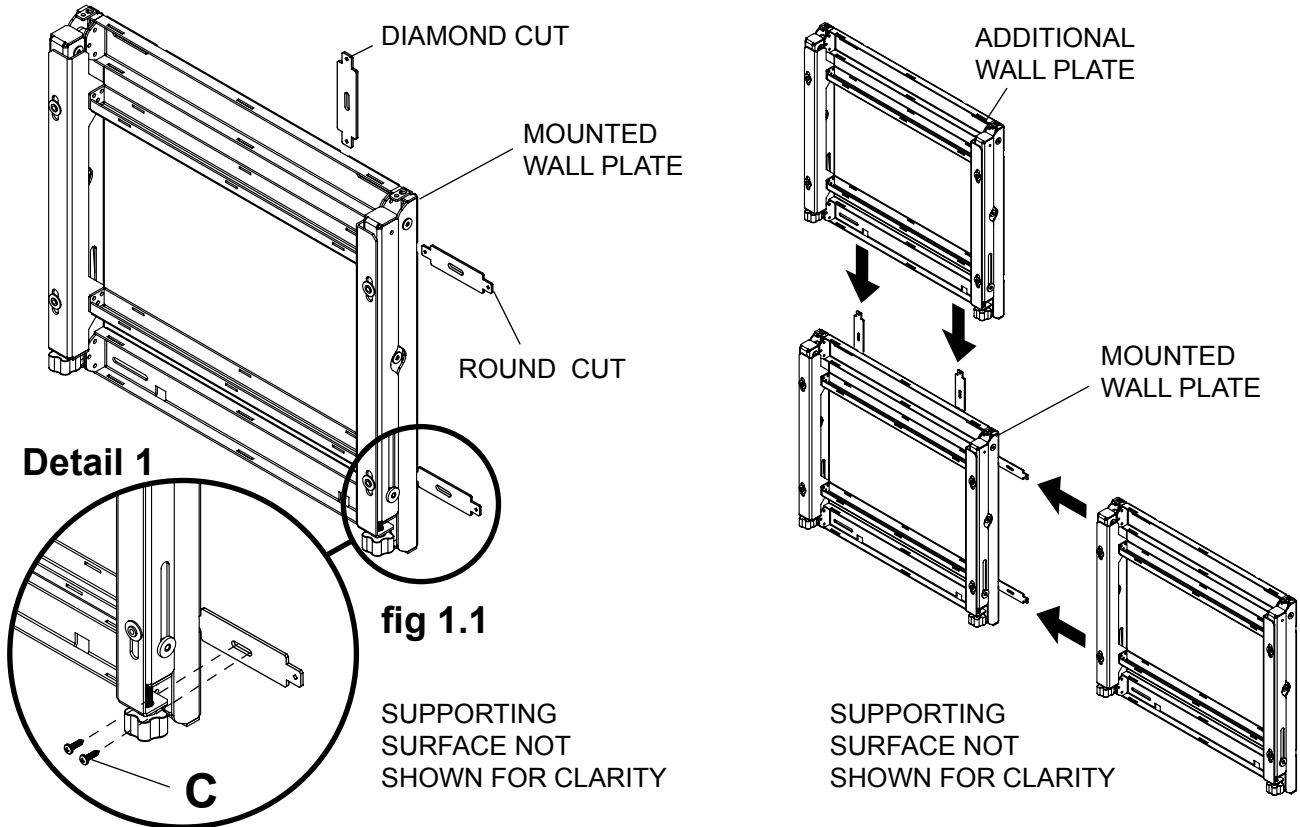
Description	Qty.	Part #
A vertical spacer	2	See chart on page 2
* B horizontal spacer	2	See chart on page 2
C #10 x 3/4" wood screws	8	500-9006

\* Not included with some models



**NOTE:** Refer to main product instruction for wall plate installation. Vertical spacer (A) is identified by diamond cut.

**1 NOTE:** If horizontal spacer (B) is not included, mounted wall plates should be touching horizontally. Slide spacers (A and B) into tab of mounted wall plate as shown in figure 1.1. Keeping spacers (A and B) flush up against wall plate fasten with two #10 x 3/4" wood screws (C) as shown in detail 1. There must be two spacers placed on the same side as the additional wall plate. Align the tabs of the additional wall plate flush with the spacers. Follow main instruction for proper installation of additional wall plates.



WALL PLATE ASSEMBLIES MAY BE DIFFERENT THAN ILLUSTRATED

<b>CHART</b>		
<b>MODEL</b>	<b>HORIZONTAL</b>	<b>VERTICAL</b>
DS-VWS004-P	145-1318	145-1293
DS-VWS006-P	145-1319	145-1294
DS-VWS007-P	145-1320	145-1295
DS-VWS011-P	145-1321	145-1297
DS-VWS012-P	145-1322	145-1298
DS-VWS013-P	145-1323	145-1299
DS-VWS014-P	145-1588	145-1589
DS-VWS015-P	145-1329	145-1300
DS-VWS016-P	145-1324	145-1301
DS-VWS017-P	-	145-1302
DS-VWS019-P	145-1326	145-1303
DS-VWS020-P	145-1327	145-1304
DS-VWS021-P	145-1328	145-1305
DS-VWS022-P	145-1330	145-1306
DS-VWS023-P	145-1331	145-1307
DS-VWS024-P	145-1332	145-1308
DS-VWS025-P	145-1333	145-1309
DS-VWS026-P	145-1334	145-1310
DS-VWS028-P	145-1335	145-1311
DS-VWS029-P	145-1336	145-1312
DS-VWS030-P	145-1337	145-1313
DS-VWS031-P	145-1338	145-1314
DS-VWS033-P	145-1339	145-1315
DS-VWS037-P	145-1340	145-1316
DS-VWS038-P	145-1426	145-1427
DS-VWS039-P	145-1392	145-1393
DS-VWS040-P	145-1441	145-1442
DS-VWS042-P	145-1401	145-1402
DS-VWS043-P	145-1373	145-1374
DS-VWS044-P	145-1375	145-1376
DS-VWS045-P	145-1405	145-1406
DS-VWS046-P	145-1472	145-1473
DS-VWS049-P	145-1493	145-1494
DS-VWS050-P	145-1445	145-1446
DS-VWS052-P	145-1413	145-1414
DS-VWS053-P	145-1417	145-1418
DS-VWS056-P	145-1437	145-1438
DS-VWS060-P	145-1476	145-1477
DS-VWS061-P	145-1480	145-1481
DS-VWS062-P	145-1486	145-1487
DS-VWS063-P	145-1497	145-1498
DS-VWS064-P	145-1501	145-1502
DS-VWS066-P	145-1659	145-1660

## NUMBER OF SPACER KITS REQUIRED

Number of Horizontal Screens

Number of Vertical Screens	Number of Horizontal Screens										
	1	2	3	4	5	6	7	8	9	10	
1	0	1	2	3	4	5	6	7	8	9	
2	1	2	4	6	8	10	12	14	16	18	
3	2	4	6	9	12	15	18	21	24	27	
4	3	6	9	12	16	20	24	28	32	36	
5	4	8	12	16	20	25	30	35	40	45	
6	5	10	15	20	25	30	36	42	48	54	
7	6	12	18	24	30	36	42	49	56	63	
8	7	14	21	28	35	42	49	56	64	72	
9	8	16	24	32	40	48	56	64	72	81	
10	9	18	27	36	45	54	63	72	81	90	