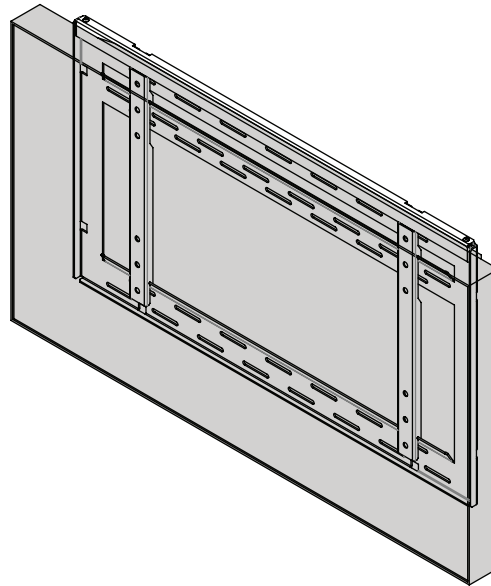


Installation and Assembly: Wall Mount

Model: DS-VW650



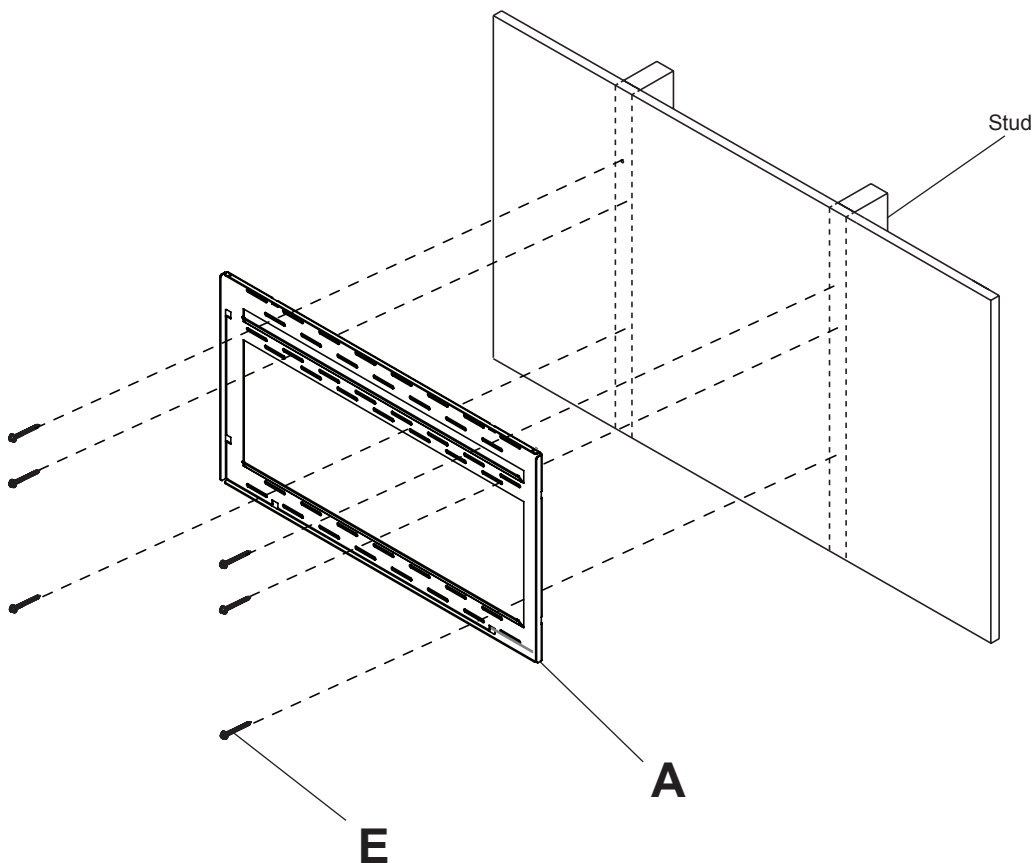
Parts List		
Description	Qty.	Part #
A wall plate	1	145-1199
B lock bracket	1	145-1201
C vertical bracket	2	145-1200
D M5 x 10 mm socket pin Type F screw	2	520-1164
E #14 x 2.5" hex head wood screw	6	5S1-015-C03
F concrete anchor	6	590-0320
G 4 mm allen wrench	1	560-9646
H nylon shoulder washer	4	590-2233
I M6 x 12 mm phillips screw	4	5201128
J M8 x 15 mm phillips screw	4	520-9257

Installation to Wall Stud

⚠ WARNING

- Installer must verify that the supporting surface will safely support the combined load of the equipment and all attached hardware and components.
- Tighten wood screws so that wall plate is firmly attached, but do not overtighten. Overtightening can damage the screws, greatly reducing their holding power.
- Never tighten in excess of 80 in. • lb (9 N.M.).
- Make sure that mounting screws are anchored into the center of the stud. The use of an "edge to edge" stud finder is highly recommended.
- Hardware provided is for attachment of mount through standard thickness drywall or plaster into wood studs. Installers are responsible to provide hardware for other types of mounting situations.

- 1 Use a stud finder to locate the edges of the stud. Use of an edge-to-edge stud finder is highly recommended. Based on their edges, draw a vertical line down the stud center. Place wall plate (**A**) on wall as a template. Level plate, and mark the center of the six mounting holes. Make sure that the mounting holes are on the stud centerline. Drill six 5/32" (4 mm) dia. holes 2-1/2" (65 mm) deep. Make sure that the wall plate (**A**) is level, secure it using six #14 x 2.5" wood screws (**E**) as shown below.

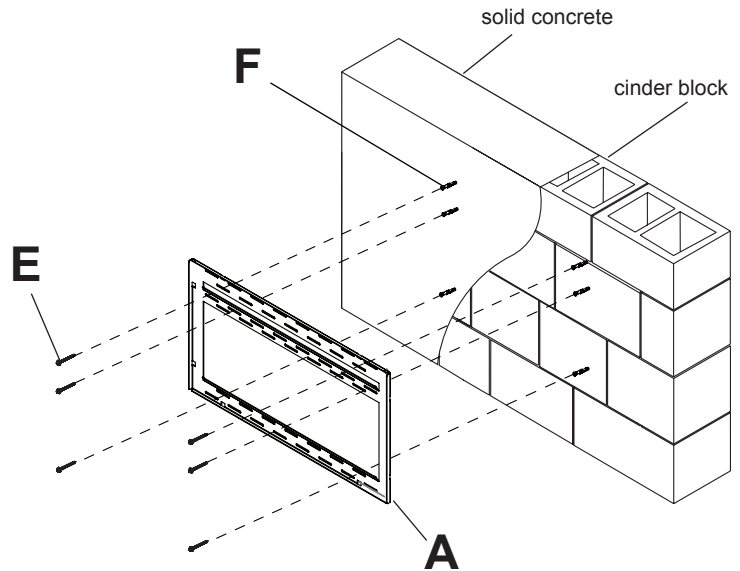


Installation to Solid Concrete or Cinder Block

⚠ WARNING

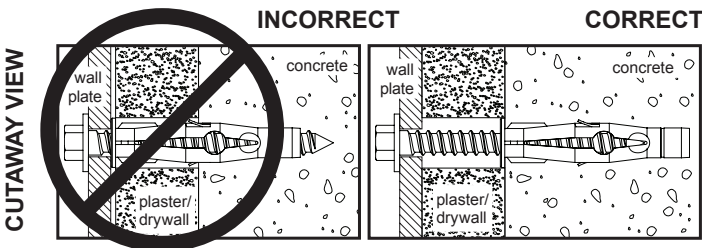
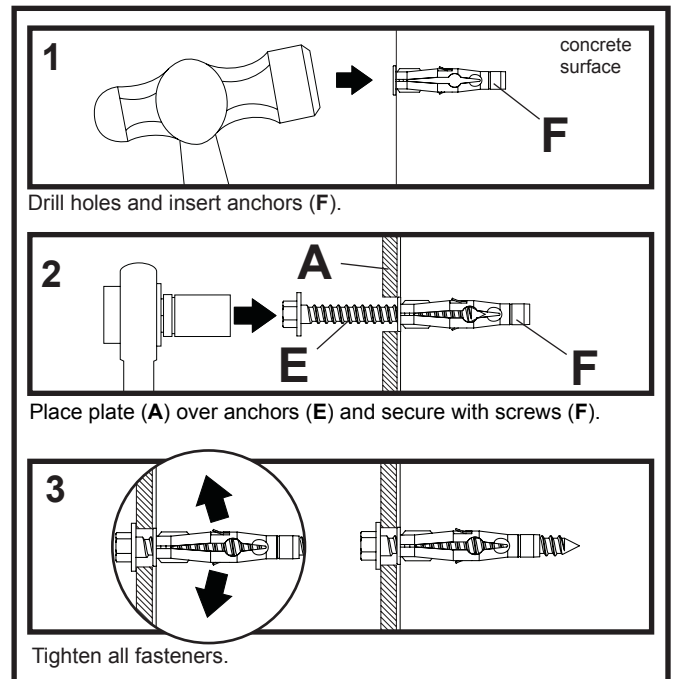
- When installing Peerless wall mounts on cinder block, verify that you have a minimum of 1-3/8" (35 mm) of actual concrete thickness in the hole to be used for the concrete anchors. Do not drill into mortar joints! Be sure to mount in a solid part of the block, generally 1" (25 mm) minimum from the side of the block. Cinder block must meet ASTM C-90 specifications. It is suggested that a standard electric drill on slow setting is used to drill the hole instead of a hammer drill to avoid breaking out the back of the hole when entering a void or cavity.
- Concrete must be 2000 psi density minimum. Lighter density concrete may not hold concrete anchor.
- Make sure that the wall will safely support four times the combined load of the equipment and all attached hardware and components.

- 1 Make sure that wall plate (A) is level, use it as a template to mark six mounting holes. Drill six 5/16" (8mm) dia. holes to a minimum depth of 2.5" (64 mm). Insert anchors (F) in holes flush with wall as shown (right). Place wall plate (A) over anchors and secure with six #14 x 2.5" screws (E) as shown. Level, then tighten all fasteners.

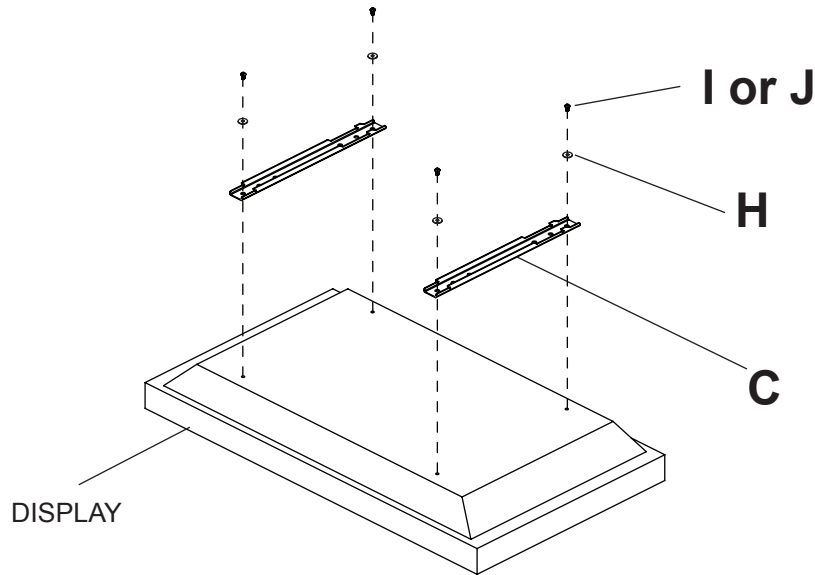


⚠ WARNING

- Tighten screws so that wall plate is firmly attached, but do not overtighten. Overtightening can damage screws, greatly reducing their holding power.
- Never tighten in excess of 80 in. • lb (9 N.M.).
- Always attach concrete expansion anchors directly to load-bearing concrete.
- Never attach concrete expansion anchors to concrete covered with plaster, drywall, or other finishing material. If mounting to concrete surfaces covered with a finishing surface is unavoidable, the finishing surface must be counter bored as shown below. Be sure concrete anchors do not pull away from concrete when tightening screws. If plaster/drywall is thicker than 5/8" (16 mm), custom fasteners must be supplied by installer



- 2** Attach adapter brackets (**C**) to display using four M6 x 12 mm phillips screw (**I**) with nylon shoulder washers (**H**), or using four M8 x 15 mm phillips screws (**J**).



Attaching Adapter Brackets to Wall Plate

- 3** Hook adapter brackets (**C**) to wall plate (**A**). Slide adapter brackets (**C**) to position. Once display is located in desired position, secure with lock bracket (**B**) using two M5 x 10 mm socket pin Type F screws (**D**) to lock in place as shown in figure 3.2.

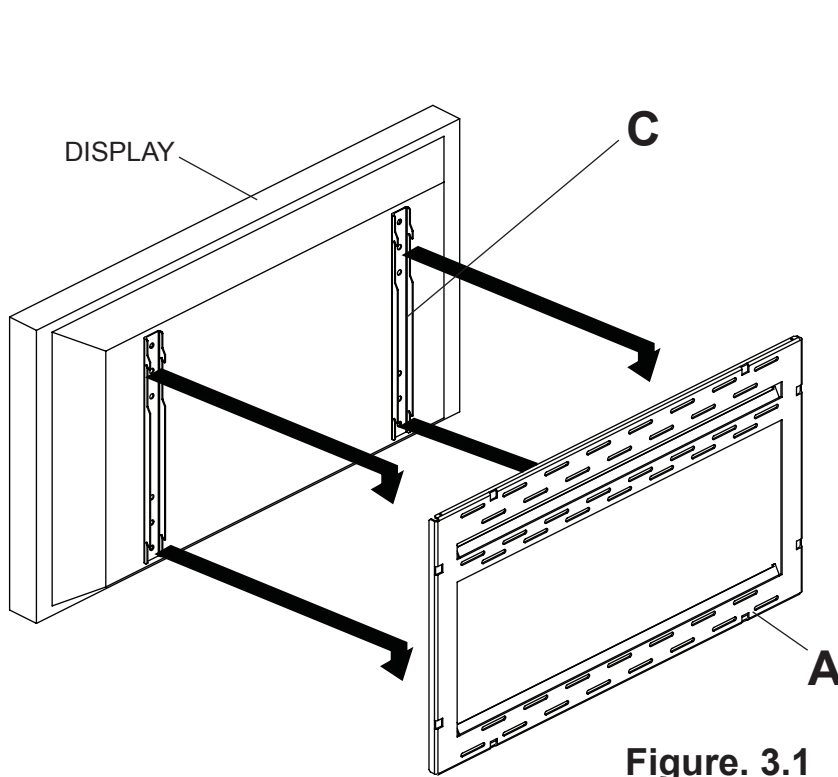


Figure. 3.1

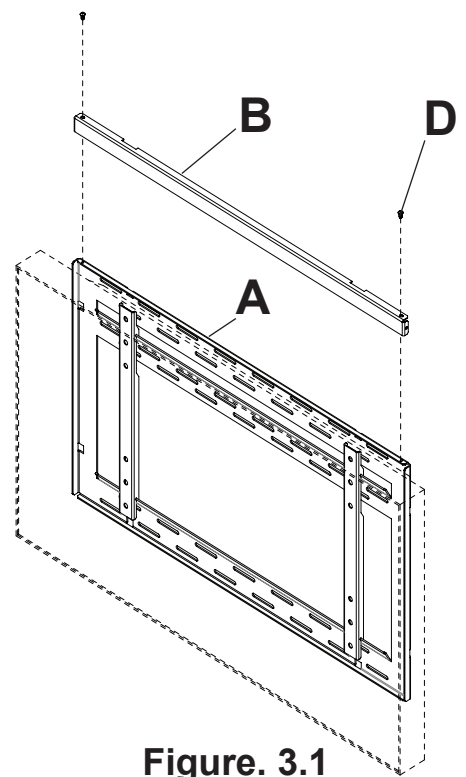


Figure. 3.1

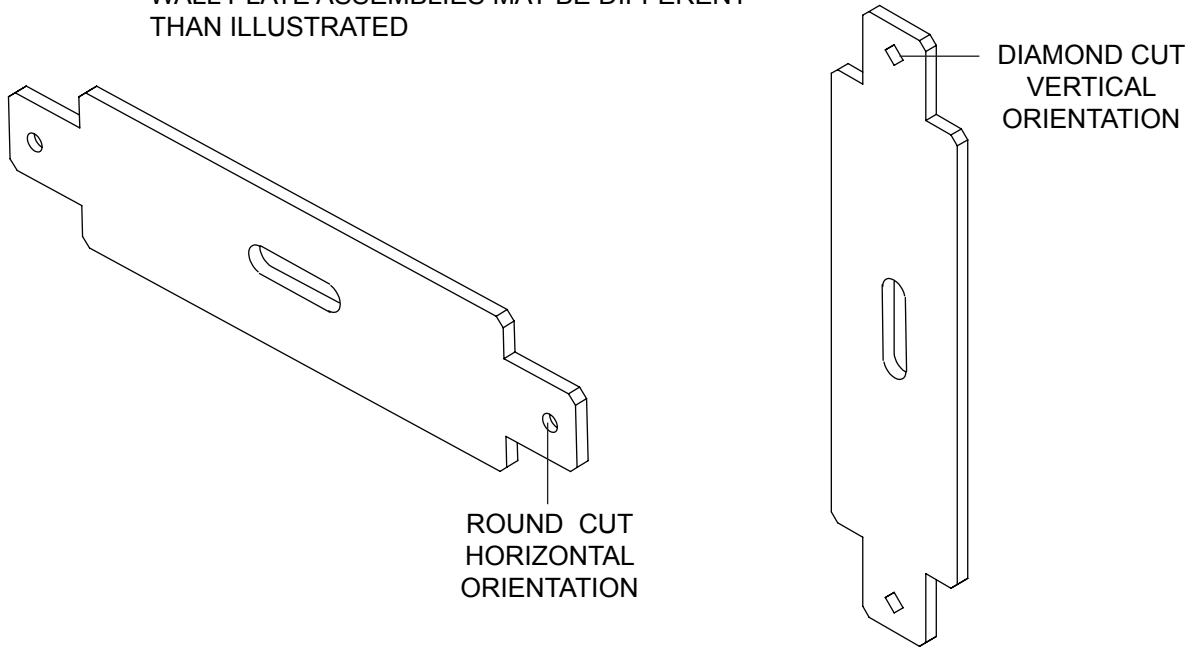
BACK FOR WALL PLATE
SUPPORTING SURFACE
NOT SHOWN FOR CLARITY

Optional for Multiple Displays: Installing Spacer Kit (Sold Separately)

- 4** Slide spacers into tab of mounted wall plate as shown. Keeping spacers flush against wall plate, fasten two #10 x 3/4" wood screws as shown. There must be two spacers placed on the same side as the additional wall plate. Align the tabs of the additional wall plate flush with the spacers. Follow main instruction for proper installation of additional wall plates.

NOTE: SUPPORTING SURFACE NOT SHOWN FOR CLARITY

WALL PLATE ASSEMBLIES MAY BE DIFFERENT THAN ILLUSTRATED



NOTE: ADDITIONAL WALL PLATES SOLD SEPARATELY

