

# Display Mount Guide










# Versatile Mounting Solutions for Every Application

InFocus mounts, stands, and display carts are designed for security, easy installation, and a range of uses in different meeting room spaces—from classrooms to conference rooms, and more. Select the option that best fits your display.

## Mobile Carts

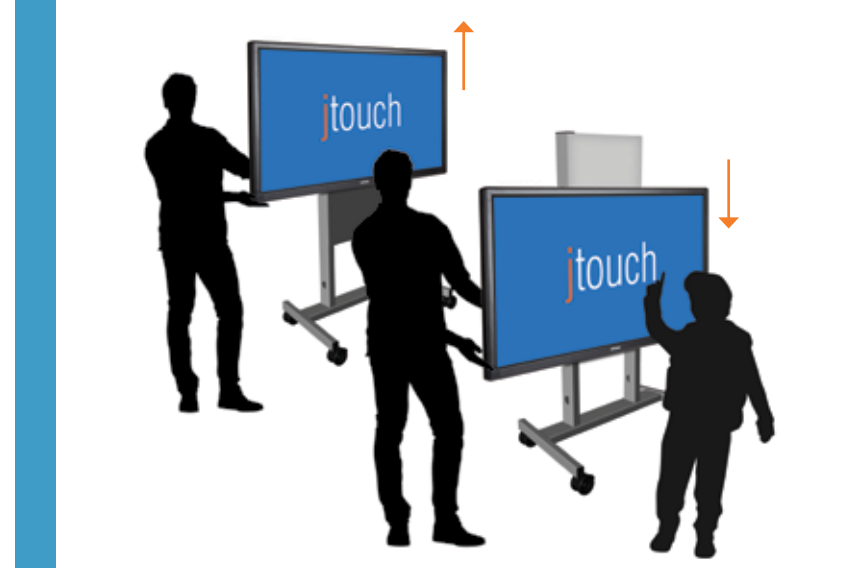
Choose a mobile cart to easily move your display where it's needed most. Our smooth rolling casters and angled base enable effortless positioning, even in corners.










Panel Size	55" - 75"				55" - 86"	
Case	 <p data-bbox="485 1203 604 1247">Mobile Cart INF-MOBCART</p>		 <p data-bbox="1016 1203 1283 1247">Pro Mobile Cart - Easily Adjustable INF-MOBCARTPRO-B</p>		 <p data-bbox="1566 1333 1871 1409">Deluxe Mobile Cart INA-MCARTDX Camera and Accessory Shelf Included</p>	
Accessories	 <p data-bbox="264 1474 506 1518">Top Mounting Camera Shelf INF-VIDSHELF</p>	 <p data-bbox="575 1474 835 1518">Base-Mounting Accessory Shelf INF-ACCYSHELF</p>	 <p data-bbox="873 1474 1140 1518">Camera Shelf - Top or Bottom Mount INF-VIDSHELF2</p>	 <p data-bbox="1199 1474 1388 1518">Pro Accessory Shelf INF-ACCYSHELFPRO-B</p>		

## Lift Assist Adjustable Mounts

Enable users of all ages and heights to comfortably interact with content on InFocus displays. Choose the Lift Assist mount to enhance ADA compliance or accessibility for students of all sizes in K-12 classrooms.




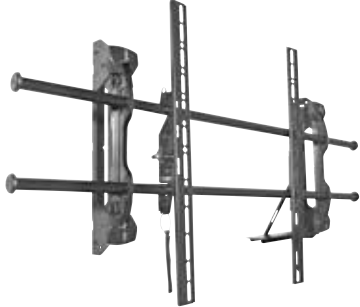

Panel Size	55" - 75"		85" and Up	
Mount	 <p>Adjustable Mount INA-MNTBB70</p>	 <p>Vesa Mount INA-VESABB</p>	 <p>Adjustable Mount INA-MNTBB138</p>	 <p>Vesa Mount INA-VESABBXL</p>
Add a Cart or Floor Support	 <p>Mobile Cart INA-CARTBB</p>	 <p>Floor Support for Non-Reinforced Walls (Maximum supported weight: 208lbs.) INA-SUPPORTBB</p>	 <p>Mobile Cart INA-CARTBBXL</p>	



## Wall Mounts

Choose a wall mount for a clean professional look that saves valuable space in the classroom or conference room.



Panel Size	55" - 75"	85" and Up
Mount	 Wall Mount INF-WALLMNT2	 Wall Mount INA-WALLMNT3
Accessories	 Camera Shelf - Top or Bottom Mount INF-VIDSHELF2	

Contact your InFocus reseller  
for more information, or visit [www.infocus.com](http://www.infocus.com).