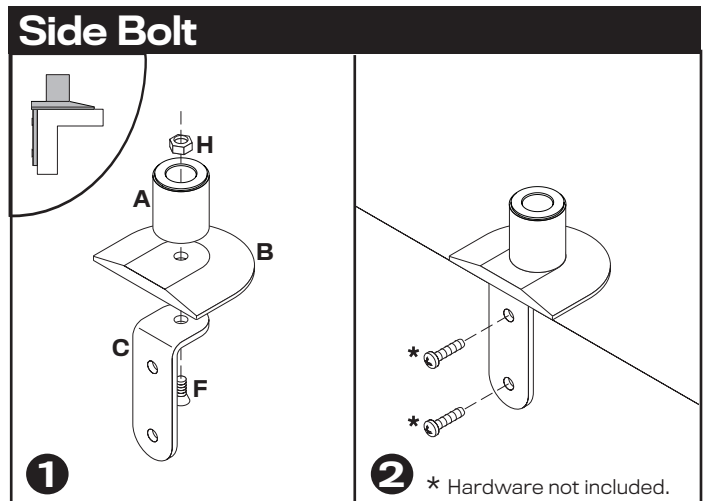
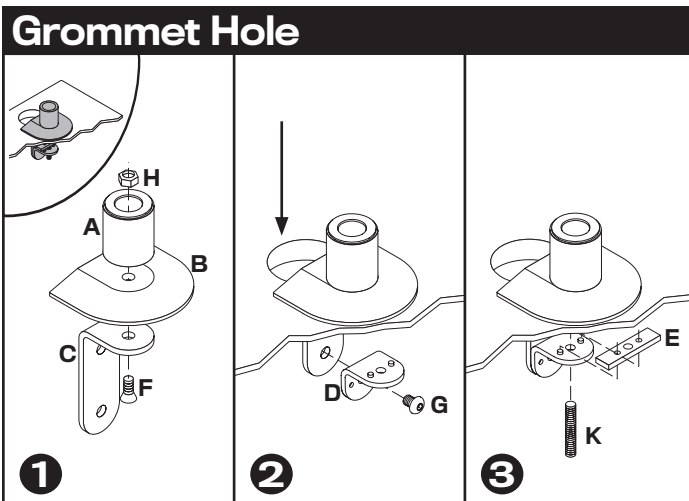
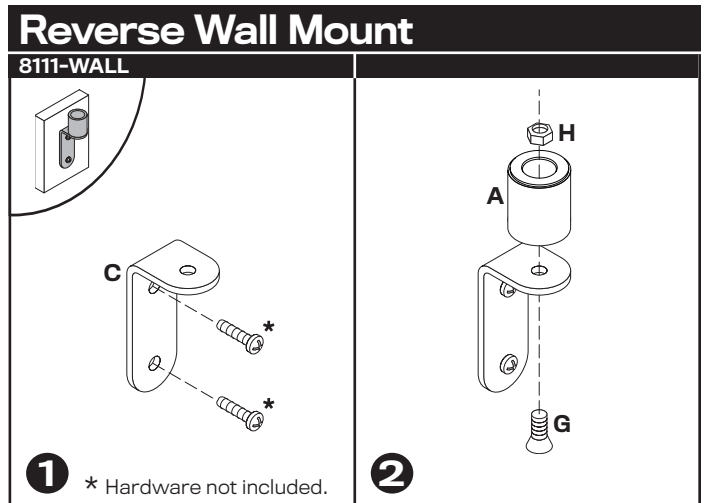
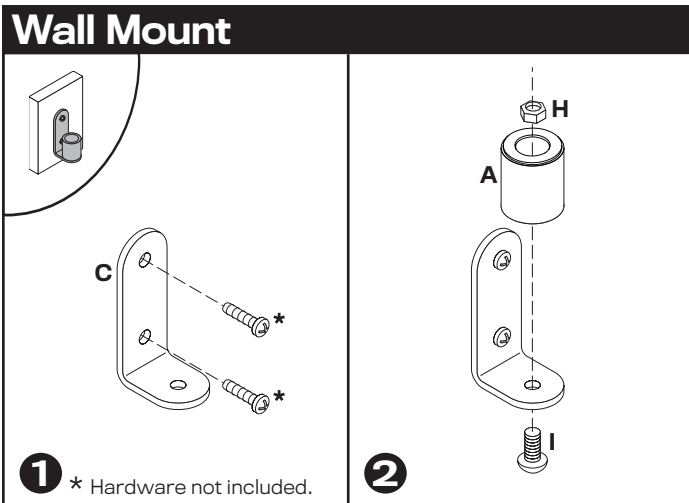
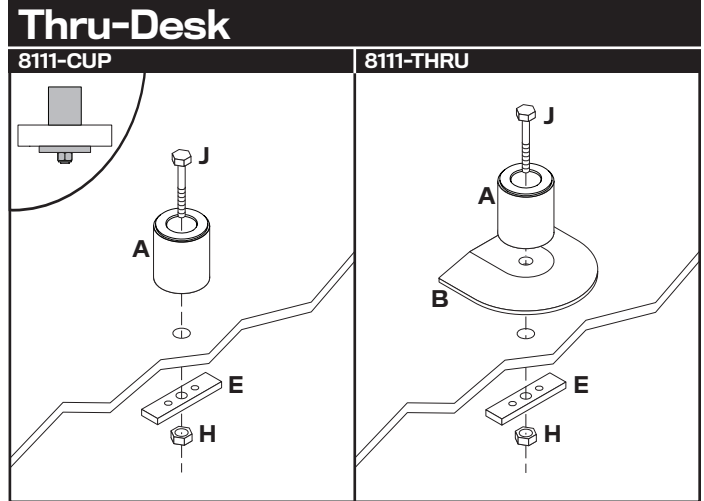
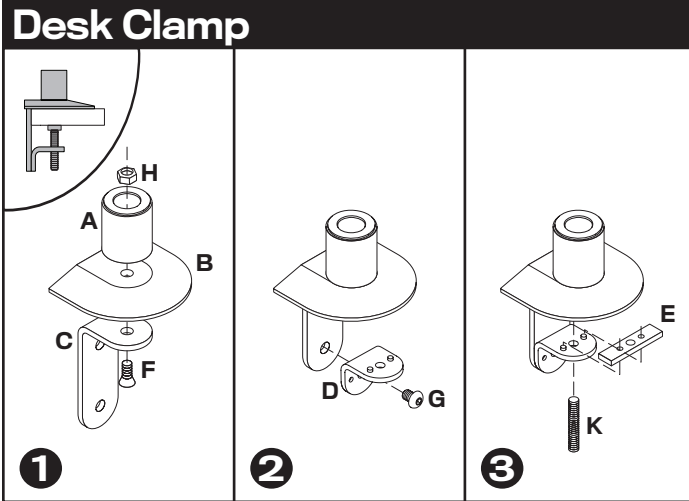
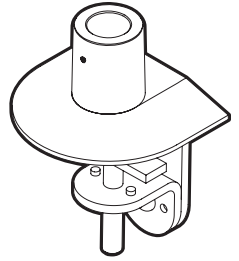


Innovative Ergonomic Solutions companies


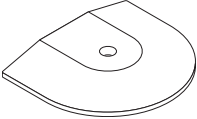
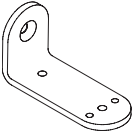
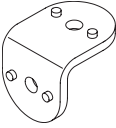
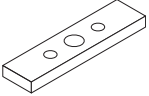
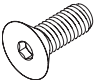
FLEXMOUNT® 8111

Installation Instructions

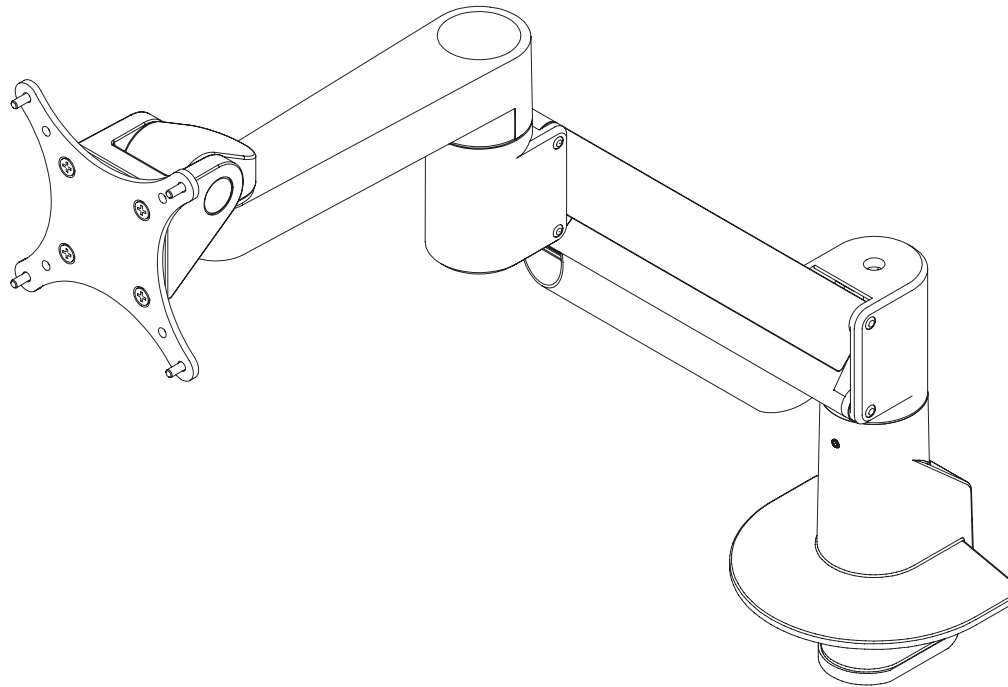


FLEXMOUNT® 8111

Parts List

ITEM QUANTITY	DESCRIPTION / PART NO.	
A	 Mount Column 401328	1
B	 Base Plate 406656	1
C	 Large "L" Bracket 701117	1
D	 Small "L" Bracket 111728	1
E	 Rectangular Spacer 701544	1
F	 3/8-16 x 1" Flat Socket Cap Screw 701124	1

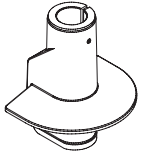
ITEM QUANTITY	DESCRIPTION / PART NO.	
G	 3/8-16 x 1/2" BHSCS 702898	1
H	 3/8-16 Nylon Stop Nut 701418	1
I	 3/8-16 x 7/8" Button Socket Cap Screw 701122	1
J	 3/8-16 x 2-1/2" Hex Head Bolt 700268	1
K 1	 1/2-13 x 3" Socket Set Screw 701126	1



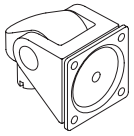
7000

Parts List

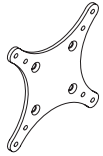
A Top Down Mount 1x
416092



B Monitor Tilter 1x
405397



C 75/100mm VESA Adapter Plate 4x
105587



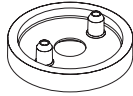
D 10-32 x 3/8" Phillips Flat Head Screw (4-pack) 1x
702281



E M4 x 12mm Phillips Pan Head Screw (4-pack) 1x
702096



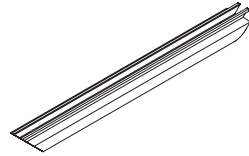
F Dog Washer 1x
105189



G 10-32 x 3/8" FPhMS w/Lock Patch 1x
705198



H Cable Cap 1x
114810



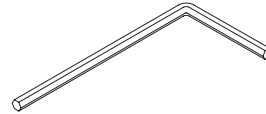
I 1/8" Allen Wrench 1x
701312



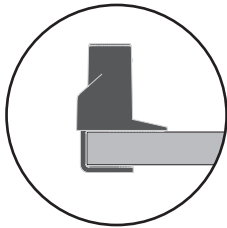
J 3/32" Allen Wrench 1x
700146



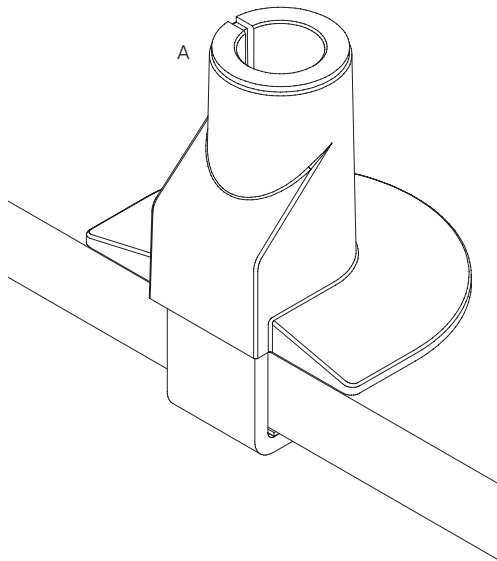
K 7/32" Allen Wrench 1x
701127



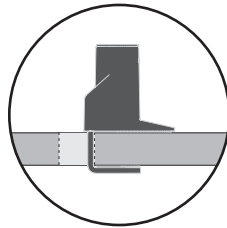
1



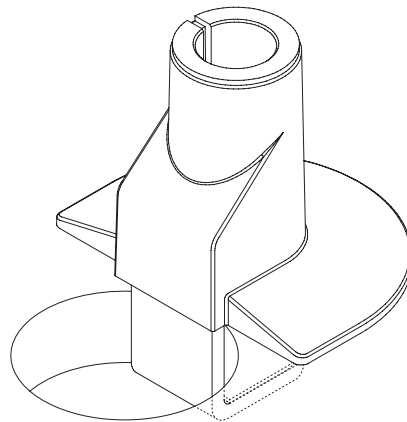
Desk thickness
up to 1.5" (3.8 cm)



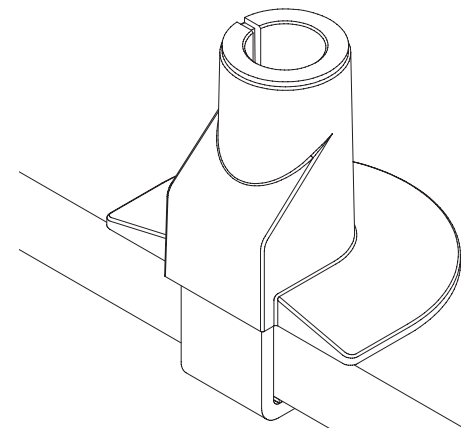
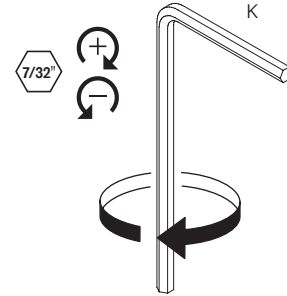
OR



Desk thickness
up to 1.5" (3.8 cm)

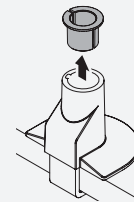


2

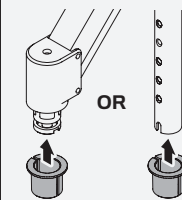


i If the monitor arm or pole does not easily fit into the mount, remove the bushing from the mount and place it on the monitor arm or pole and press firmly back into the mount.

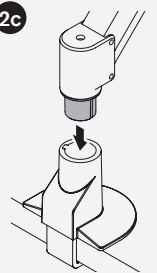
2a

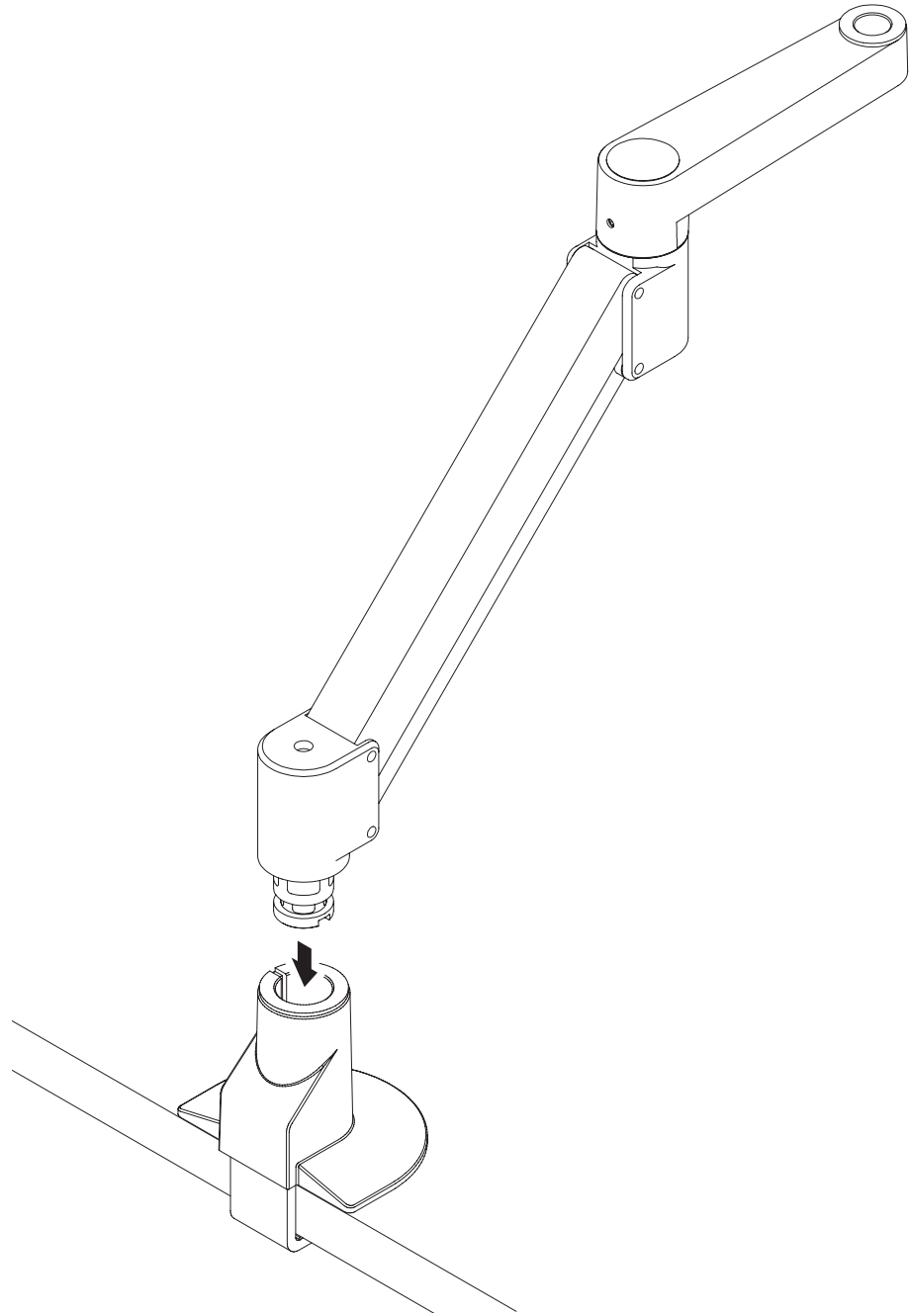


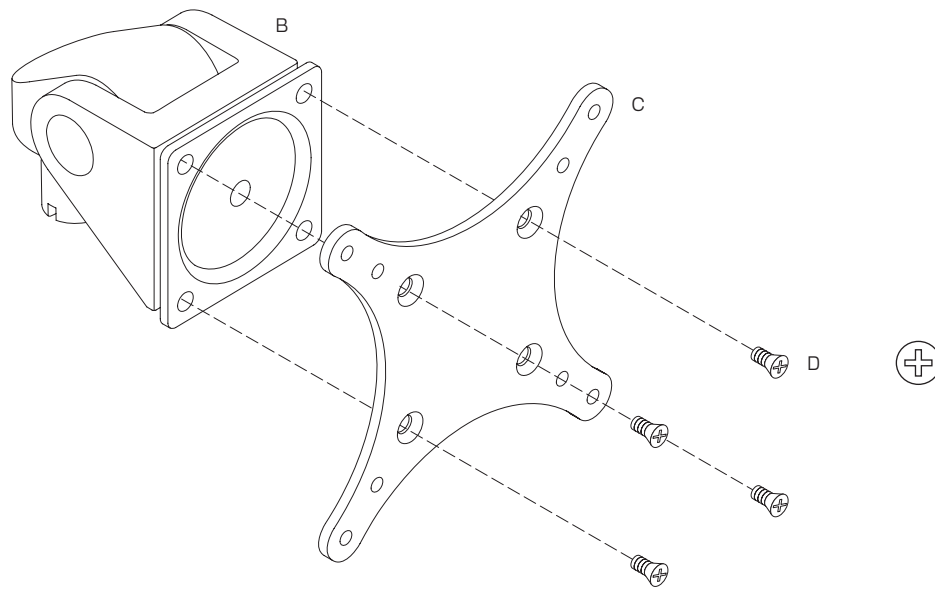
2b

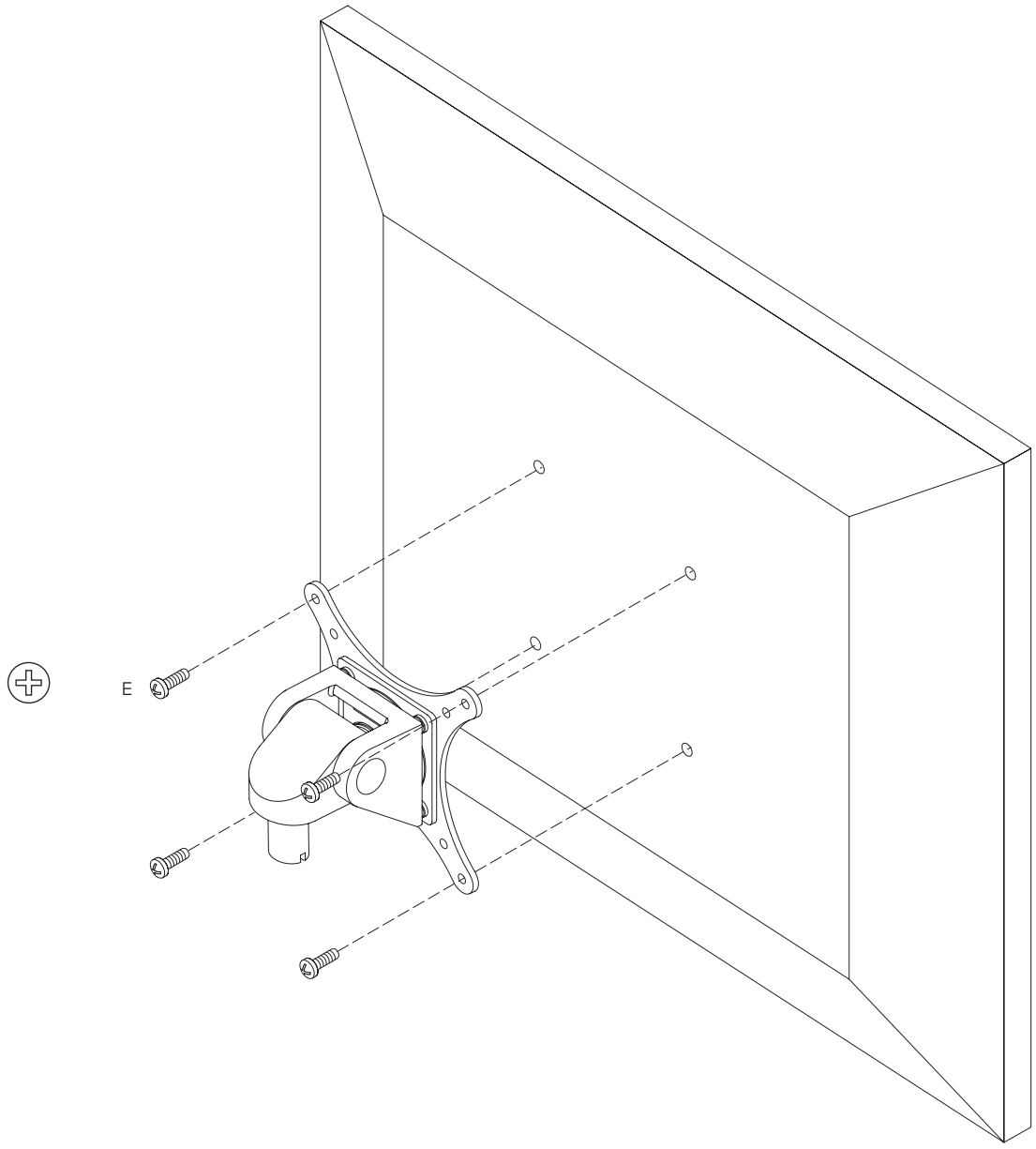


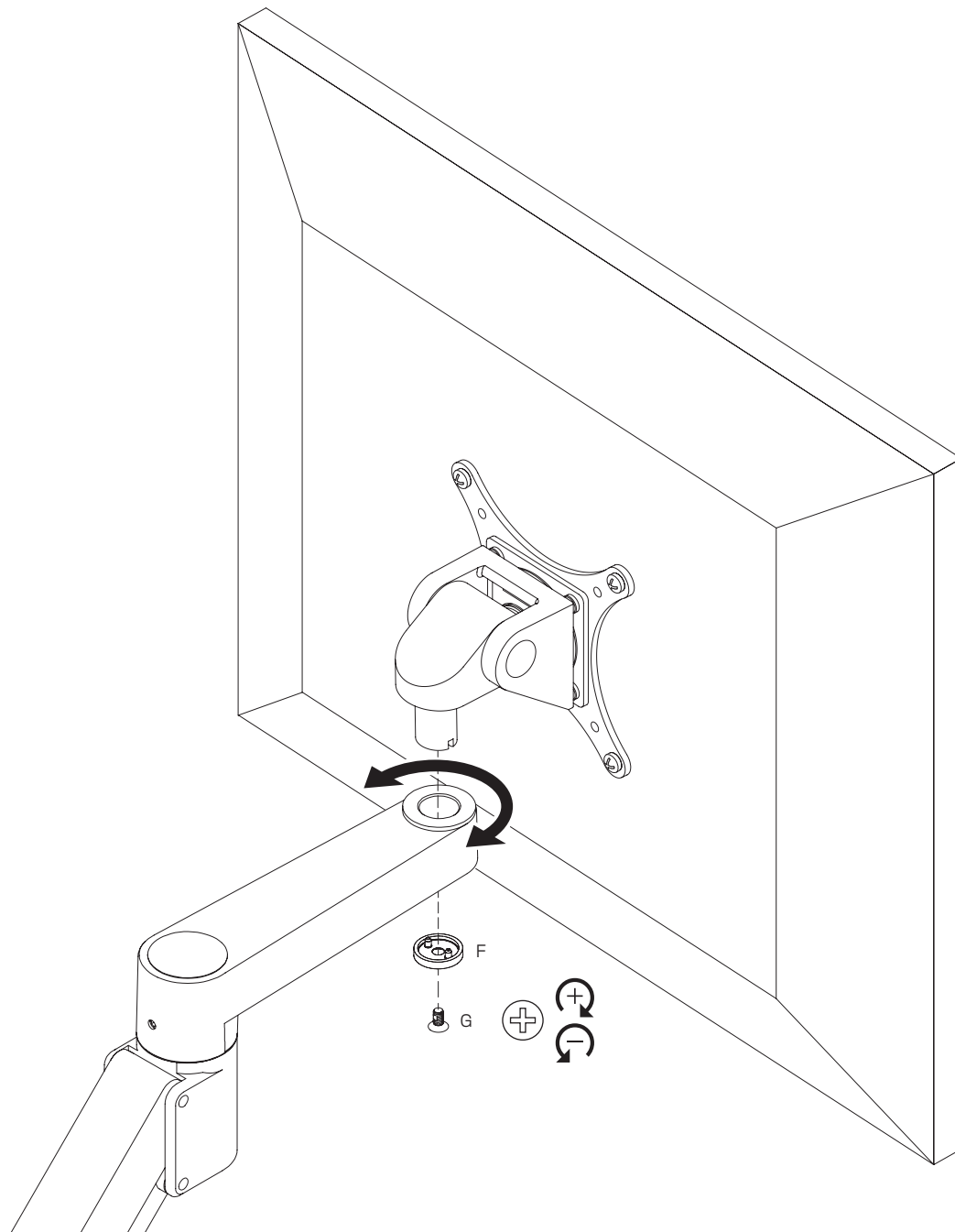
2c

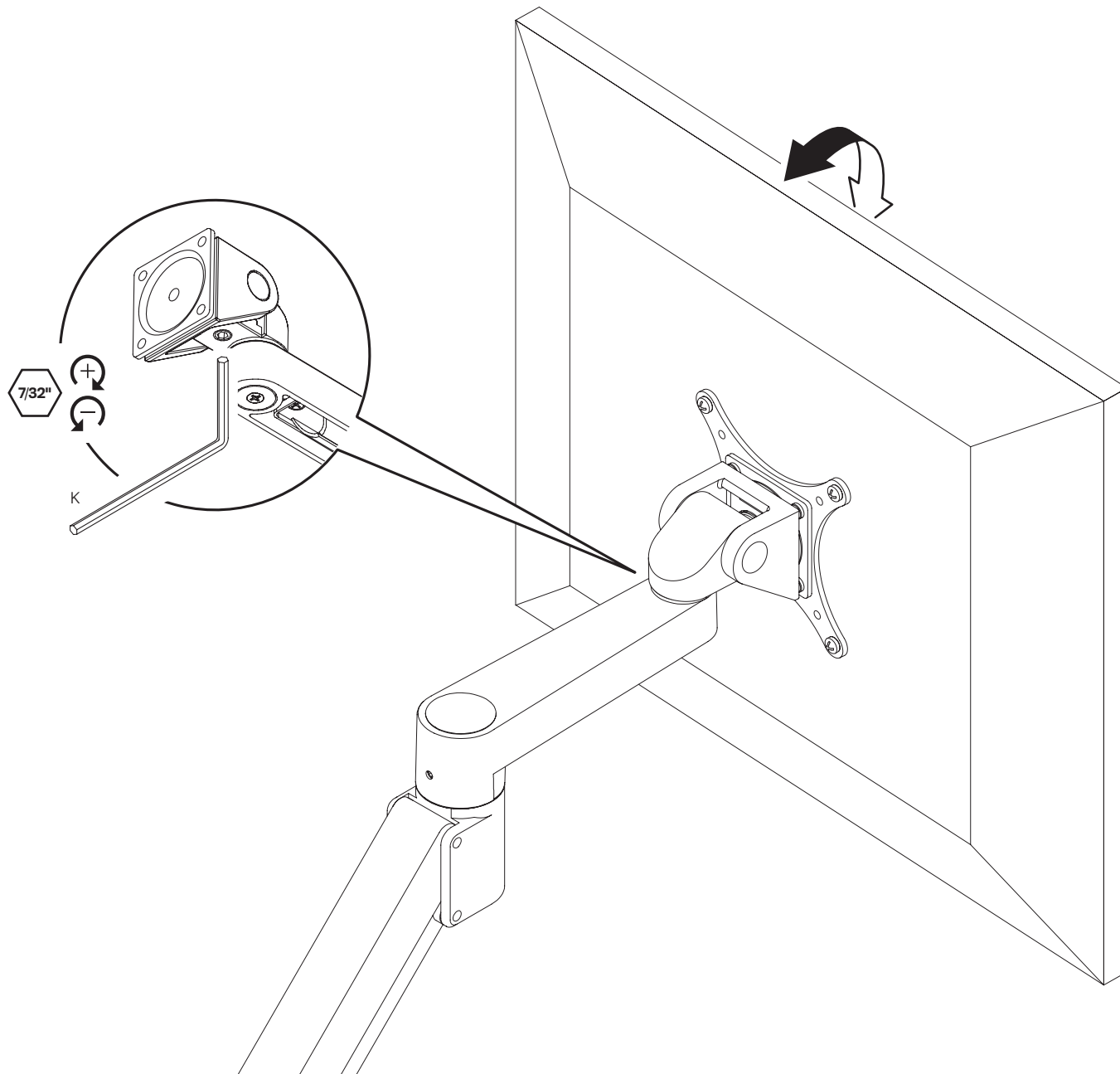






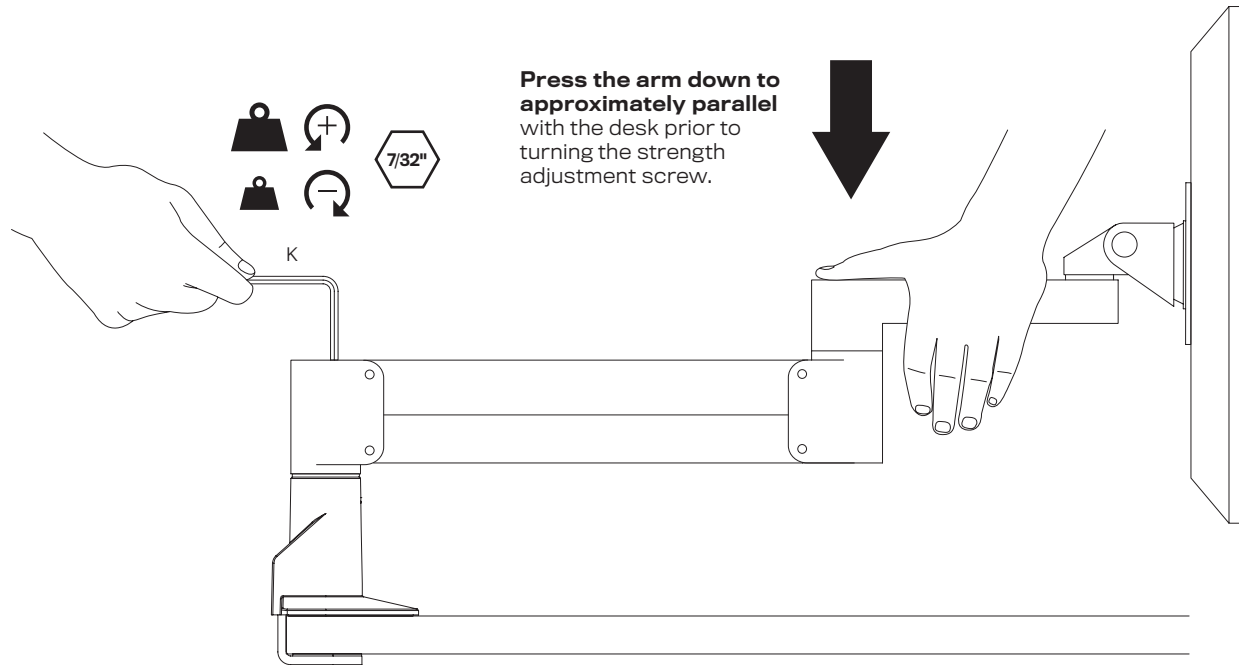
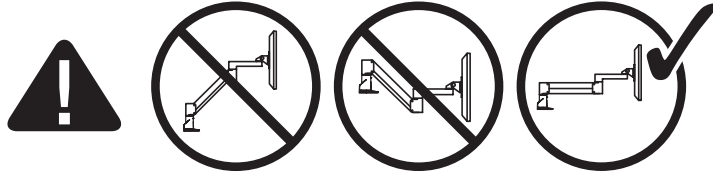




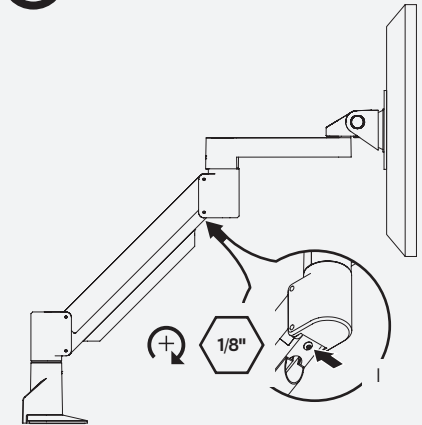


IMPORTANT!

- Monitor must be on arm
- Arm must be in mount

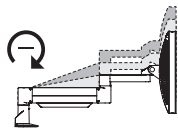


i Optional Adjustment

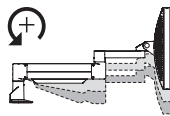


In some instances, an additional counterbalance adjustment may be needed to allow the arm's instant height adjustment function to work properly.

If your arm is not staying in position after performing step 8, tighten the adjustment screw as shown.

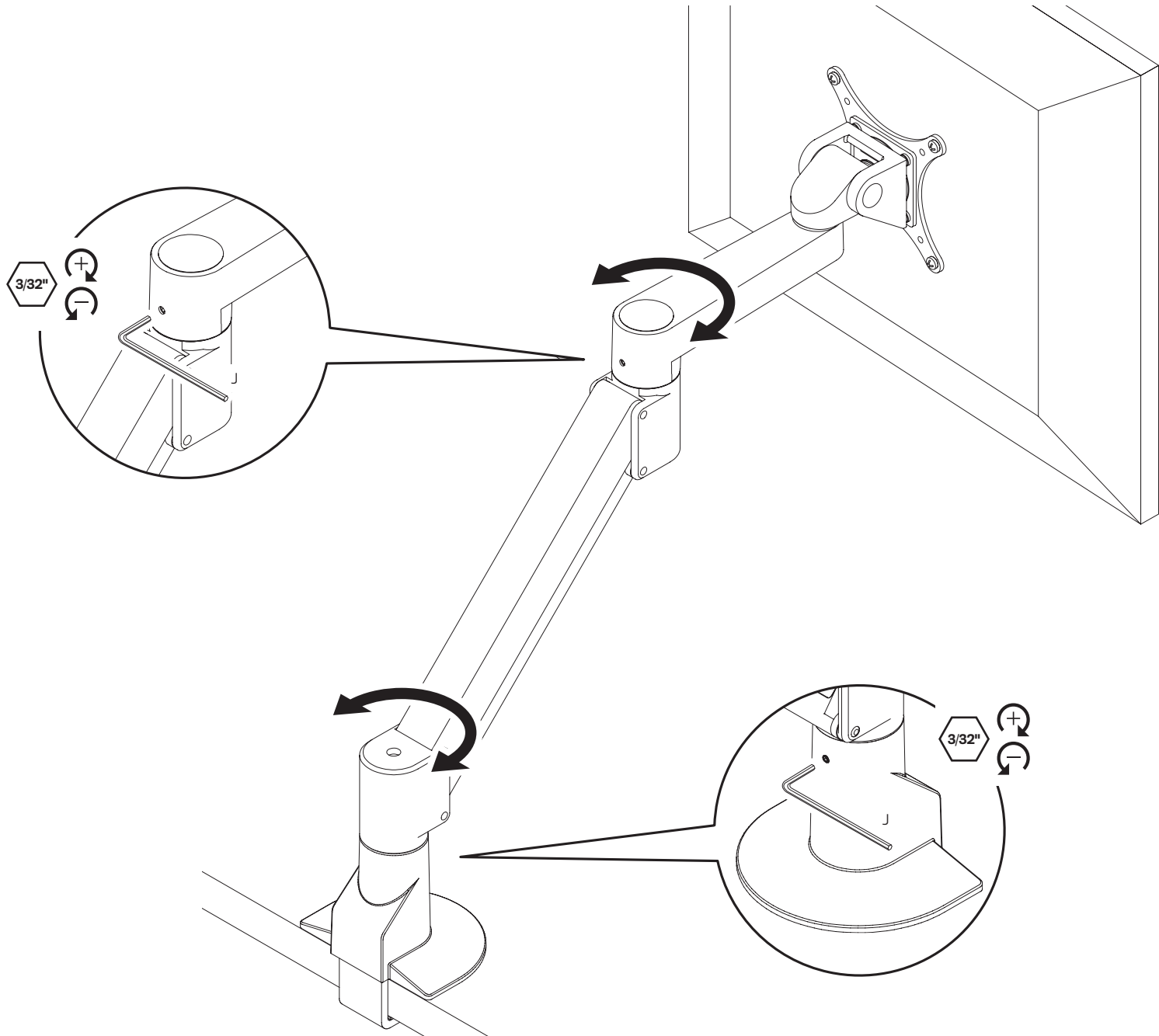


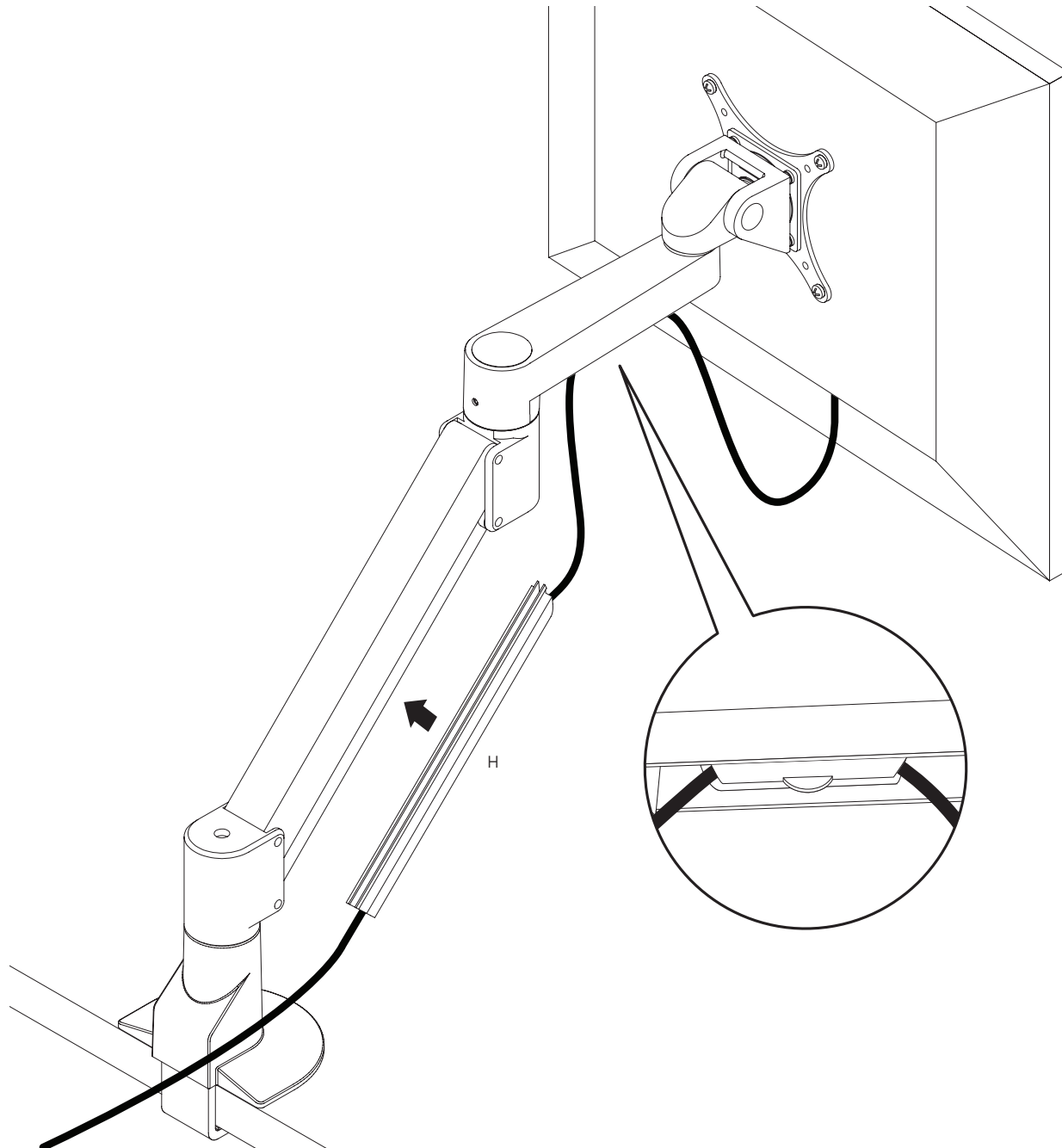
If the arm **drifts upward**, turn the adjustment screw clockwise.



If the arm **drifts downward**, turn the adjustment screw counter-clockwise.

Depending on the weight of your monitor, **you may have to make 15-20 turns.**

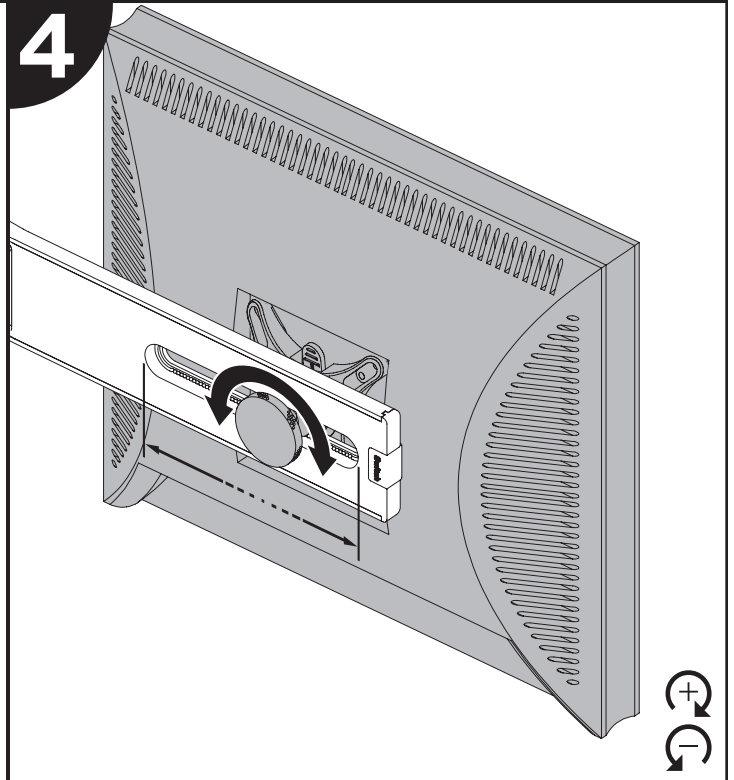
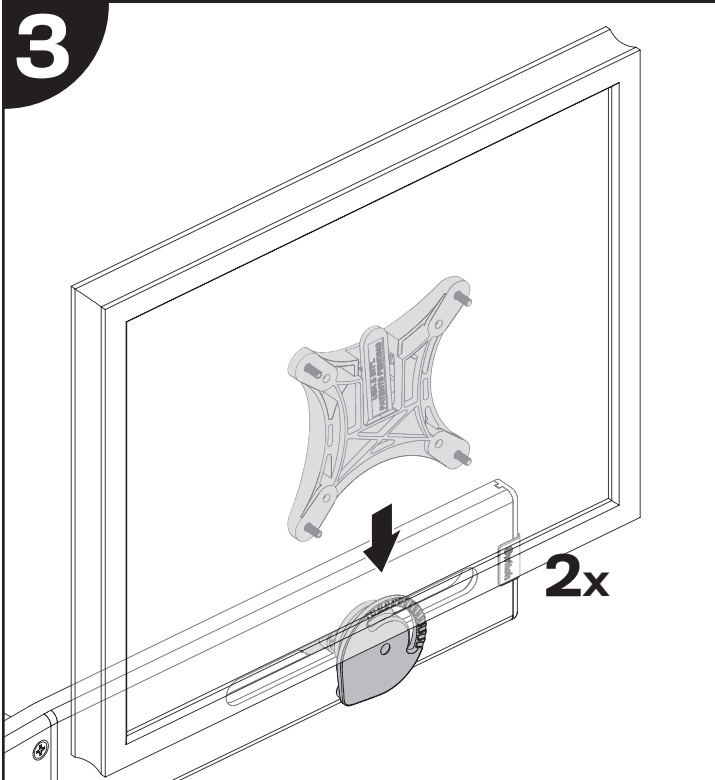
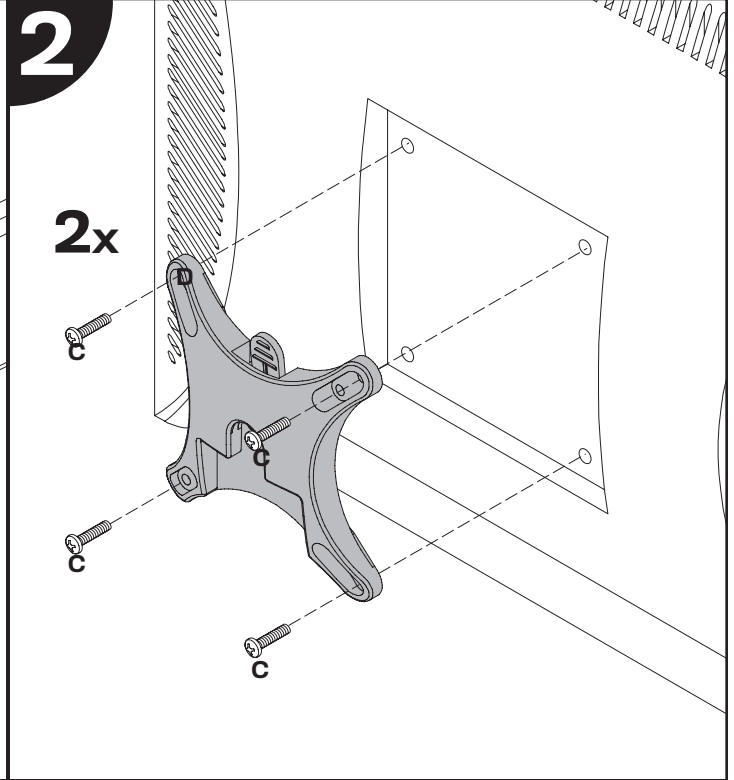
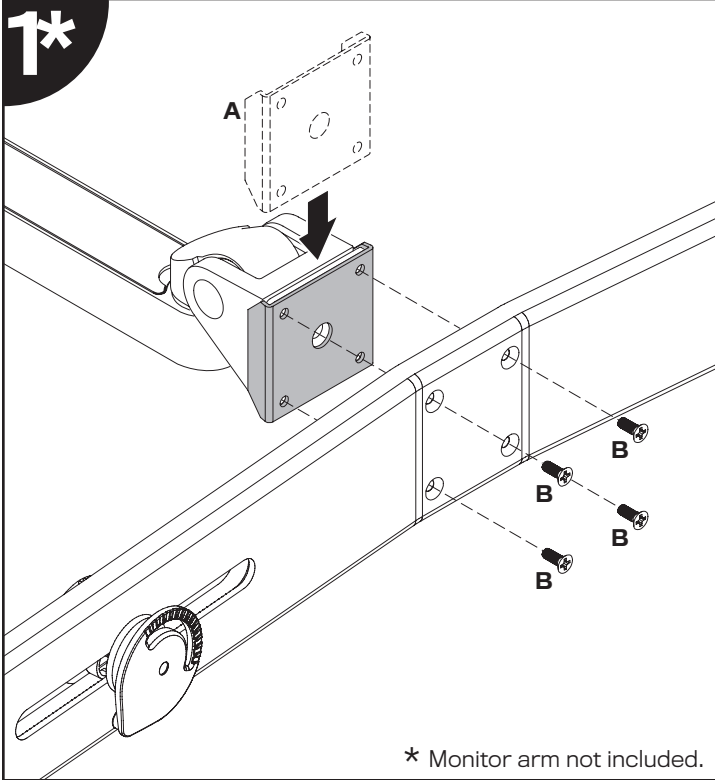
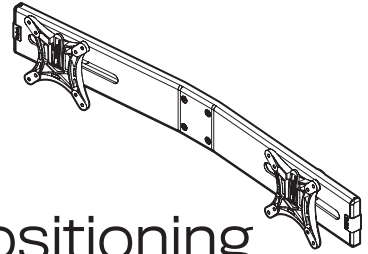




Innovative Ergonomic Solutions companies

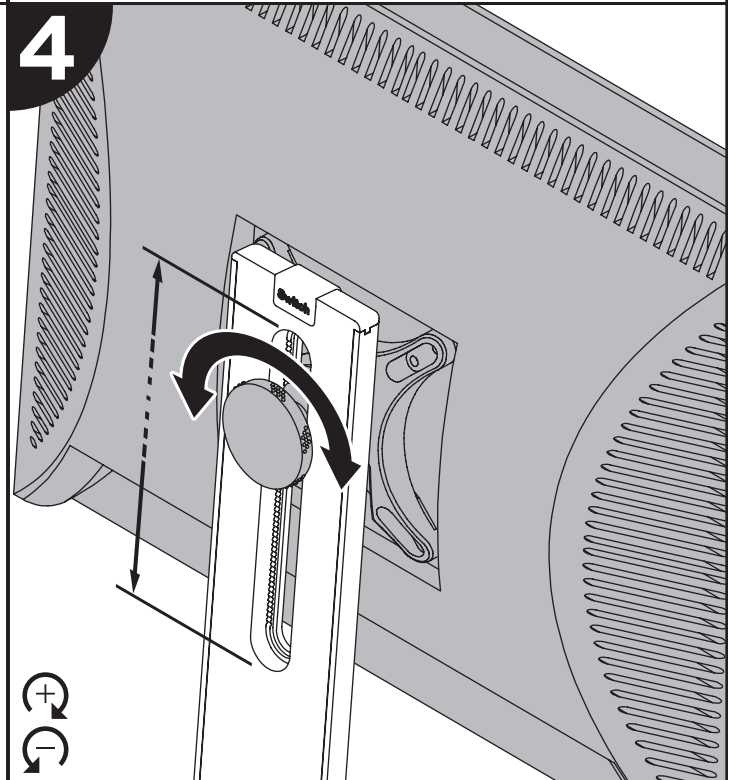
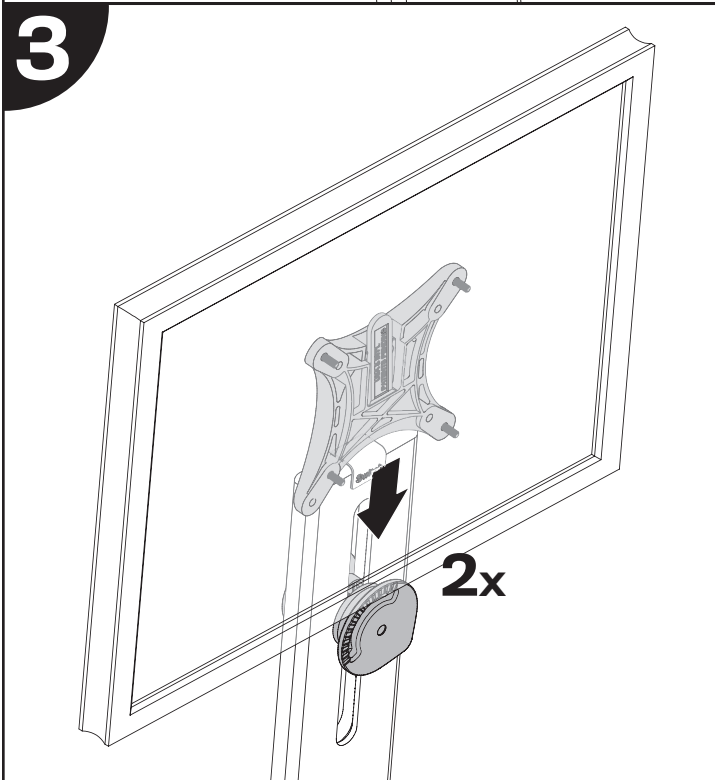
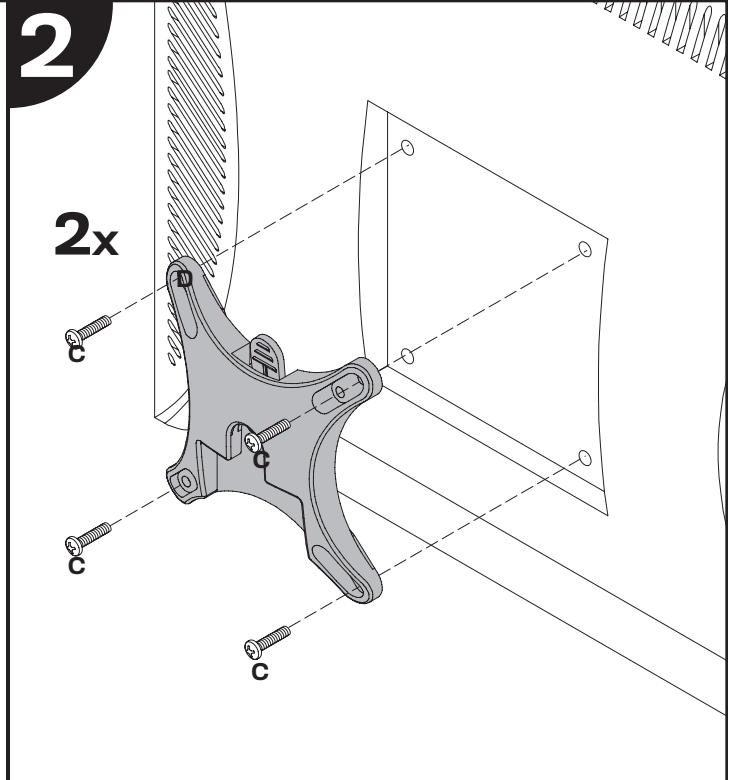
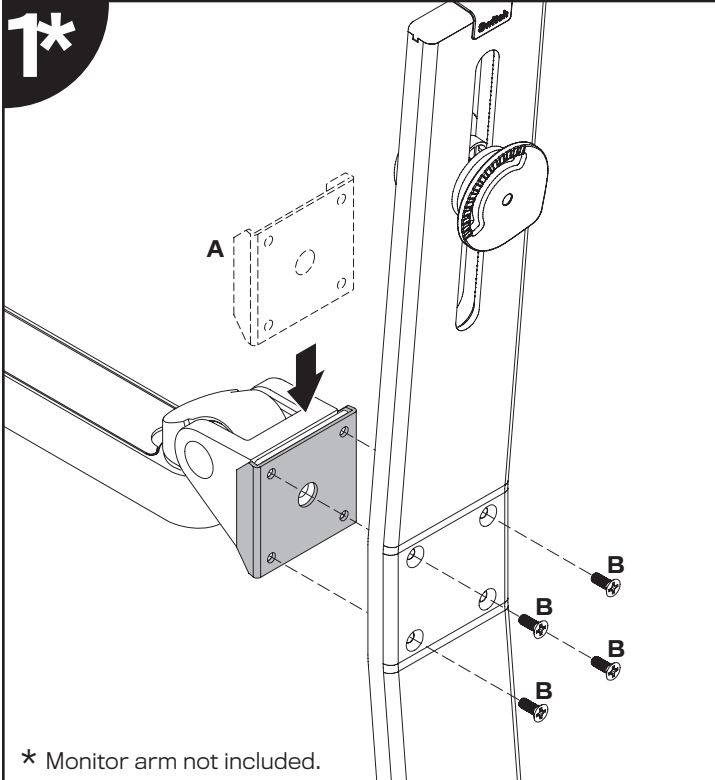
SWITCH™

Installation Instructions | Horizontal Positioning



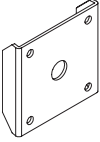
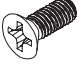
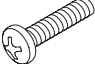
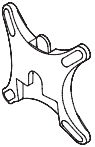
SWITCH™

Installation Instructions | Vertical Positioning



SWITCH™

Parts List

ITEM	DESCRIPTION / PART NO.	QUANTITY
A 	Rotation Prevention Bracket 106271	1
B 	10-32 x 1/2" FPhMS 709129	4
C 	M4 x 12mm Pan Head Screw 701153	8
D 	75/100mm VESA® Adapter 109464	2