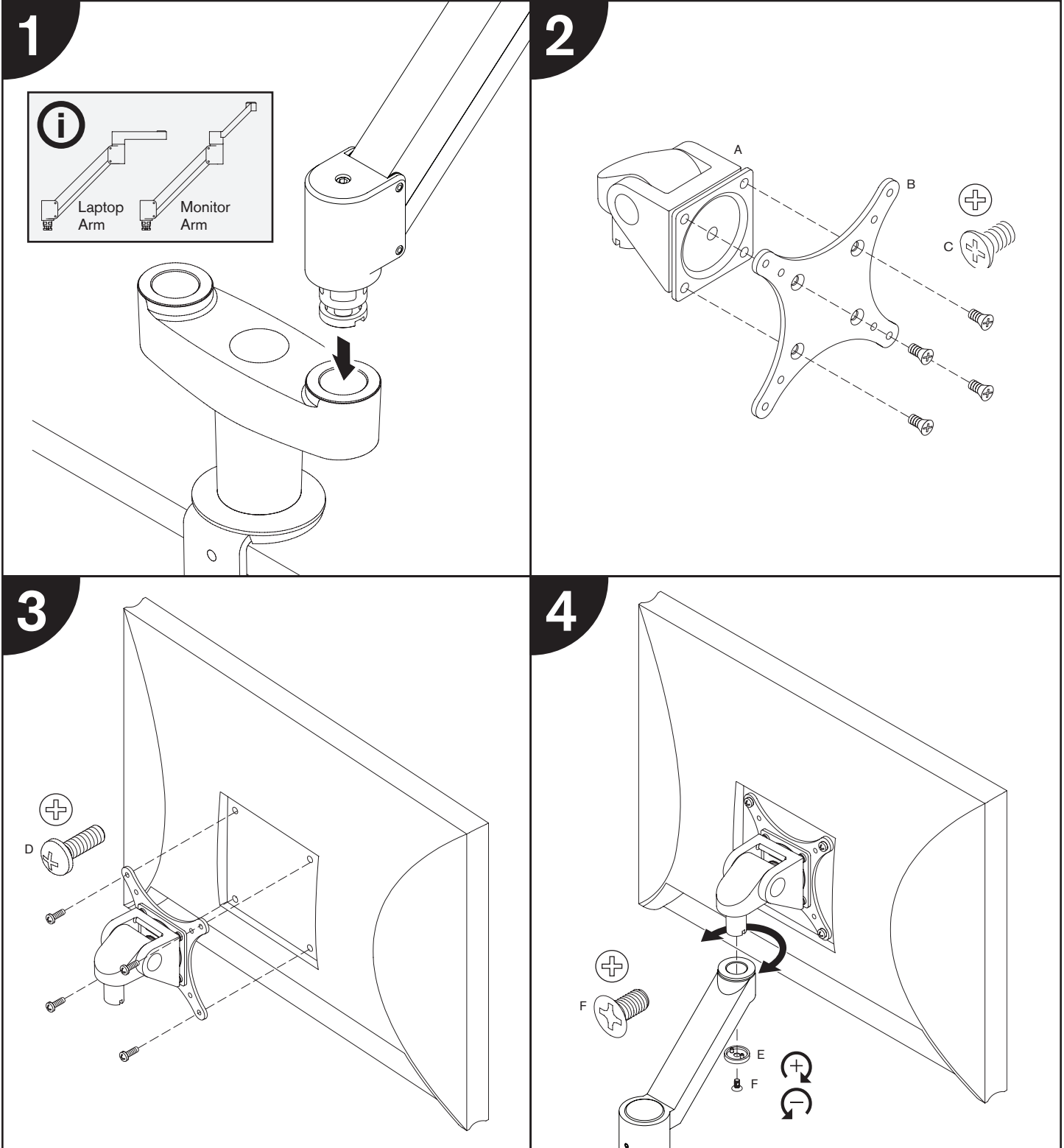
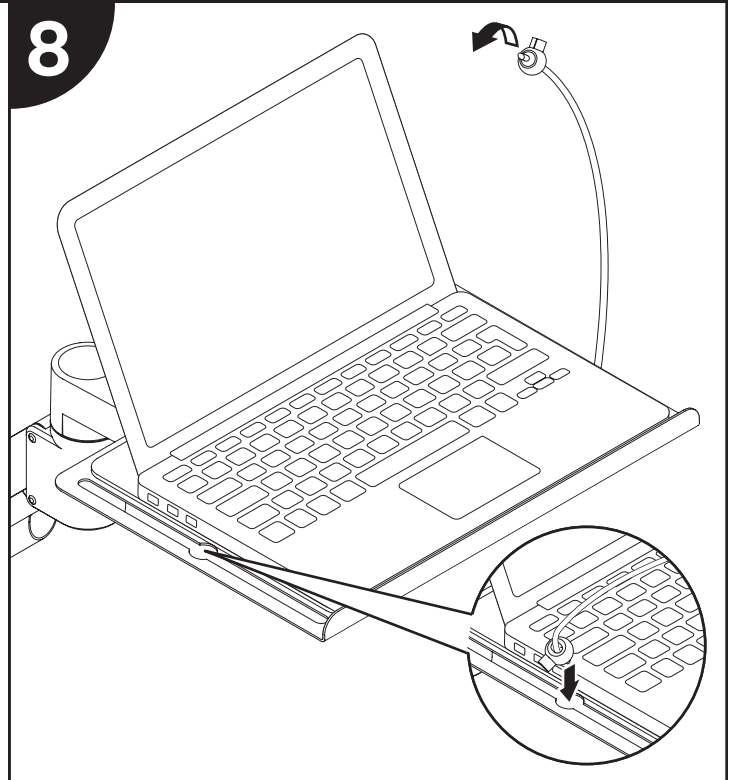
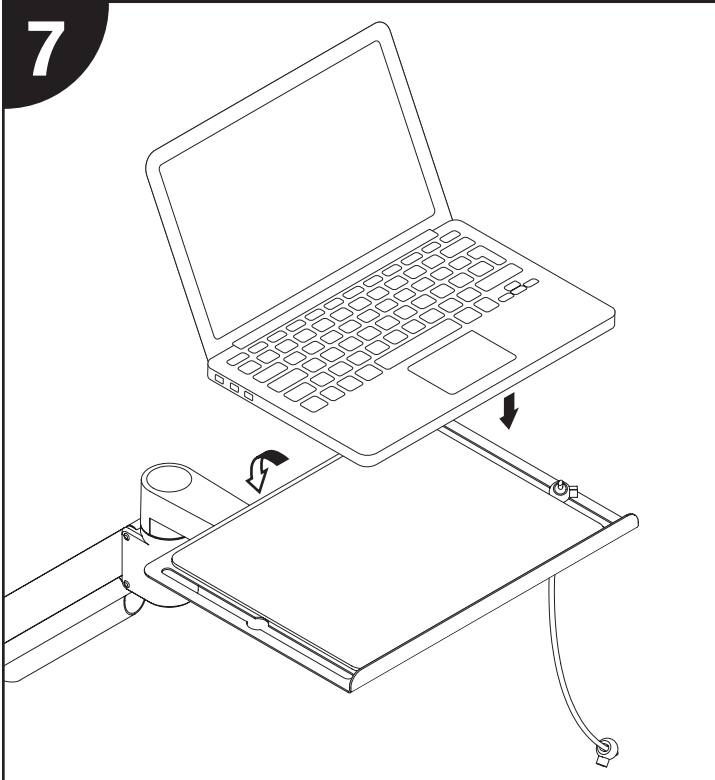
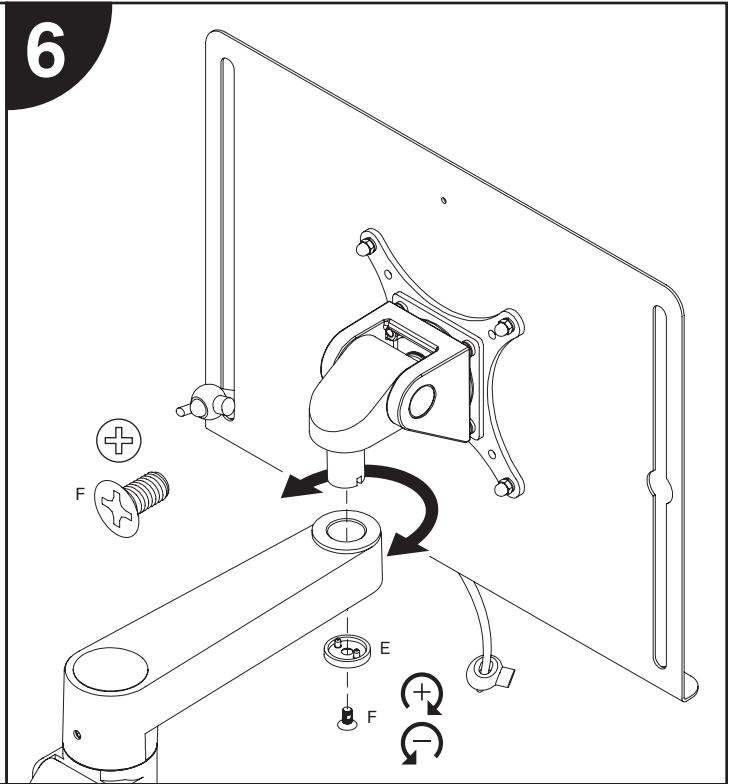
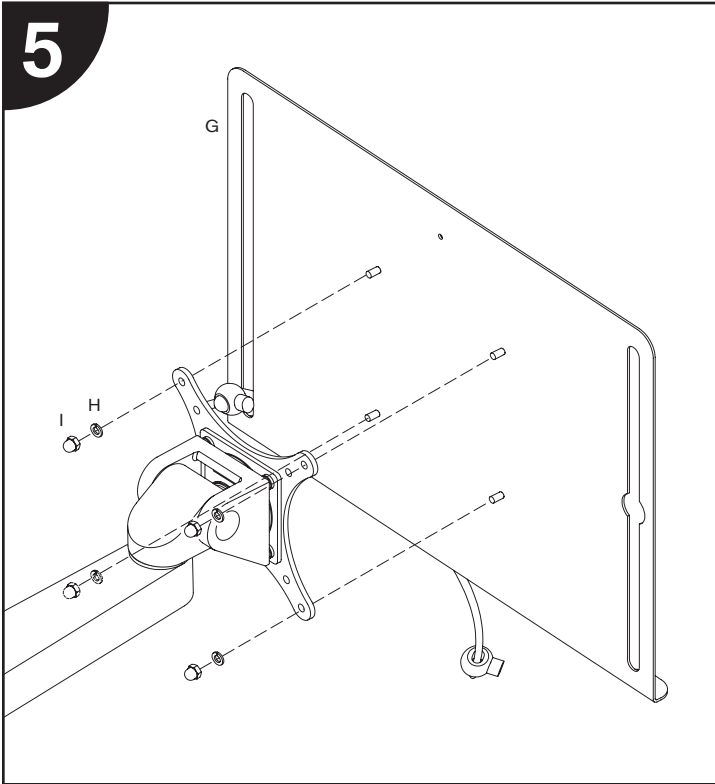
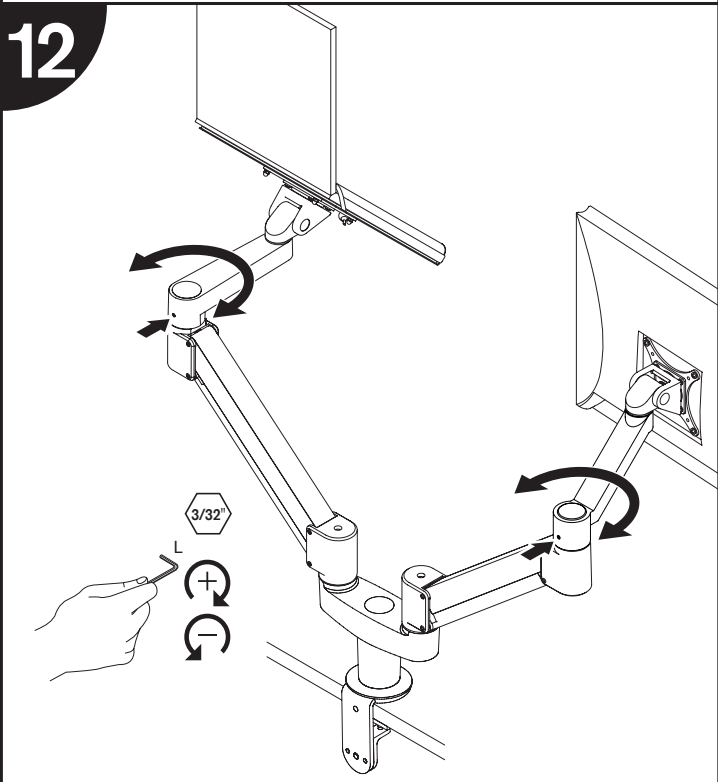
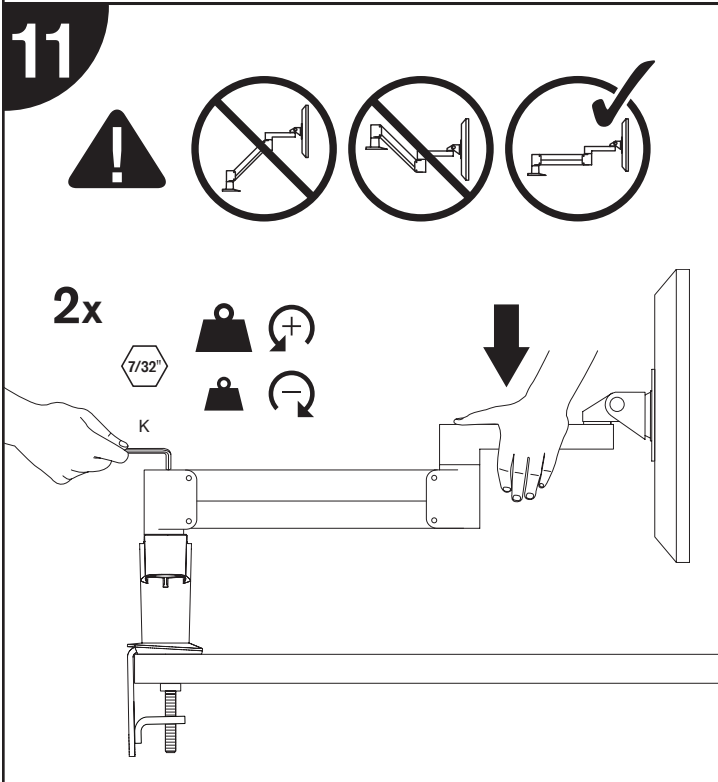
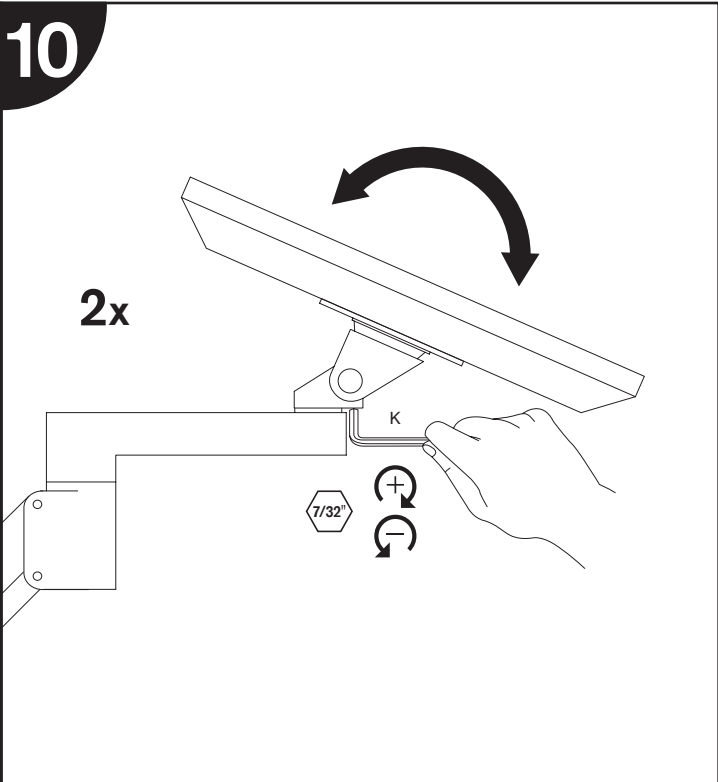
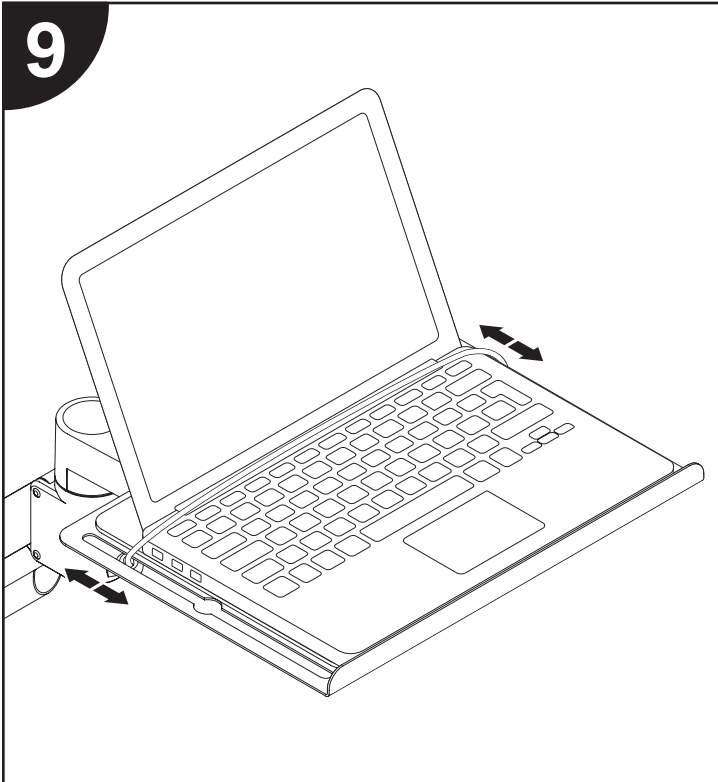


MODEL 7050

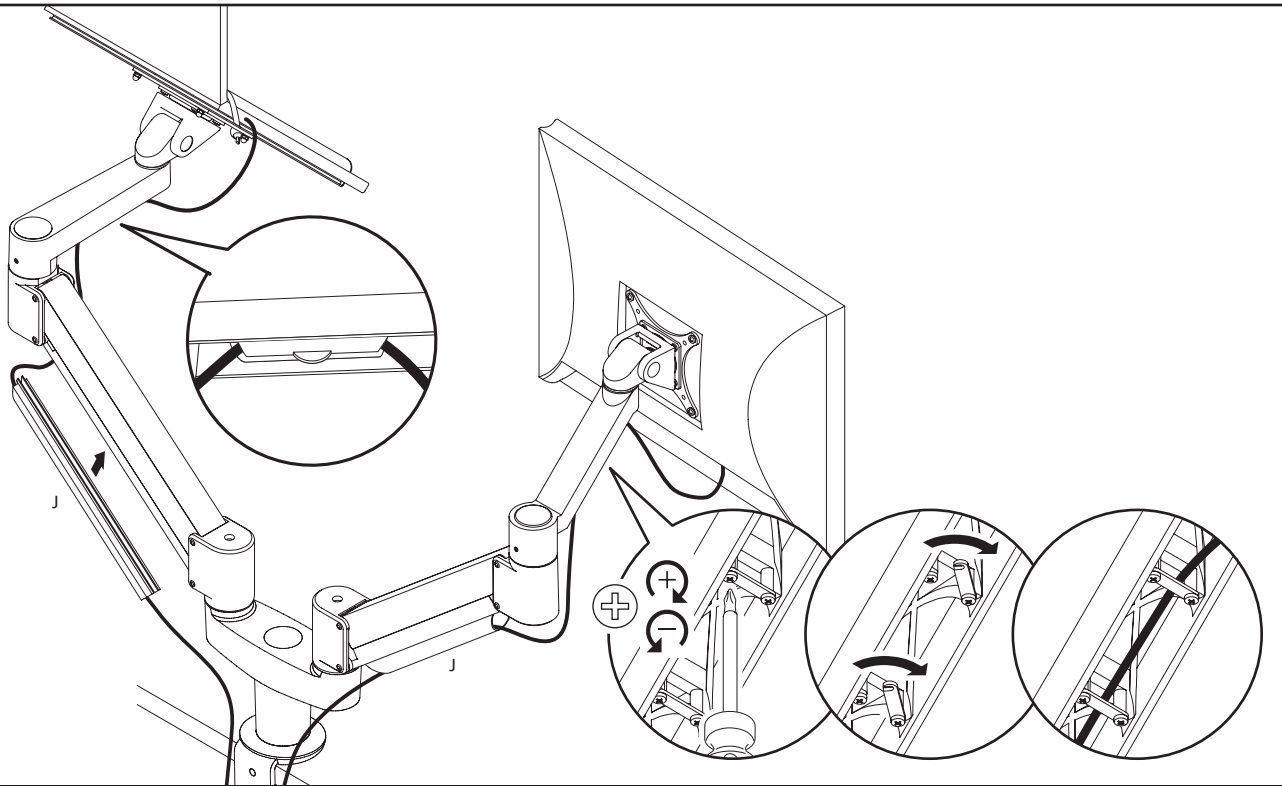
Installation Instructions





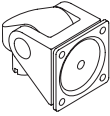


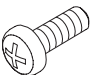
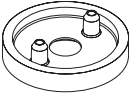



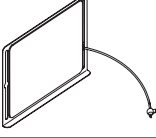


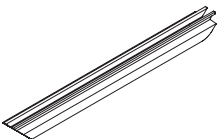
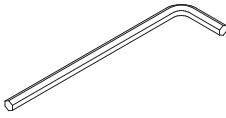

13



MODEL 7050

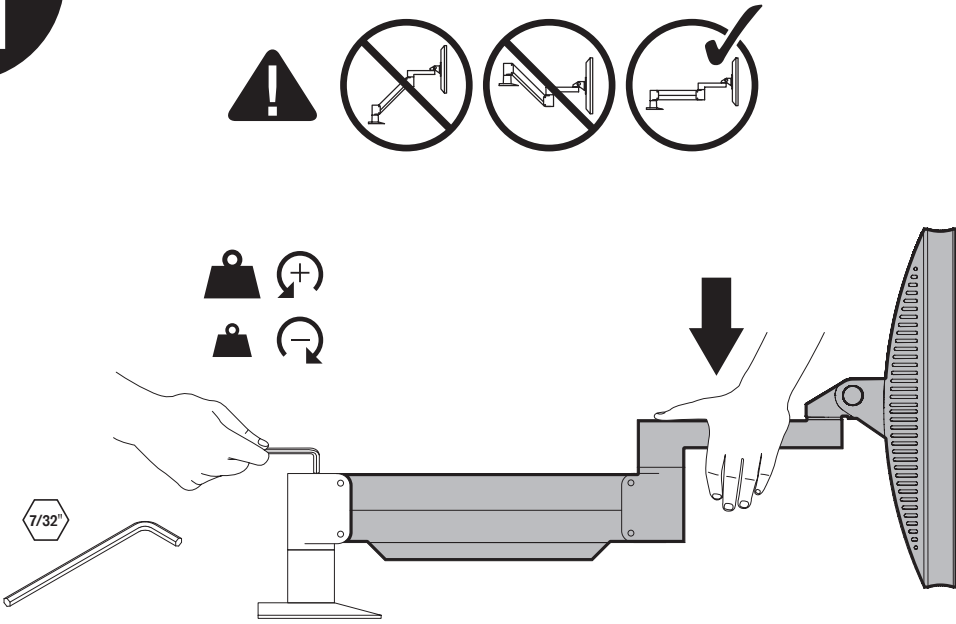
Parts List

ITEM	DESCRIPTION / PART NO.	QUANTITY
A	 Monitor Tilter 405397	2
B	 75/100mm VESA® Adapter Plate 105587	2
C	 10-32 x 3/8" Phillips Flat Head Screw 702281 (4-pack)	2
D	 M4 x 12mm Phillips Pan Head Screw 702096 (4-pack)	1
E	 Dog Washer 105189	2
F	 10-32 x 3/8" FPhMS w/Lock Patch 705198	2

ITEM	DESCRIPTION / PART NO.	QUANTITY
G	 Laptop Holder 8510	1
H	 Split Washer 701910	4
I	 Acorn Nut 705128	4
J	 Cable Cap 114810	2
K	 7/32" Allen Wrench 701127	1
L	 3/32" Allen Wrench 700146	1

How do I counterbalance my arm?

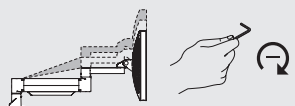
1



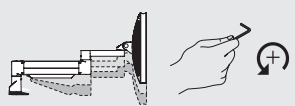
IMPORTANT!

- Monitor must be on arm
- Arm must be in mount

Press the arm down to **approximately parallel** with the desk prior to turning the strength adjustment screw.



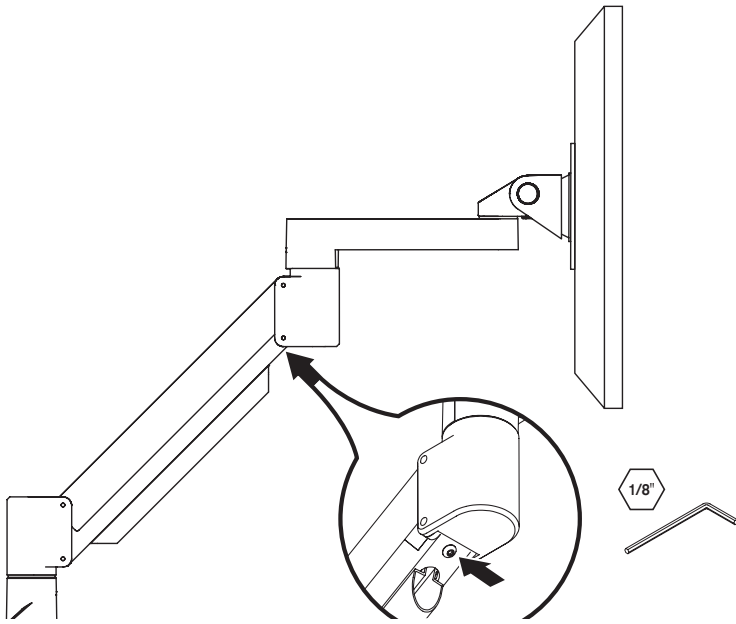
If the arm **drifts upward**, turn the adjustment screw **clockwise**.



If the arm **drifts downward**, turn the adjustment screw **counter-clockwise**.

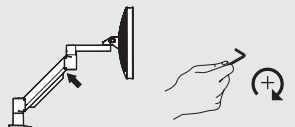
Depending on the weight of your monitor, **you may have to make 15-20 turns**.

2



In some instances, an additional counterbalance adjustment may be needed to allow the arm's instant height adjustment function to work properly.

If your arm is not staying in position after performing step 1, tighten the adjustment screw as shown.



Tighten the adjustment screw.