

9136-S

MONITOR ARMS



HAT
DESIGN WORKS™
HUMAN ACTIVE TECHNOLOGY

SPACE-SAVING ERGONOMIC COMFORT.

Save valuable desk space and work in greater ergonomic comfort by elevating your monitor above the work surface with the 9136-S pole mount. This height adjustable monitor arm allows the users to pivot and tilt the monitor for optimal viewing. Easily position the monitor at any height along the 14" pole mount.



FEATURES

- **Adjustable:** Features adjustable tension at joints, ideal for touch-screen applications.
- **Flexible:** Monitor arm includes FLEXmount with six mounting options in one kit.
- **Compatible:** VESA-monitor compatible – 75mm & 100mm VESA adapter included.

SPECIFICATIONS

Finishes

- Silver 124
- Vista Black 104

Dimensions

Screen Size: Up to 32"
 Height Adjustment: Adjusts anywhere along pole
 Extension Range: 5.7"
 Weight Capacity: Up to 45 lbs.
 Mount: Desk Edge, Thru-Desk, Grommet, Wall, Reverse Wall, Side Bolt

Part Numbers

9136-S-14-FM-__ _

WARRANTY

10 Years



Integrated cable management

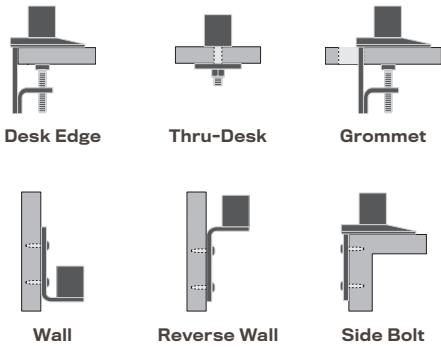
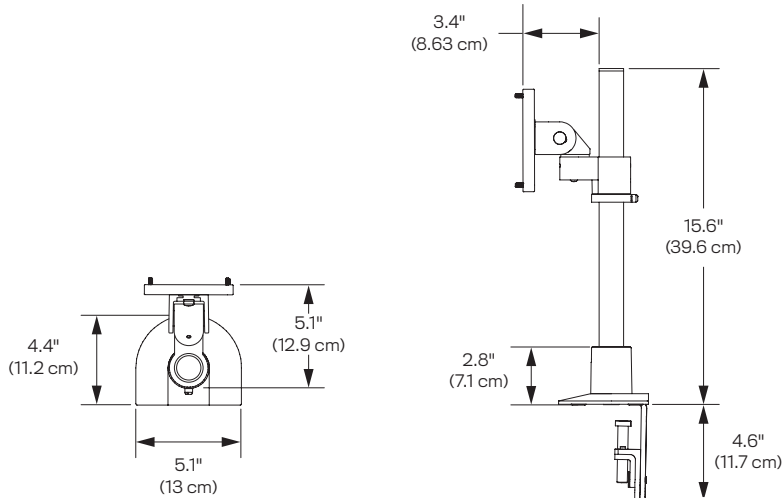


Space-saving design



Choose from six mounting options in one kit

CAPABILITIES



9136-D

MONITOR ARMS



HAT
DESIGN WORKS™
HUMAN ACTIVE TECHNOLOGY

SPACE-SAVING ERGONOMIC COMFORT.

Save valuable desk space and work in greater ergonomic comfort by elevating your monitors above the work surface with the 9136-D pole mount. This height adjustable monitor arm allows the users to pivot and tilt the monitor for optimal viewing. Easily position the monitor at any height along the 28" pole mount.



FEATURES

- **Adjustable:** Features adjustable tension at joints, ideal for touch-screen applications.
- **Flexible:** Monitor arm includes FLEXmount with six mounting options in one kit.
- **Compatible:** VESA-monitor compatible – 75mm & 100mm VESA adapters included.

SPECIFICATIONS

Finishes

 Silver
124

 Vista Black
104

Dimensions

Screen Size: Up to 27"

Height Adjustment: Adjusts anywhere along pole

Extension Range: 5.7"

Weight Capacity: Up to 45 lbs. per monitor

Mount: Desk Edge, Thru-Desk, Grommet, Wall, Reverse Wall, Side Bolt

Part Numbers

9136-D-28-FM-__

WARRANTY

10 Years



Integrated cable management

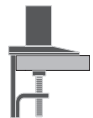
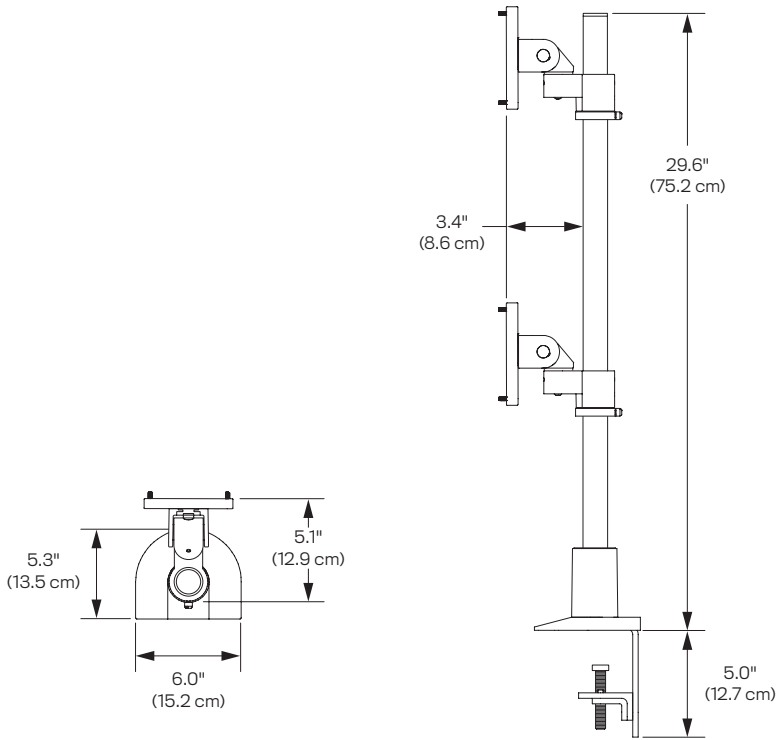


Space-saving design



Choose from six mounting options in one kit

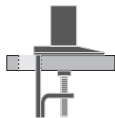
CAPABILITIES



Desk Edge



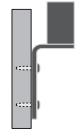
Thru-Desk



Grommet



Wall



Reverse Wall



Side Bolt