

Model 9190

Compact POS Countertop Mount



Secure the monitor to countertop while keeping cables out of view. Quickly adjust monitor angle to user preference. Can't tip over, unlike a monitor with freestanding base!

FEATURES

- ▲ Supports monitors, signature capture devices, kiosks and more
- ▲ Pivot and turn monitor – lock monitor in place if desired
- ▲ Internal cable routing – cables may pass through counter or exit behind mount
- ▲ Durable construction stands up to retail use and abuse
- ▲ Fast setup



Easily tilt monitor to desired angle



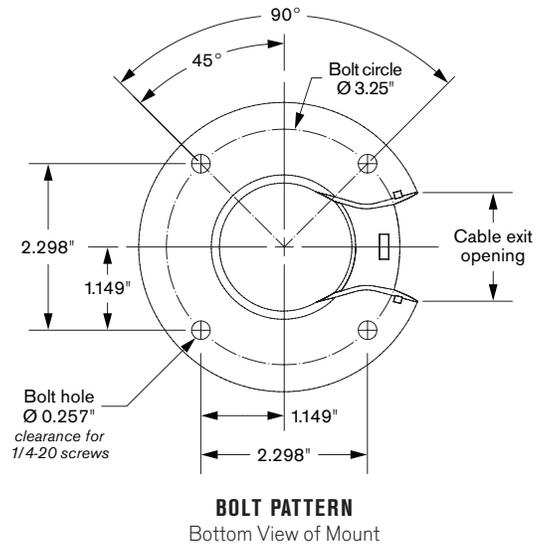
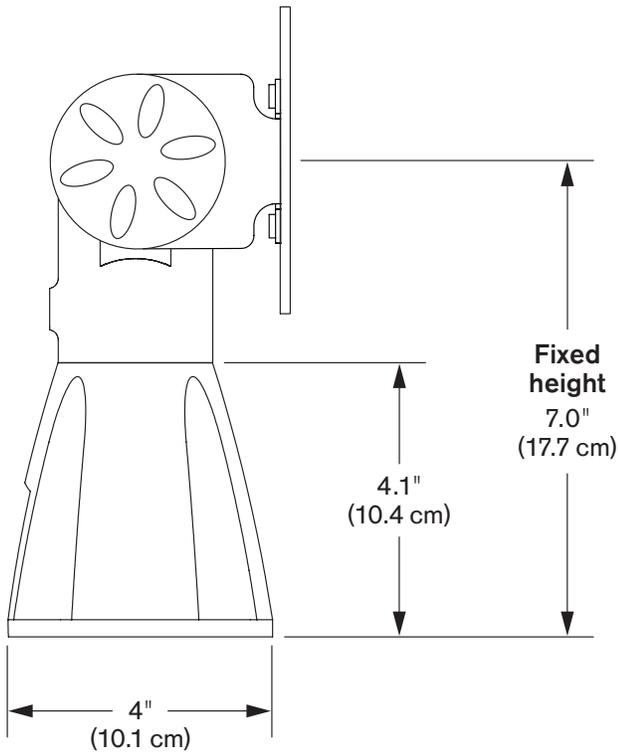
Cables may exit above or below counter

Touchboards

205 Westwood Ave, Long Branch, NJ 07740
 Phone: 866-94 BOARDS (26273) / (732)-222-1511
 Fax: (732)-222-7088 | E-mail: sales@touchboards.com

Model 9190

Specifications



CAPABILITIES

Height range.....7" (17.7 cm), fixed
Monitor weight.....up to 25 lbs (11.3 kg)

Reference dimensions; subject to change without notice. Consult IOP for latest information.



Phone: 800.524.2744 | Fax: 610.253.9521 | E-mail: sales@LCDarms.com | Web: www.LCDarms.com

This product is protected by one or more of the following U.S. Patent Nos. and other United States and foreign patents applied for: 119,345, 119,346, 1,324,842, 2,470,525, 6,076,785, 6,273,383, 6,409,134, 6,478,274, 6,499,704, 6,505,988, 6,609,691, 6,19,606, 6,719,253, 6,726,167, 6,736,364, 6,783,105, 6,854,698, 6,915,994, 6,935,883, 6,955,328, 6,983,917, 6,986,489, 7,014,157, 7,017,874, 7,048,242, 7,059,574, 7,063,296, 7,066,433, 7,066,435, 7,389,965, 7,665,699, D435,852, D491,952, D492,893, D670,853, D675,293.

LIT-1033 REV D