

Model 9232

Light Duty Pole Mount



Model 9232 is an ideal light duty solution for office spaces, POS and digital displays, kiosks and retail environments looking to support monitors or tablets 10 lbs and under.

FEATURES

- ▲ Integrated mount handle for easy set up (9232-DC).
- ▲ Up to 100 degrees of monitor tilt allows for adjustable visibility.
- ▲ Integrated cable management.
- ▲ Available with desk edge or thru-desk mount (slatwall mount available).



9232-DC features integrated mount handle (for speedy setup)



Easily tilt monitor to desired angle

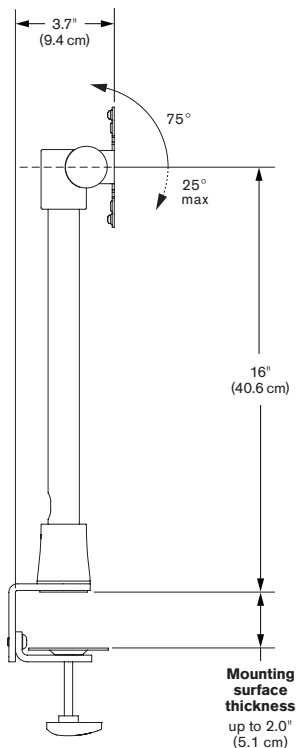


Available with either desk clamp or thru-desk mount

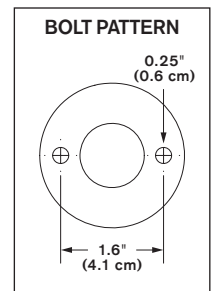
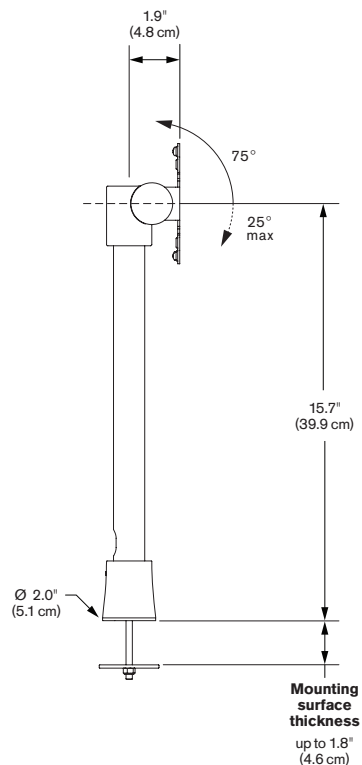
Model 9232

Specifications

9232-DC



9232-THRU



CAPABILITIES

- Monitor tilt 75° up, 25° down (max)
- Monitor compatibility VESA® 75mm and 100mm
- Cable management Cables clip to pole
- Monitor weight Supports up to 10 lbs (4.5 kg)



Phone: 800.524.2744 | Fax: 610.253.9521 | E-mail: sales@LCDarms.com | Web: www.LCDarms.com