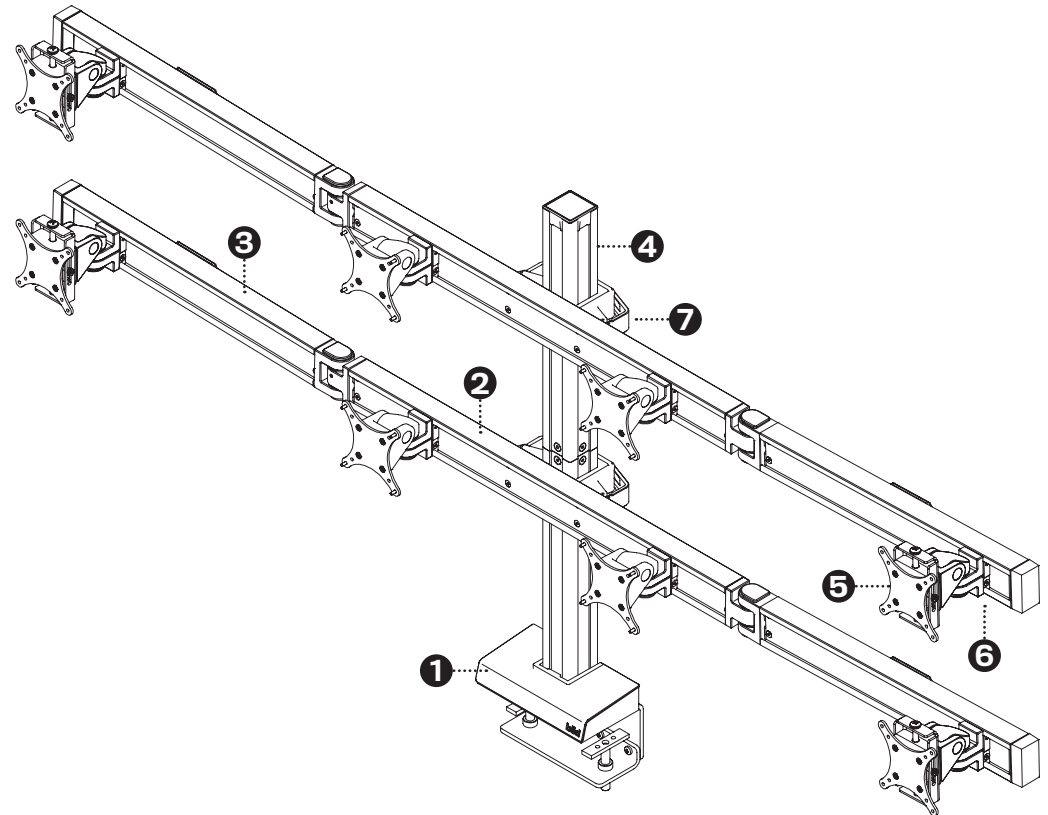

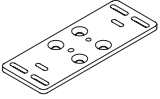
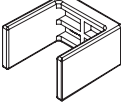
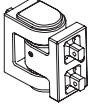
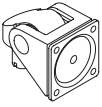
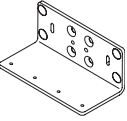
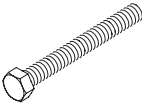
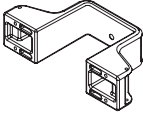
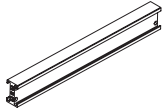
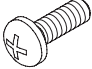
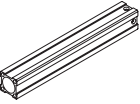

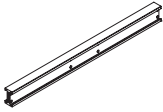
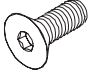
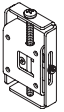


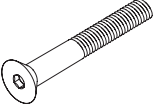
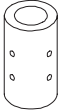
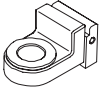
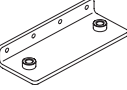
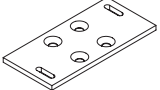



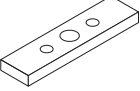
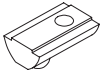





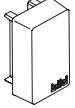


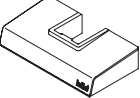


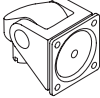



| | |
|---|---------|
| STEP 1 MOUNTS | Page 3 |
| STEP 2 CENTER BEAM | Page 4 |
| STEP 3 EXTENSION BEAMS (optional) | Page 6 |
| STEP 4 DUAL TIER COLUMN (optional) | Page 7 |
| STEP 5 MONITOR TILTER | Page 8 |
| STEP 6 MONITOR CUPS | Page 9 |
| STEP 7 CABLE MANAGEMENT | Page 10 |



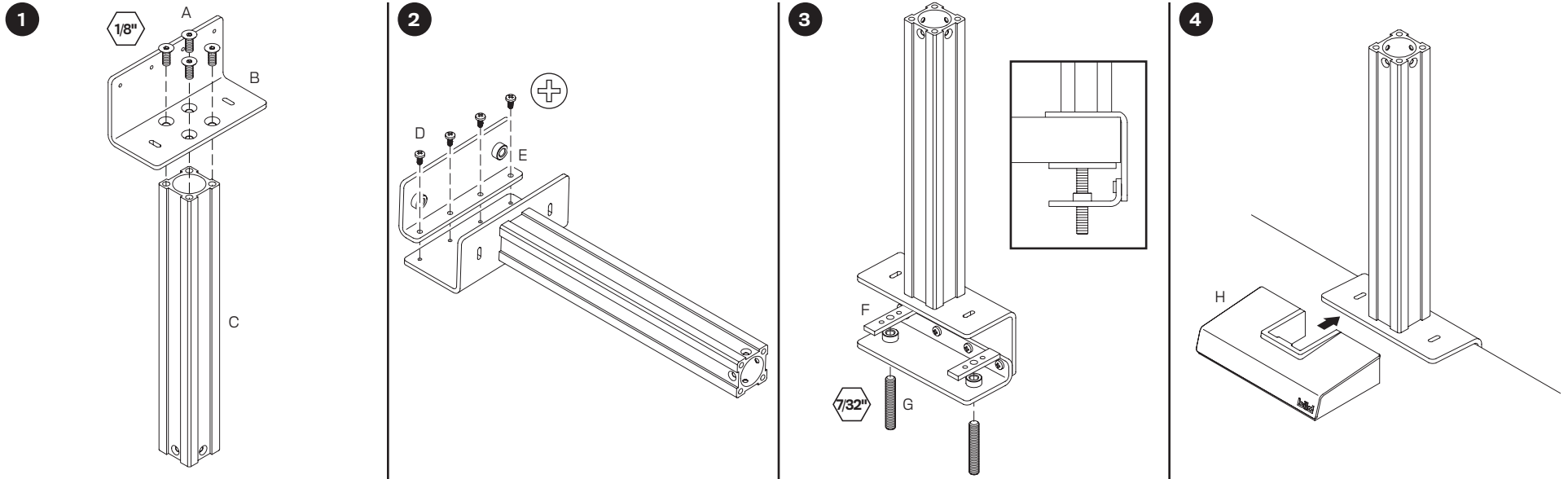
PARTS LIST

Note: Depending on your Bild® configuration, you may not receive all parts shown below.

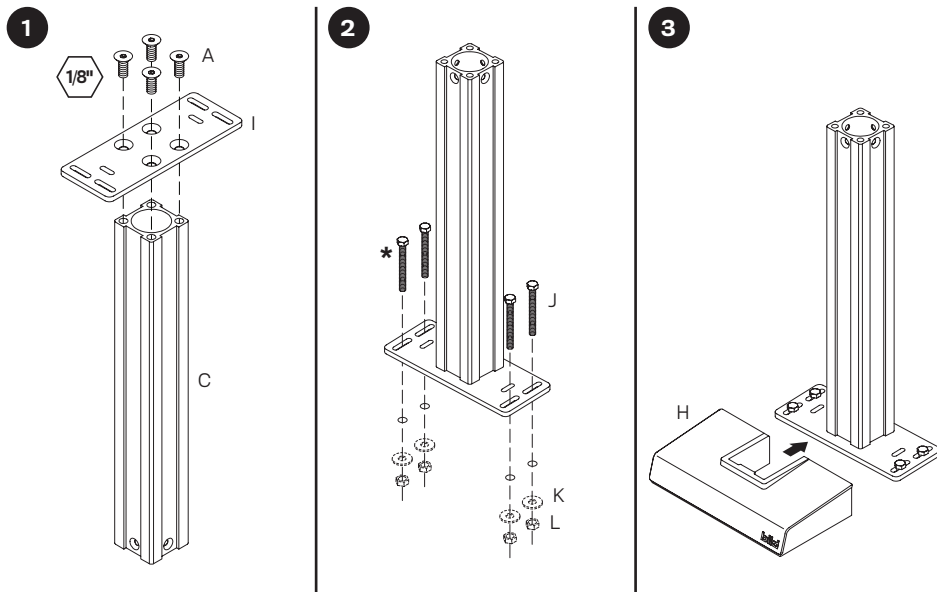
| | | | | |
|---|---|---|---|--|
| <p>A 3/8-16 X 1" FHSCS 701124</p>  | <p>I Thru Mount Base Plate 110978</p>  | <p>Q Column Clamp Spacer 111193</p>  | <p>Y Hinge 411491</p>  | <p>GG HD Monitor Tilter 407747</p>  |
| <p>B Large "L" 111311</p>  | <p>J 1/4-20 x 2-1/2" Hex Head Bolt 711570</p>  | <p>R Column Clamp 111040</p>  | <p>Z Extension Beam (10" or 20") 111098-10 or 111098-20</p>  | <p>HH M4 x 12mm PhPHS (4-pack) 702096</p>  |
| <p>C Static Column xxxxxx</p>  | <p>K Thru Mount Washer 711572</p>  | <p>S Center Beam (30") 111098-30</p>  | <p>AA 10-32 x 9/16" FHSCS 711100</p>  | <p>II Fine Tune Adjust Adapter 8473</p>  |
| <p>D 1/4-20 x 1/2" PhPHS 700435</p>  | <p>L Thru Mount Nut 711571</p>  | <p>T FHSCS 10-32 x 1-1/2" 711101</p>  | <p>BB Column Link 111197</p>  | <p>JJ Monitor Cup 411351</p>  |
| <p>E Small "L" 111312</p>  | <p>M Rail Mount Base Plate 111465</p>  | <p>U 1/8" Allen Wrench 701312</p>  | <p>CC 1/4-20 x 1/2" FHSCS 700787</p>  | <p>KK Dog Washer 111230-603</p>  |
| <p>F Spacer 701544</p>  | <p>N Rail Mount Drop-In Nut 711466</p>  | <p>V 7/32" Allen Wrench 701127</p>  | <p>DD 10-32 x 3/8" PhFHS (4-pack) 702281</p>  | <p>LL 10-32 x 1/2" FHSCS 711240</p>  |
| <p>G 1/2-13 x 3" Set Screw 701126</p>  | <p>O Rail Mount Knob 109567</p>  | <p>W End Cap 111159-708</p>  | <p>EE 75/100mm VESA Adapter 105587</p>  | <p>MM Column Cable Clip 111203-708</p>  |
| <p>H Base Plate Cover 111192</p>  | <p>P Rail Mount Washer 702056</p>  | <p>X Column Cap 111204</p>  | <p>FF Standard Monitor Tilter 405397</p>  | <p>NN Extension Beam Cable Clip 111252</p>  |

MOUNTS

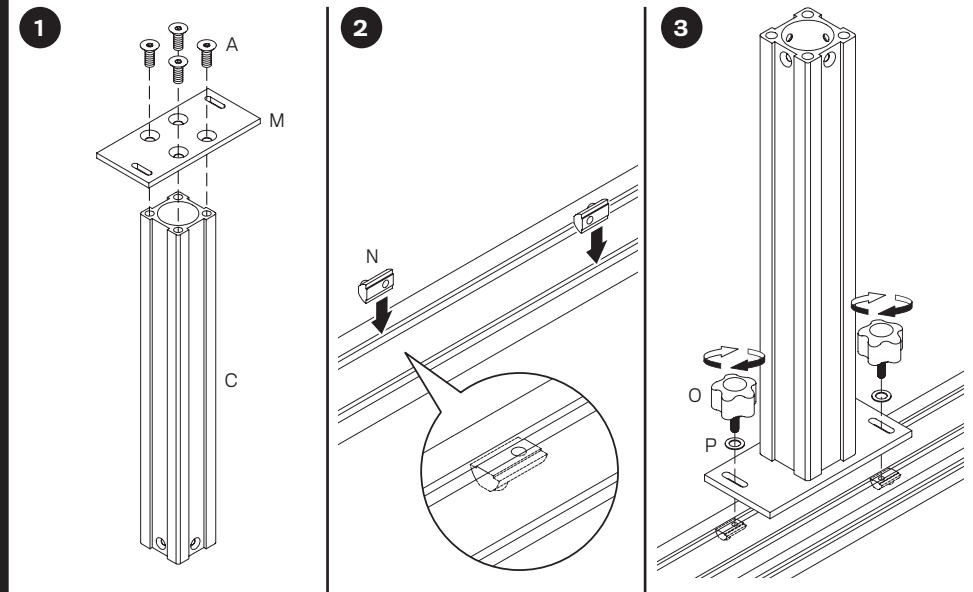
CLAMP MOUNT



THRU MOUNT

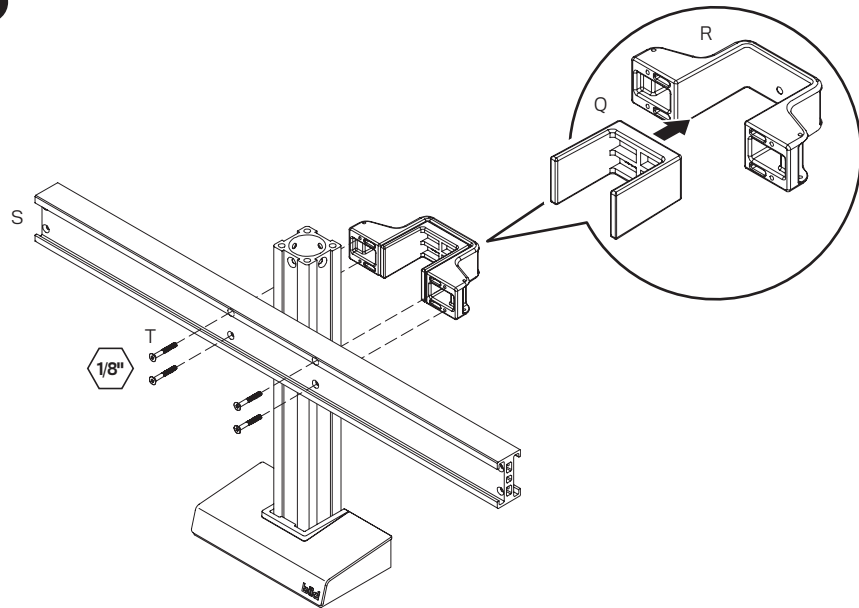


RAIL MOUNT

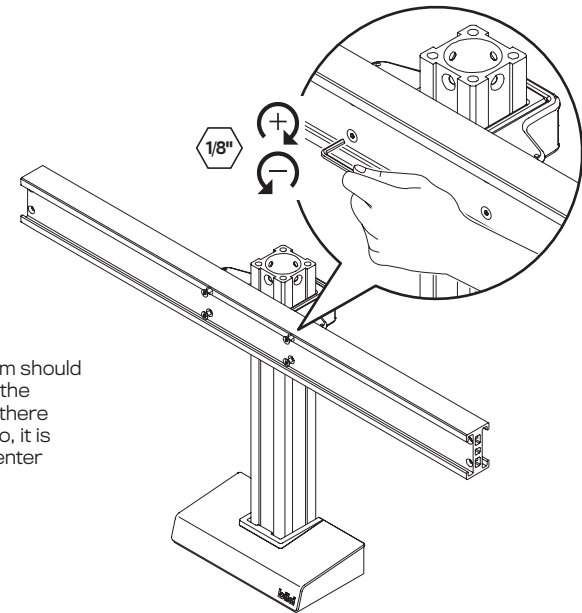


CENTER BEAM

1

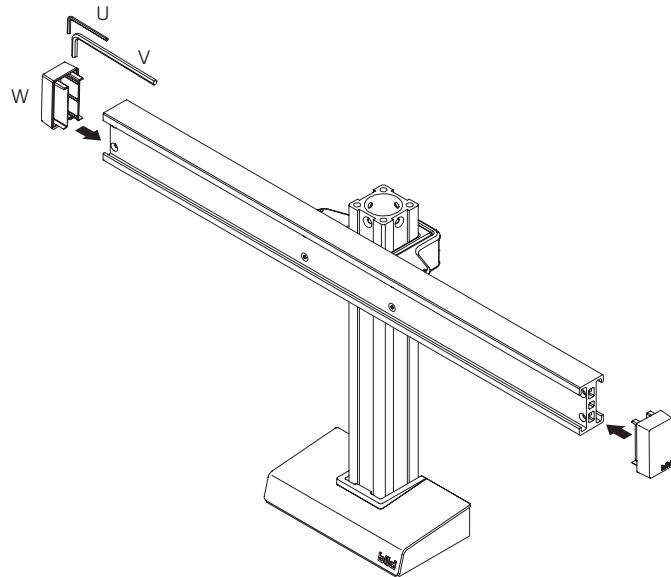


2

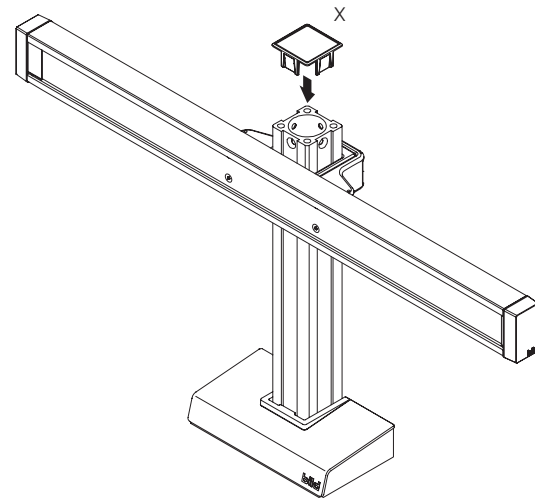


NOTE: The beam should sit flush against the column, ensure there are no gaps. Also, it is important the center beam is level.

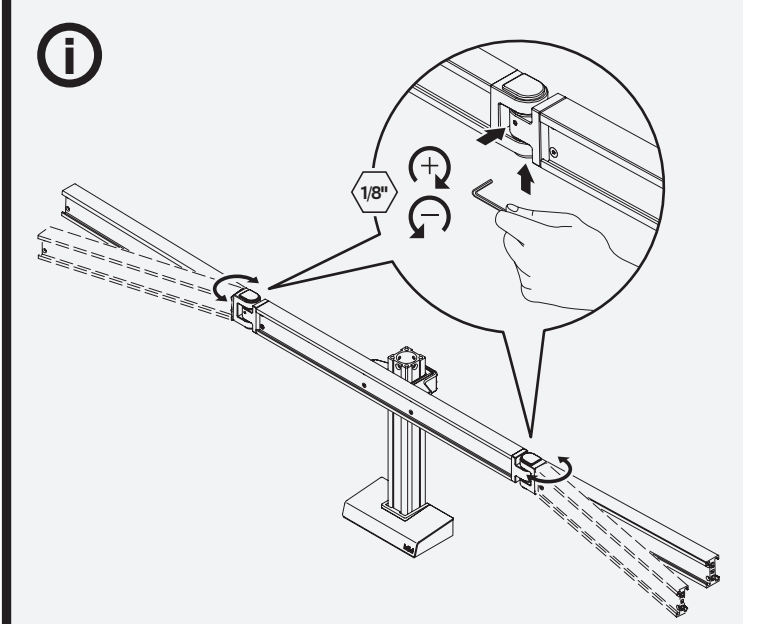
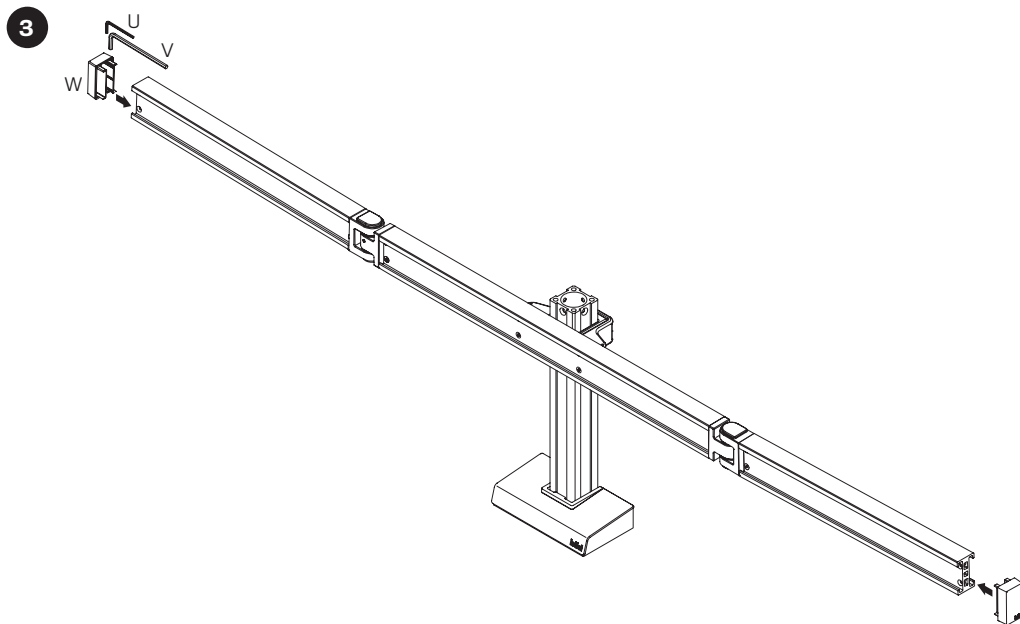
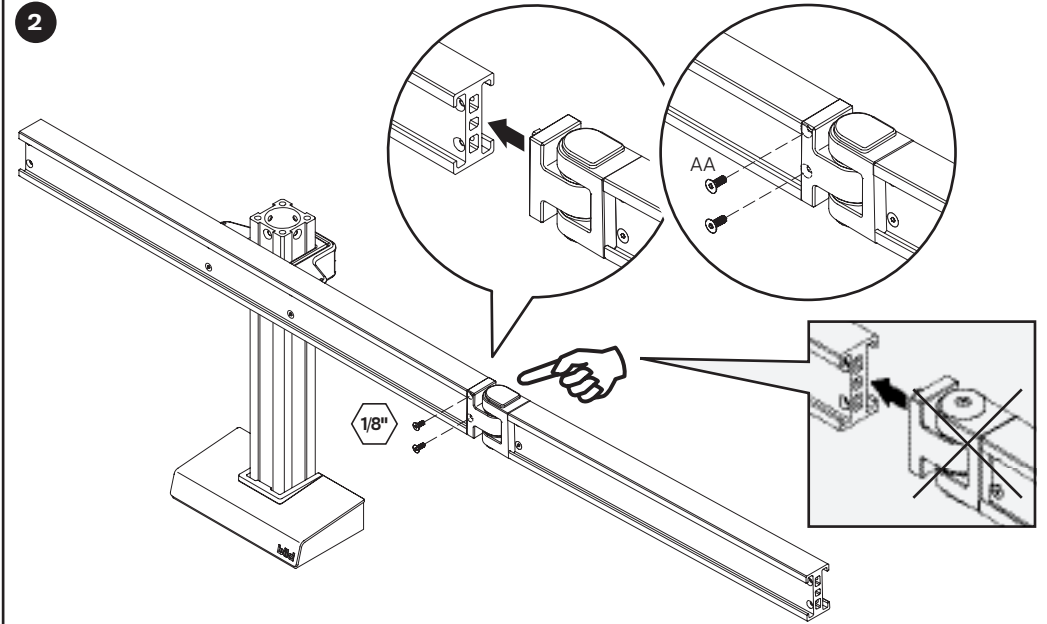
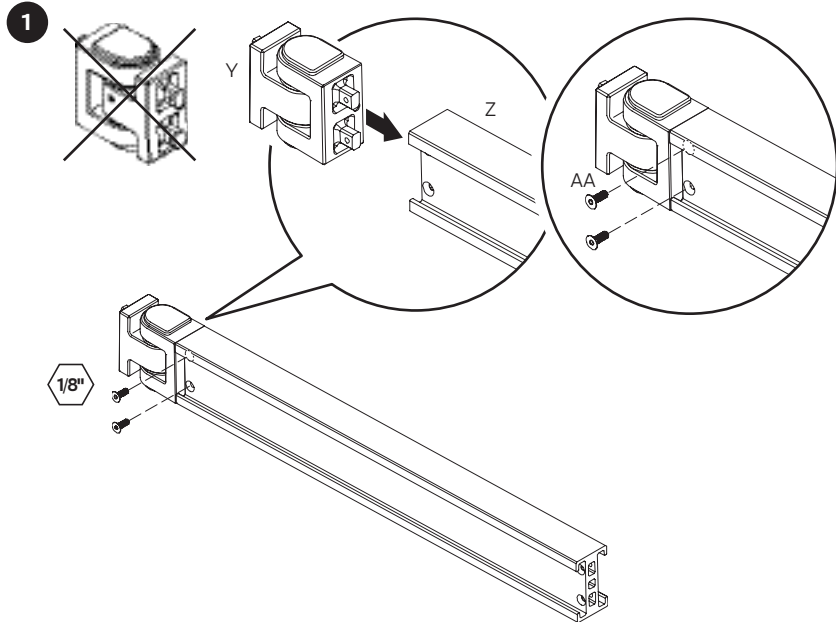
3



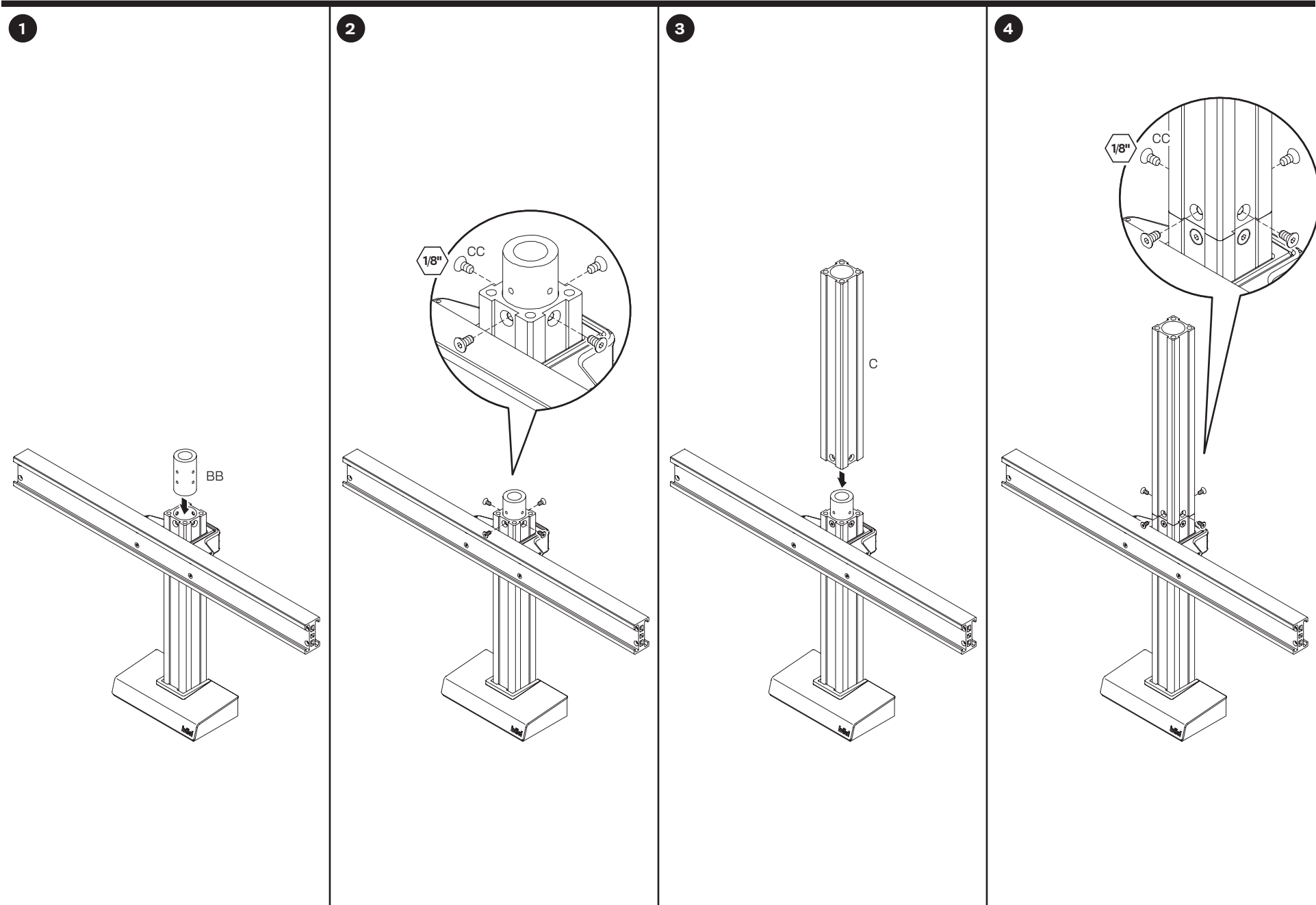
4



EXTENSION BEAMS



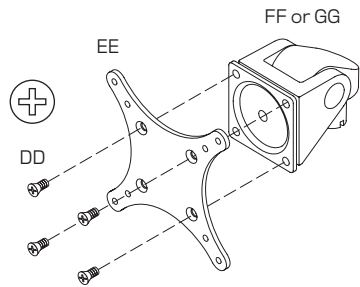
DUAL TIER COLUMN



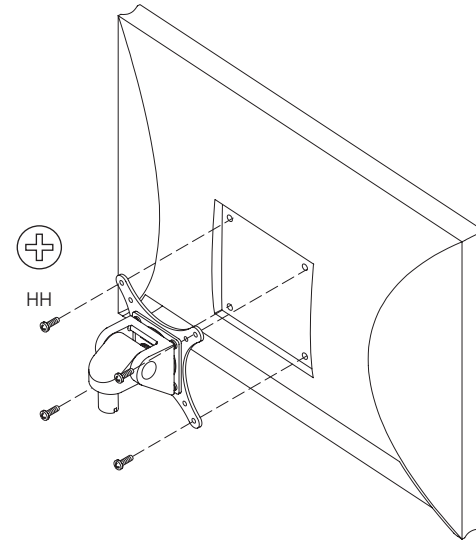
MONITOR TILTER

STANDARD TILTER & SPRING TILTER

1

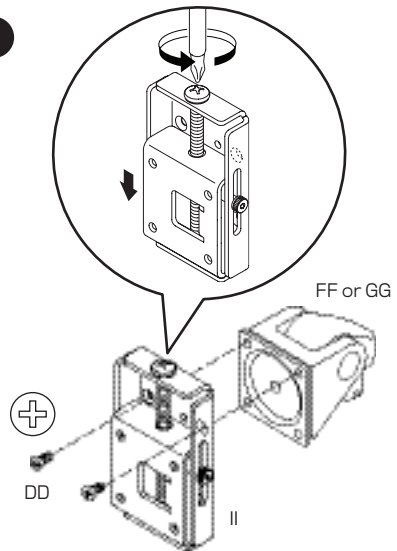


2

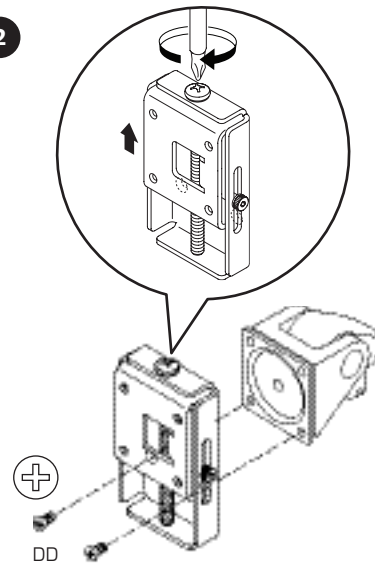


FINE TUNE HEIGHT ADJUST TILTER

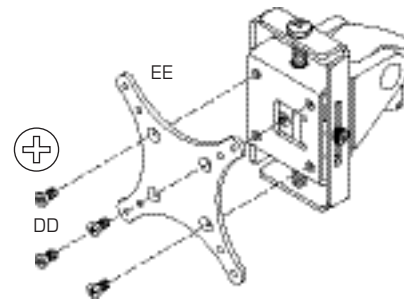
1



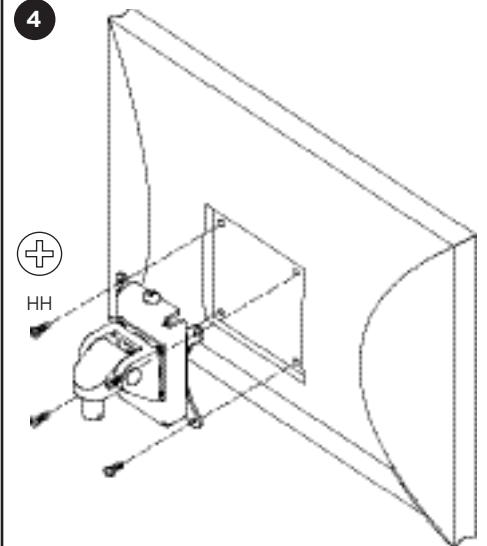
2



3

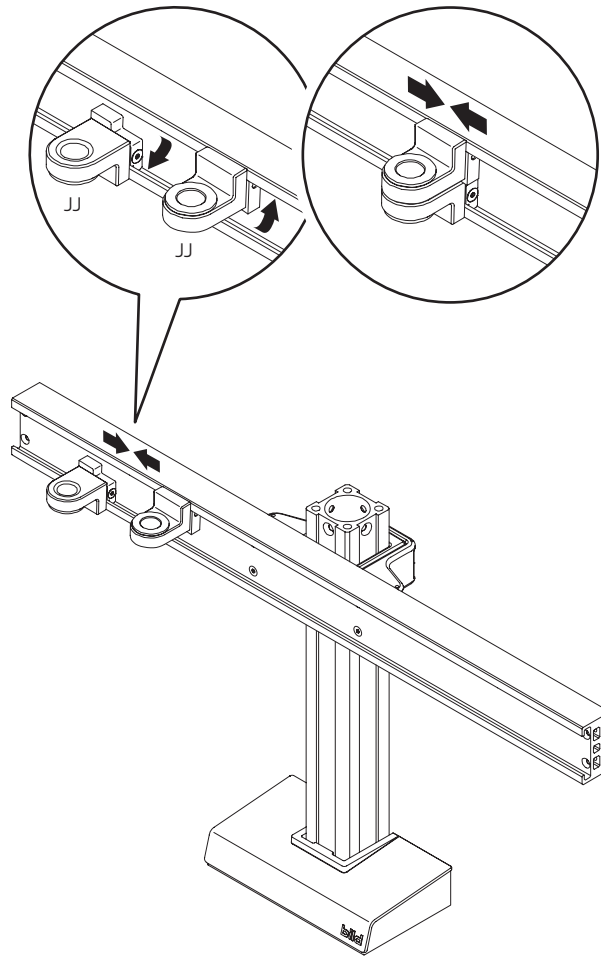


4

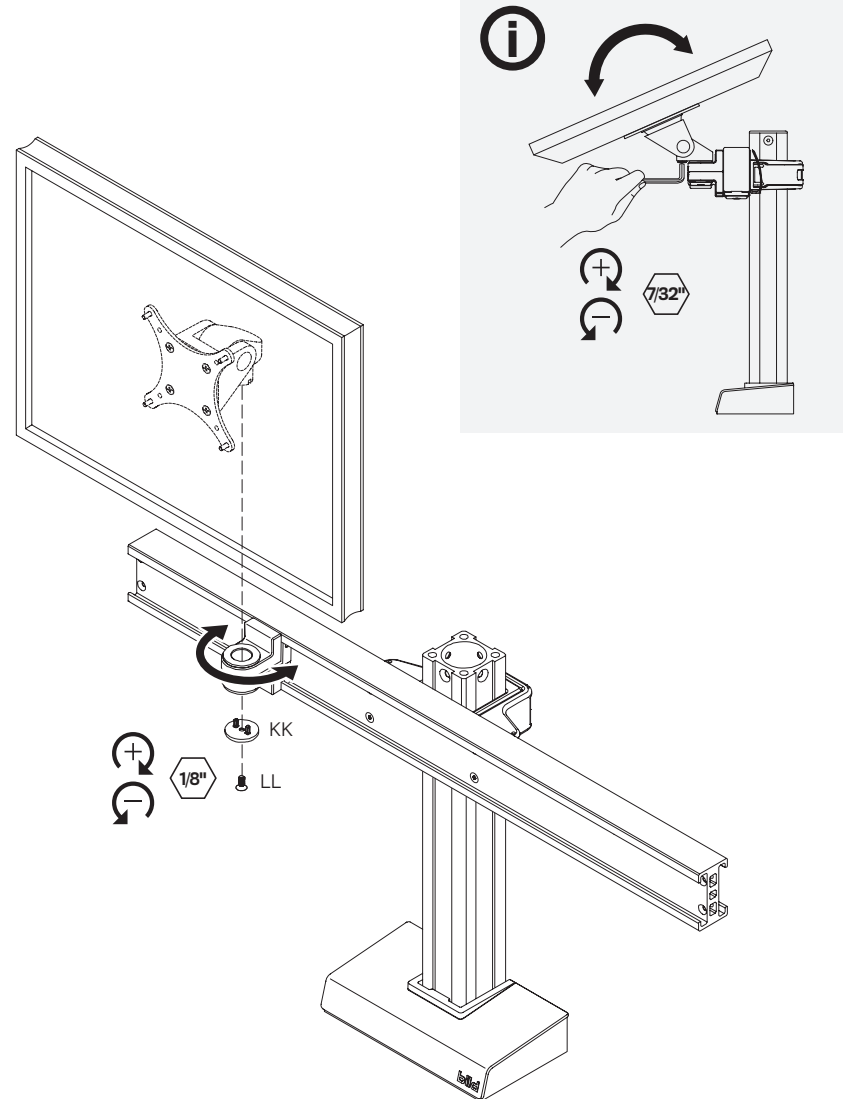


MONITOR CUPS

1

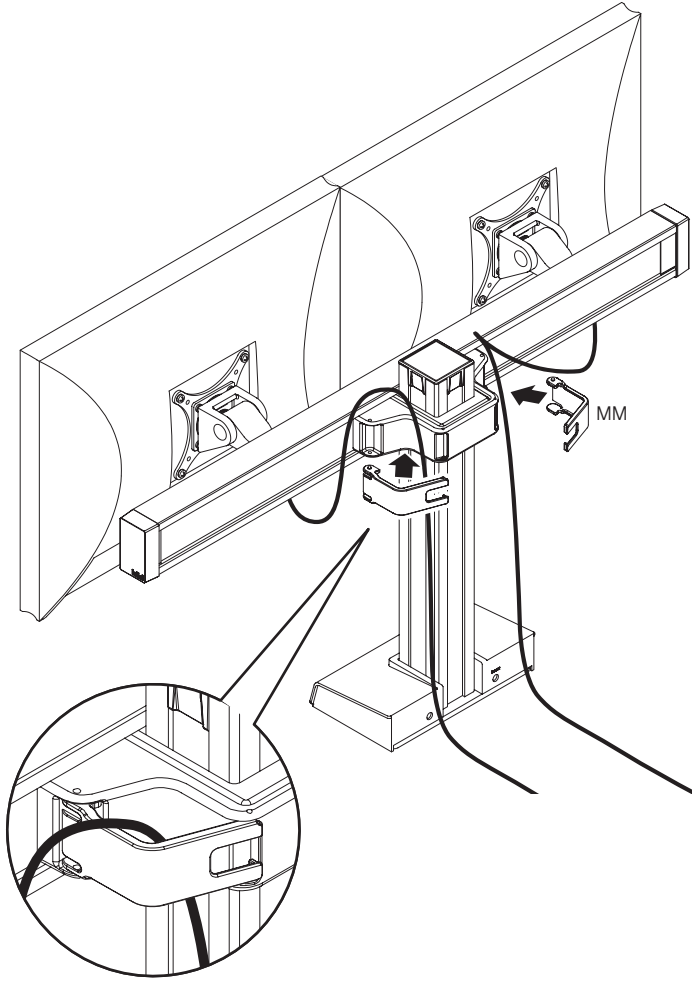


2



CABLE MANAGEMENT

1



2

