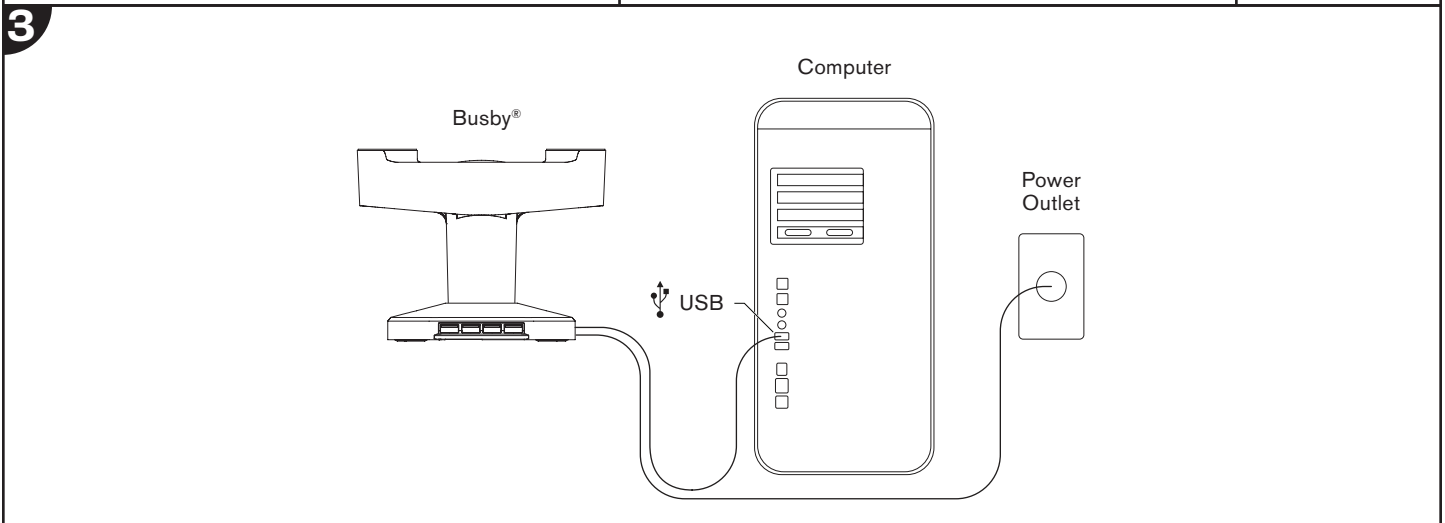
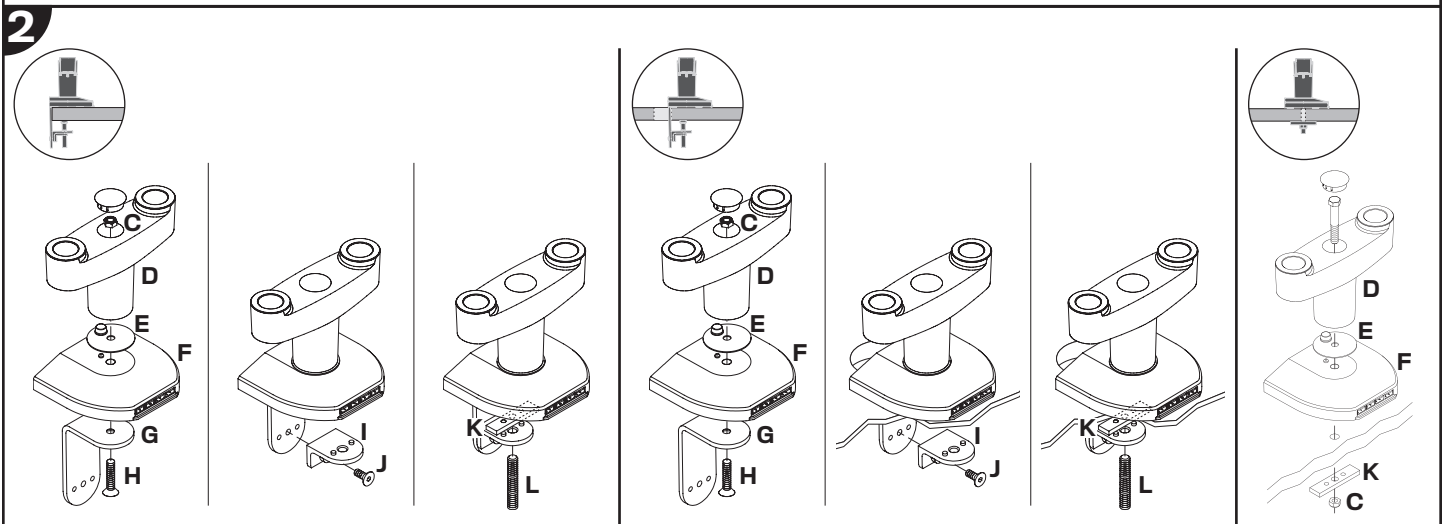
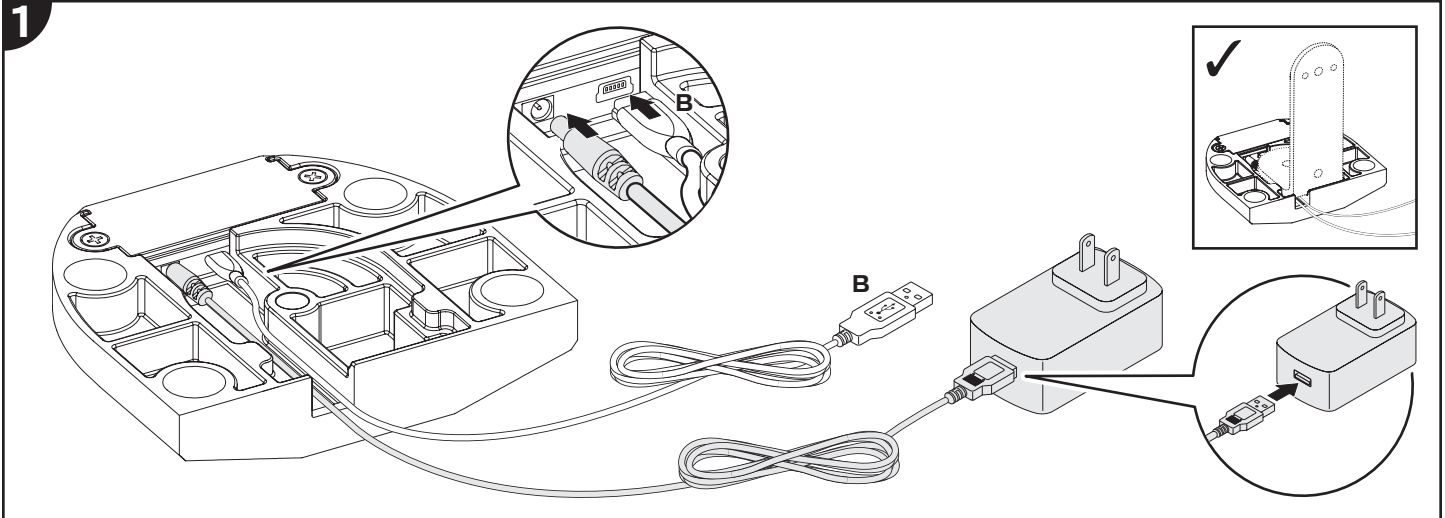
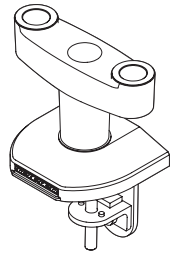


Innovative Ergonomic Solutions companies

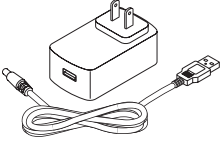


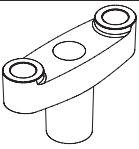
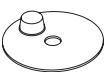

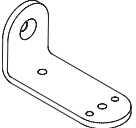
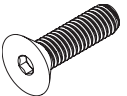
BUSBY® 8451-8408

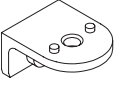
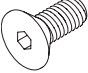
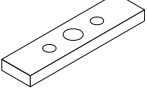
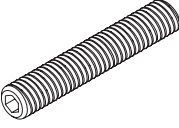
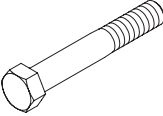
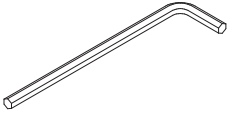

Installation Instructions



BUSBY® 8451-8408

Parts List

| ITEM QUANTITY | DESCRIPTION / PART NO. |
|---------------|--|
| A |  Power Cord & Adapter 1 710884 |
| B |  USB Data Cable 1 710600 |
| C |  3/8-16 Nylon Stop Nut 1 701418 |
| D |  Dual Mount Column 1 409652 |
| E |  Adapter Bushing 1 110643 |
| F |  Busby® Base Plate 1 410732 |
| G |  Large "L" Bracket 1 702828 |
| H |  3/8-16 x 1-3/4" Flat Socket Cap Screw 1 710644 |

| ITEM QUANTITY | DESCRIPTION / PART NO. |
|---------------|--|
| I |  Small "L" Bracket 1 701116 |
| J |  3/8-16 x 7/8" Flat Socket Cap Screw 1 701799 |
| K |  Rectangular Spacer 1 701544 |
| L |  1/2-13 x 3" Socket Set Screw 1 701126 |
| M |  3/8-16 x 2-1/2" Hex Head Bolt 1 701964 |
| N |  7/32" Allen Wrench 1 701127 |
| O |  3/32" Allen Wrench 1 700146 |