



KT-27

ACCESSORIES



HAT
DESIGN WORKS™
HUMAN ACTIVE TECHNOLOGY

EASY. FLEXIBLE. COMFORTABLE.

Free up your workspace with HAT Design Works' Keyboard Tray. This adjustable, ergonomic tool repositions your computer's mouse and keyboard for improved posture while the padded wrist support guarantees comfort.



FEATURES

- **Seamless:** Short track seamlessly integrates with height-adjustable bases.
- **Easy:** Soft touch knob adjusts tilt.
- **Flexible:** Mouse pad can be repositioned to the left or right hand side.

SPECIFICATIONS

Finishes



Black

Specifications

Keyboard Tray Size: 27" x 10"
Track Length: 11"
Tilt Adjustment: +10/-10 degrees
Swivel: 360 degree

Part Numbers

KT-27

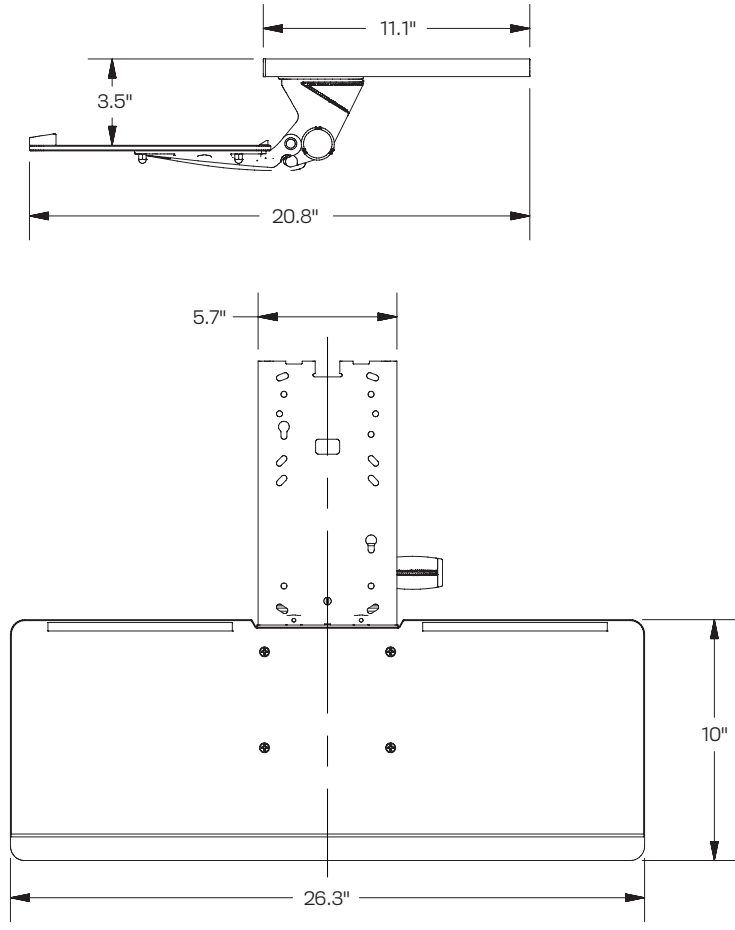


Keyboard tray tilt



Soft touch adjustment knob

CAPABILITIES



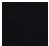
KEYBOARD TRAYS

Work in comfort and eliminate repetitive stress injuries with a flexible, ergonomic keyboard tray. No knob, lever, or ratchet handle required to set height; simply lift to desired position and release.

EXTENDED REACH



KT12-19
EXTENDED REACH KEYBOARD ARM W/19" KEYBOARD TRAY


Finishes
 Black

Dimensions
 12.5" total height adjustment range
 (7" up; 5.5" down)
 23" track included

Part Numbers
 KT12-19



KT12-27
EXTENDED REACH KEYBOARD ARM W/27" KEYBOARD TRAY

Finishes
 Black

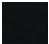
Dimensions
 12.5" total height adjustment range
 (7" up; 5.5" down)
 23" track included

Part Numbers
 KT12-27

COMPACT



KT8-19
EXTENDED REACH KEYBOARD ARM W/19" KEYBOARD TRAY


Finishes
 Black

Dimensions
 8" total height adjustment
 (3" above; 5" below the work surface)
 21" track included

Part Numbers
 KT8-19



KT8-27
EXTENDED REACH KEYBOARD ARM W/27" KEYBOARD TRAY

Finishes
 Black

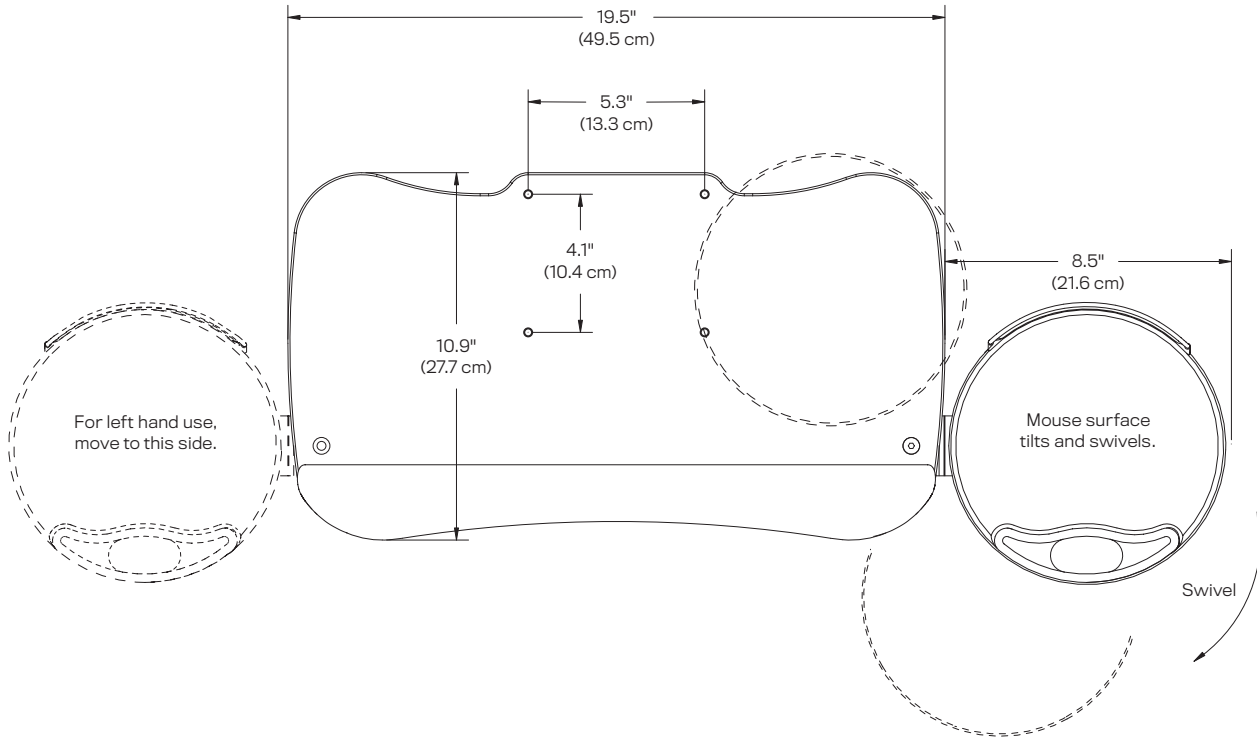
Dimensions
 8" total height adjustment
 (3" above; 5" below the work surface)
 21" track included

Part Numbers
 KT8-27

CAPABILITIES

Model KTX-19

19" Keyboard Tray w/ Swivel Mouse Tray



Model KTX-27

27" Keyboard Tray

