



205 Westwood Ave, Long Branch, NJ 07740
Phone: 866-94 BOARDS (26273) / (732)-222-1511
Fax: (732)-222-7088 | E-mail: sales@touchboards.com

STEP 1 | COLUMN..... Page 3

STEP 2 | MOUNT..... Page 4

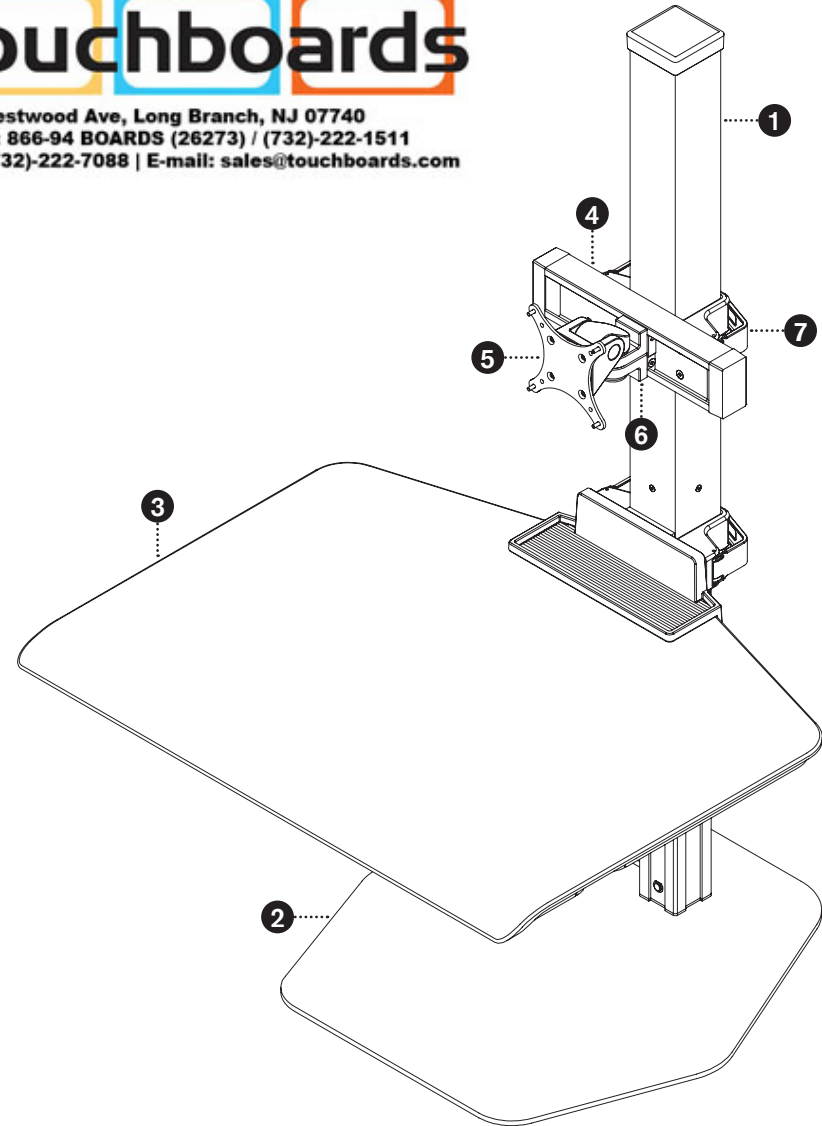
STEP 3 | WORK SURFACE..... Page 5

STEP 4 | BEAM..... Page 6

STEP 5 | MONITOR TILTER..... Page 7

STEP 6 | MONITOR CUPS..... Page 8

STEP 7 | CABLE MANAGEMENT..... Page 9



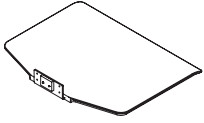
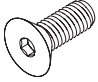
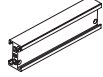


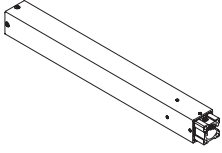
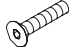




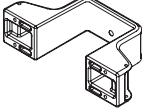

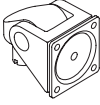


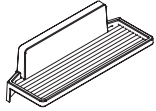
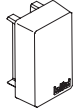
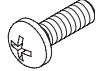
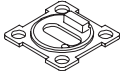
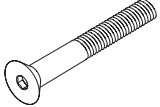

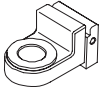
NOTE: Depending on your Winston Workstation® configuration, you may not receive all the parts shown within this instruction booklet.

Installation may require two people.

Depending on your Winston Workstation® configuration, **you may not receive all parts** shown below.

WNST-APL-1 & WNST-APL-2

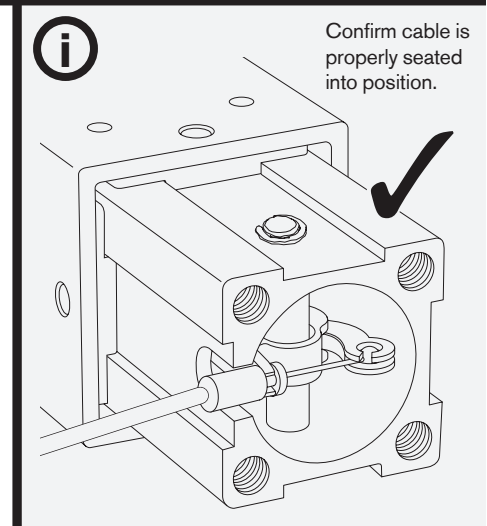
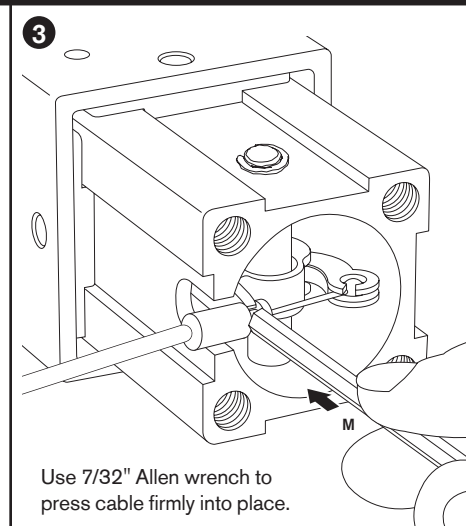
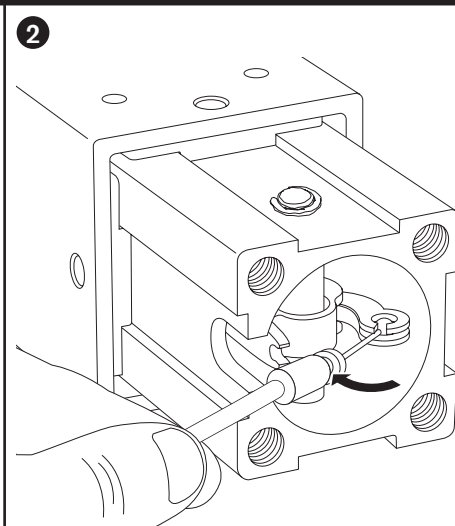
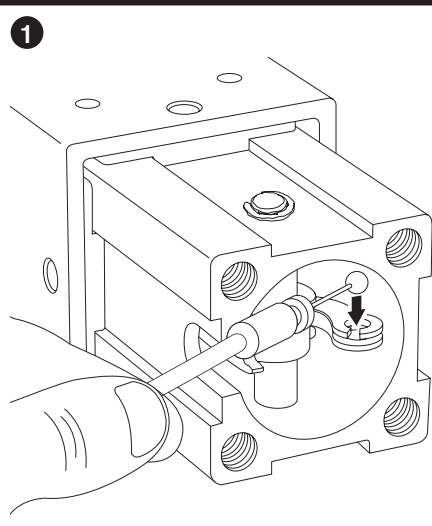
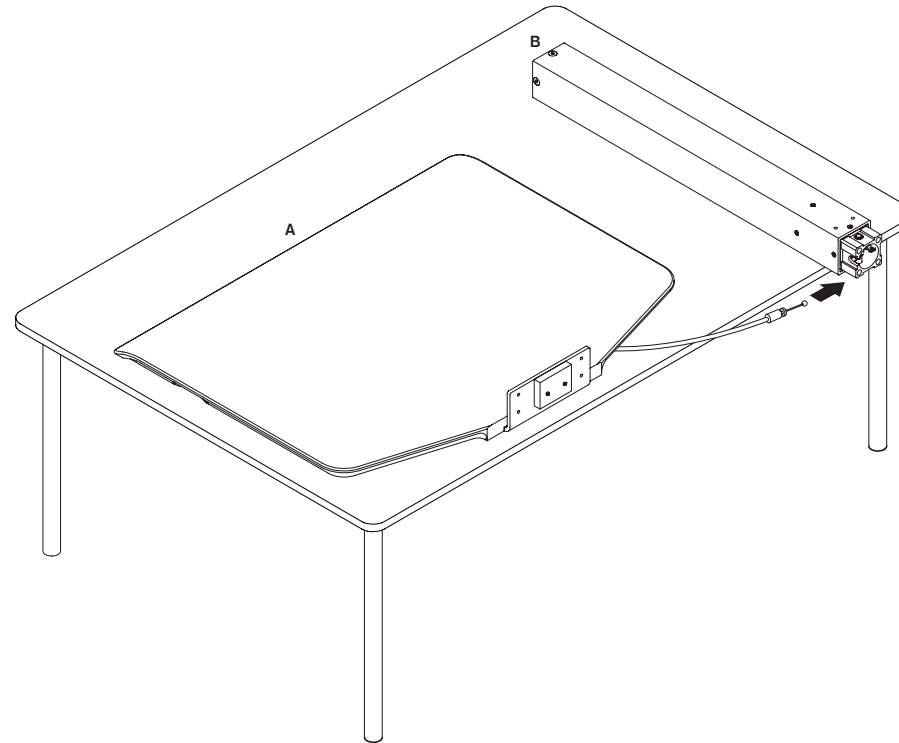
Winston Workstation® for Apple iMac | Parts List

<p>A</p> <p>Work Surface 411469</p> 	<p>F</p> <p>3/8-16 x 1" FHSCS 701124</p> 	<p>K</p> <p>Center Beam (10" or 30") 111098-10 or 111098-30</p> 	<p>P</p> <p>10-32 x 3/8" PhPHS 702281</p> 	<p>U</p> <p>Dog Washer 111230-603</p> 
<p>B</p> <p>Column 411470-M</p> 	<p>G</p> <p>10-32 x 1" FHSCS 711467</p> 	<p>L</p> <p>1/8" Allen Wrench 701312</p> 	<p>Q</p> <p>75/100 mm VESA Adapter 105587</p> 	<p>V</p> <p>10-32 x 1/2" FHSCS 711240</p> 
<p>C</p> <p>Felt Pad 111464</p> 	<p>H</p> <p>Column Clamp 111040</p> 	<p>M</p> <p>7/32" Allen Wrench 701127</p> 	<p>R</p> <p>Standard Monitor Tilter 405397</p> 	<p>W</p> <p>Column Cable Clip 111203-708</p> 
<p>D</p> <p>Freestanding Base 111248</p> 	<p>I</p> <p>Utility Tray 111445</p> 	<p>N</p> <p>End Cap 111159-708</p> 	<p>S</p> <p>M4 x 12mm PhPHS 702096</p> 	
<p>E</p> <p>Cable Retainer 111735</p> 	<p>J</p> <p>FHSCS 10-32 x 1-1/2" 711101</p> 	<p>O</p> <p>Column Cap 111275-708</p> 	<p>T</p> <p>Monitor Cup 411351</p> 	

STEP 1

COLUMN

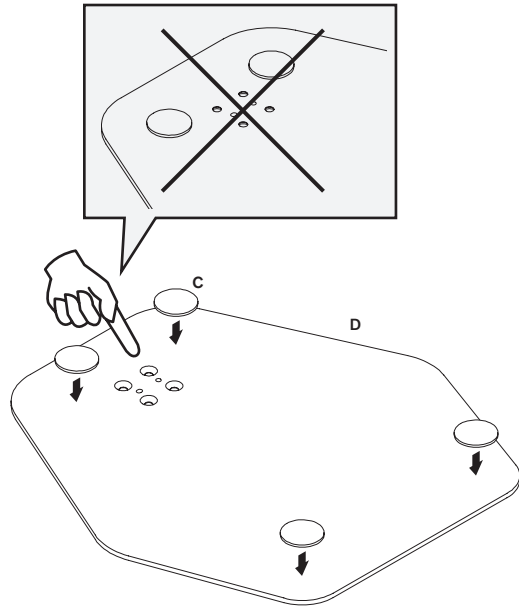
IMPORTANT: Do not pull excessively on cable – doing so may result in accidental actuation of column.



STEP 2

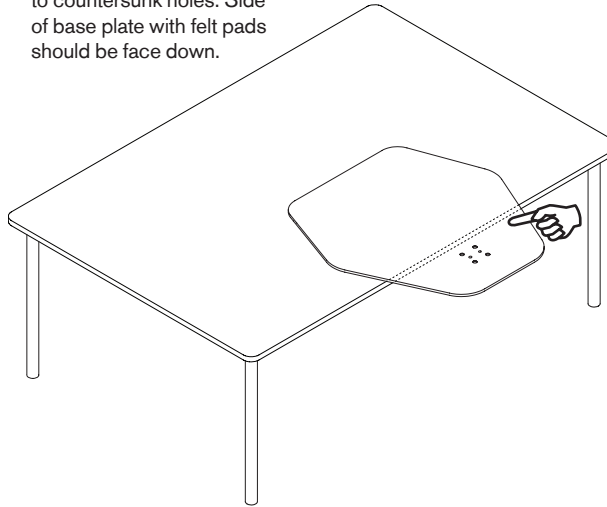
MOUNT

1



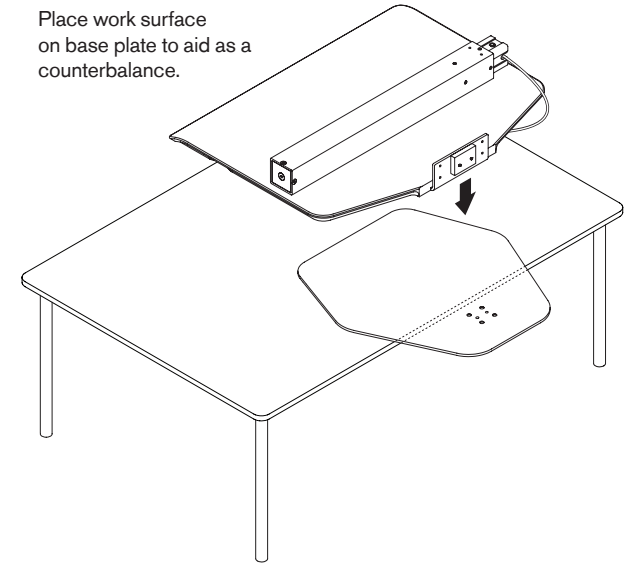
2

Hang base plate over edge of work surface to allow access to countersunk holes. Side of base plate with felt pads should be face down.

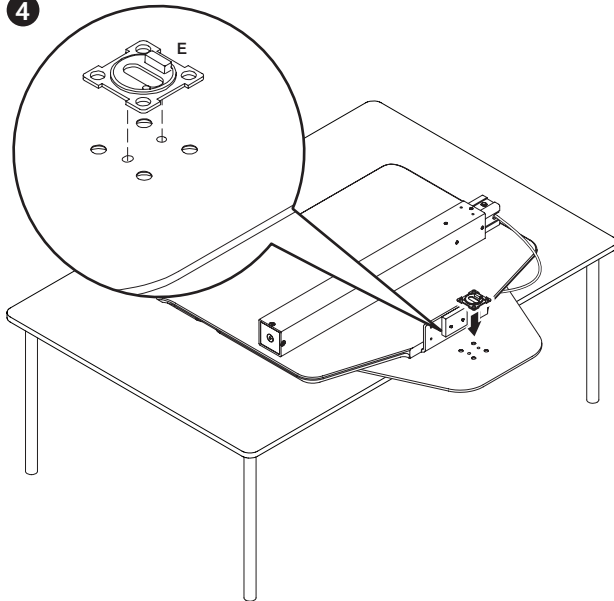


3

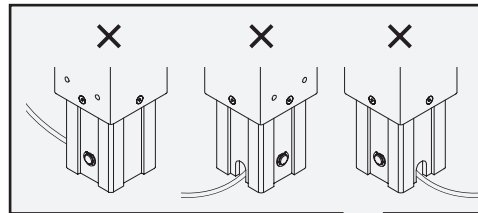
Place work surface on base plate to aid as a counterbalance.



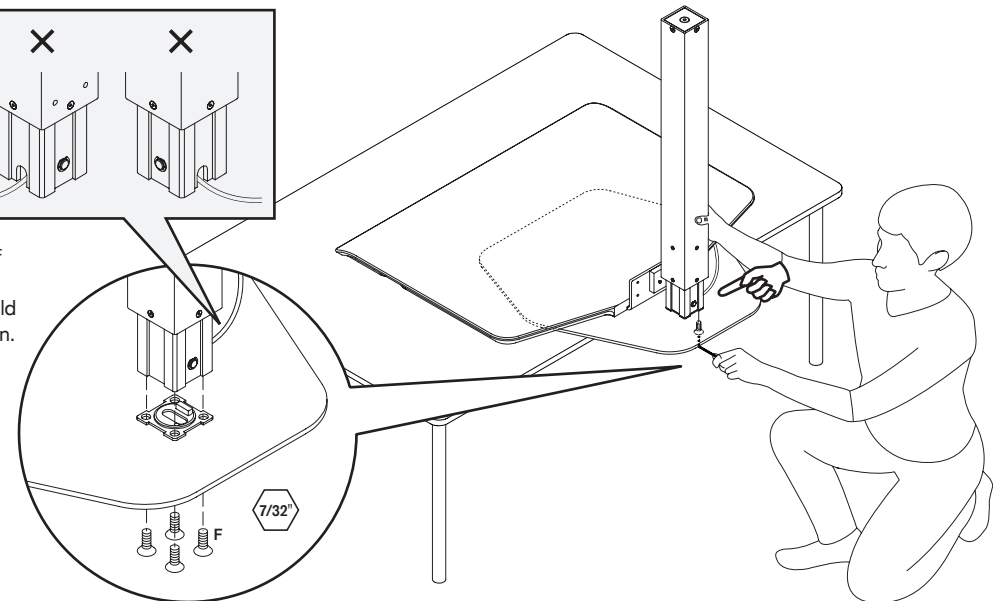
4



5



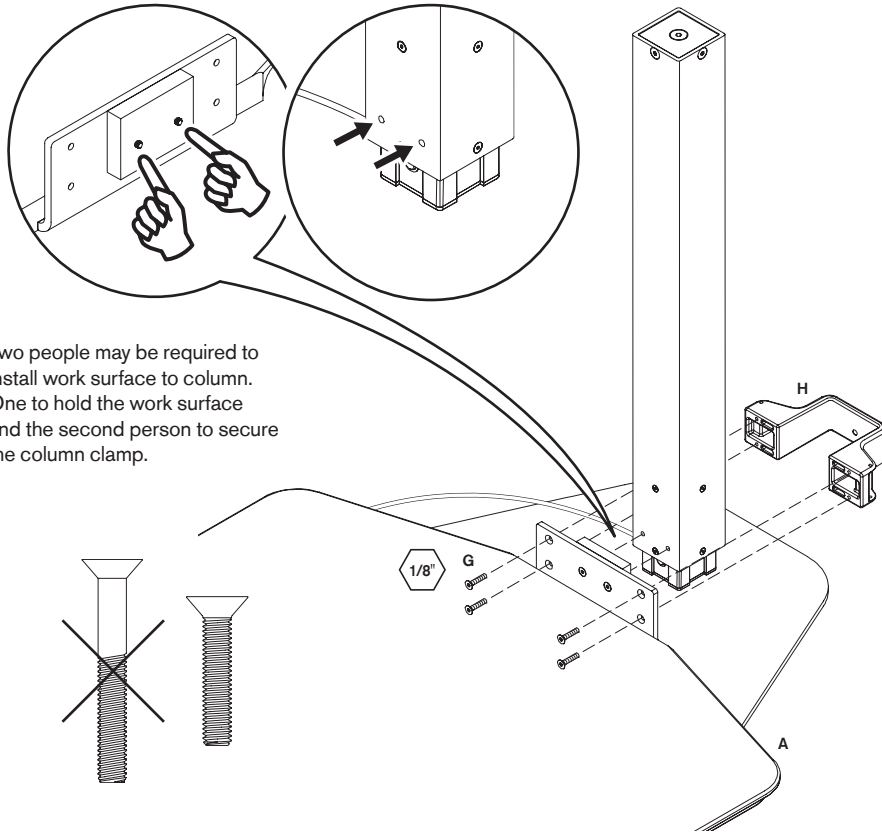
Note the **orientation** of column **cable exit** and base plate – cable should exit in direction as shown.



STEP 3

WORK SURFACE

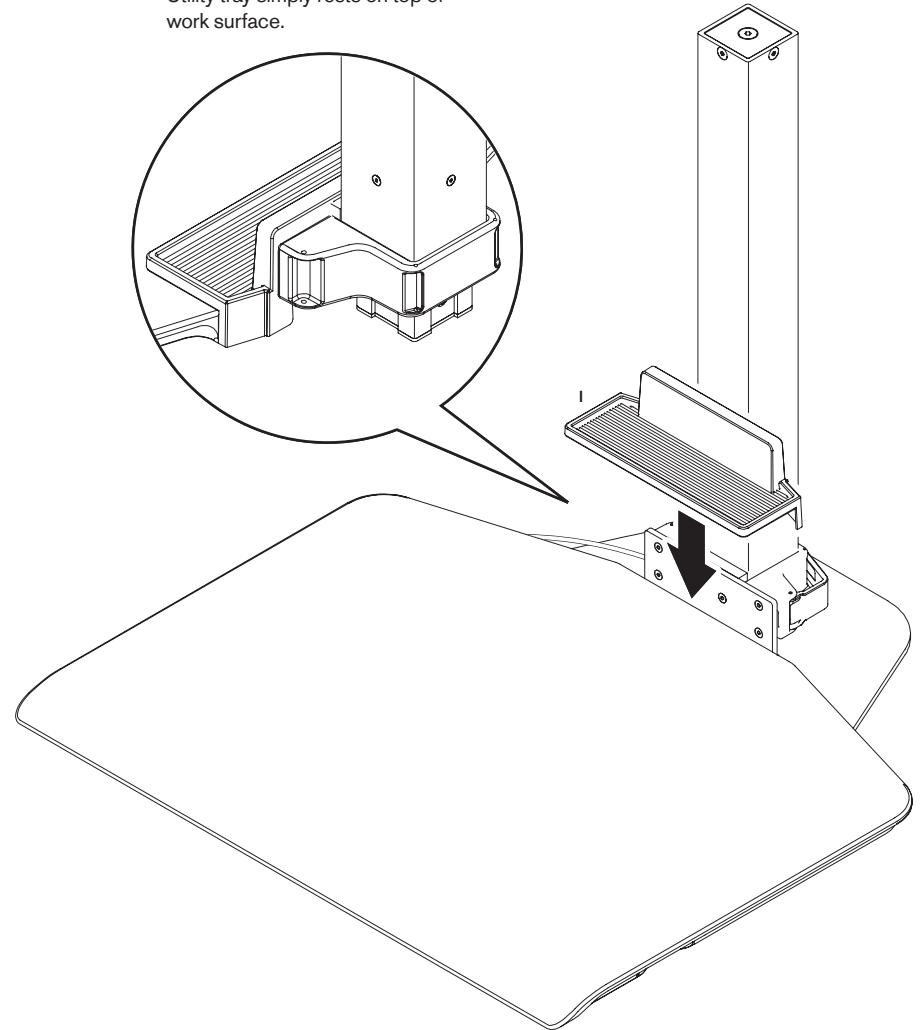
1



Two people may be required to install work surface to column. One to hold the work surface and the second person to secure the column clamp.

2

Slide utility tray onto work surface. Utility tray simply rests on top of work surface.

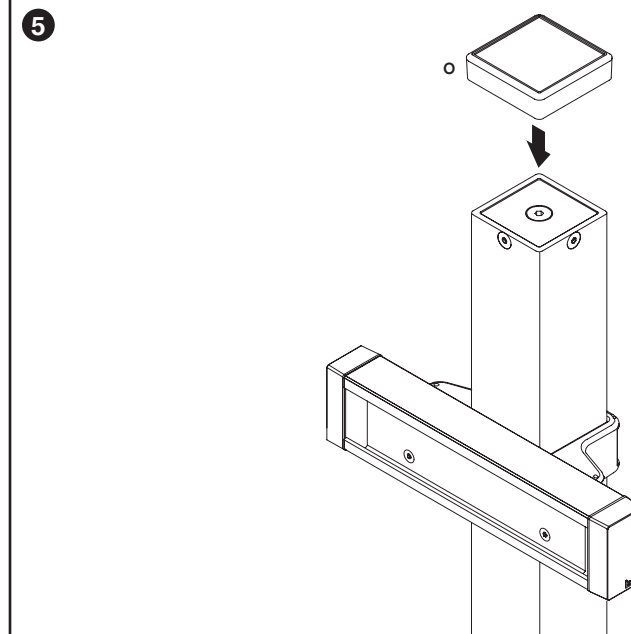
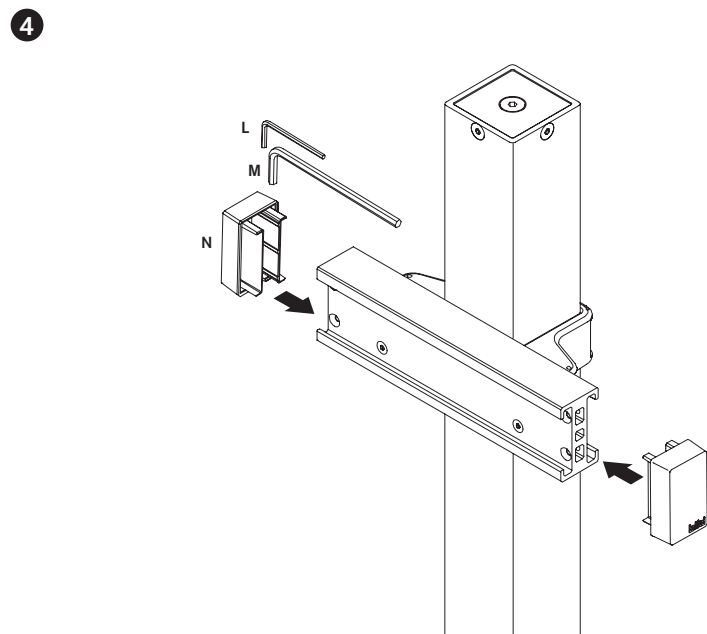
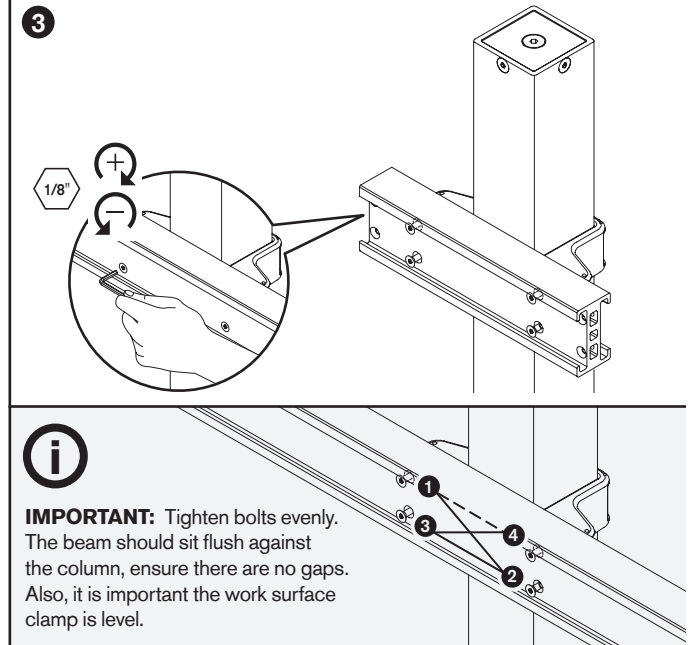
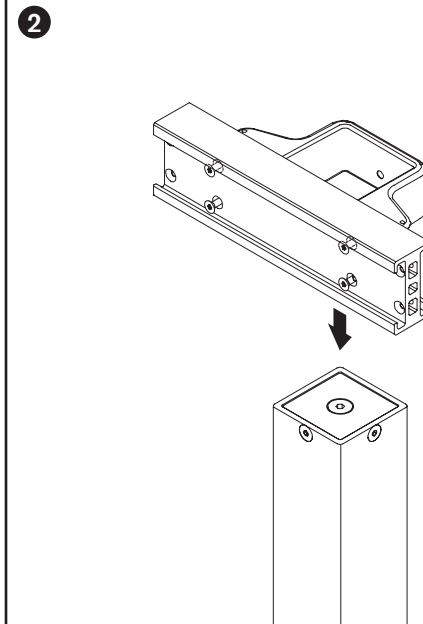
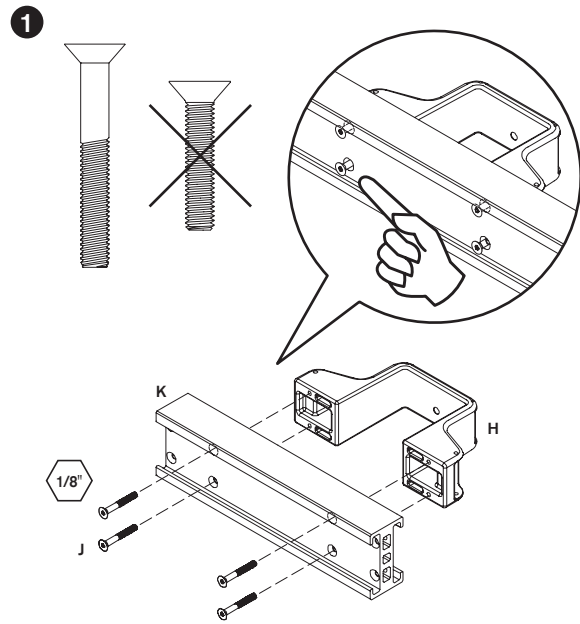


i

IMPORTANT: Tighten bolts evenly. Work surface clamp should sit flush against the column, ensure there are no gaps. Also, it is important the work surface clamp is level.

STEP 4

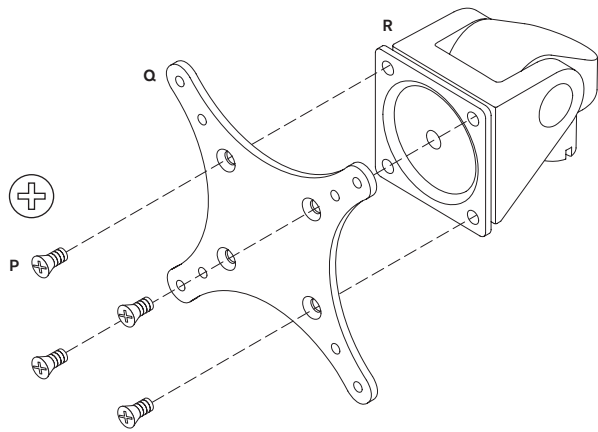
BEAM



STEP 5

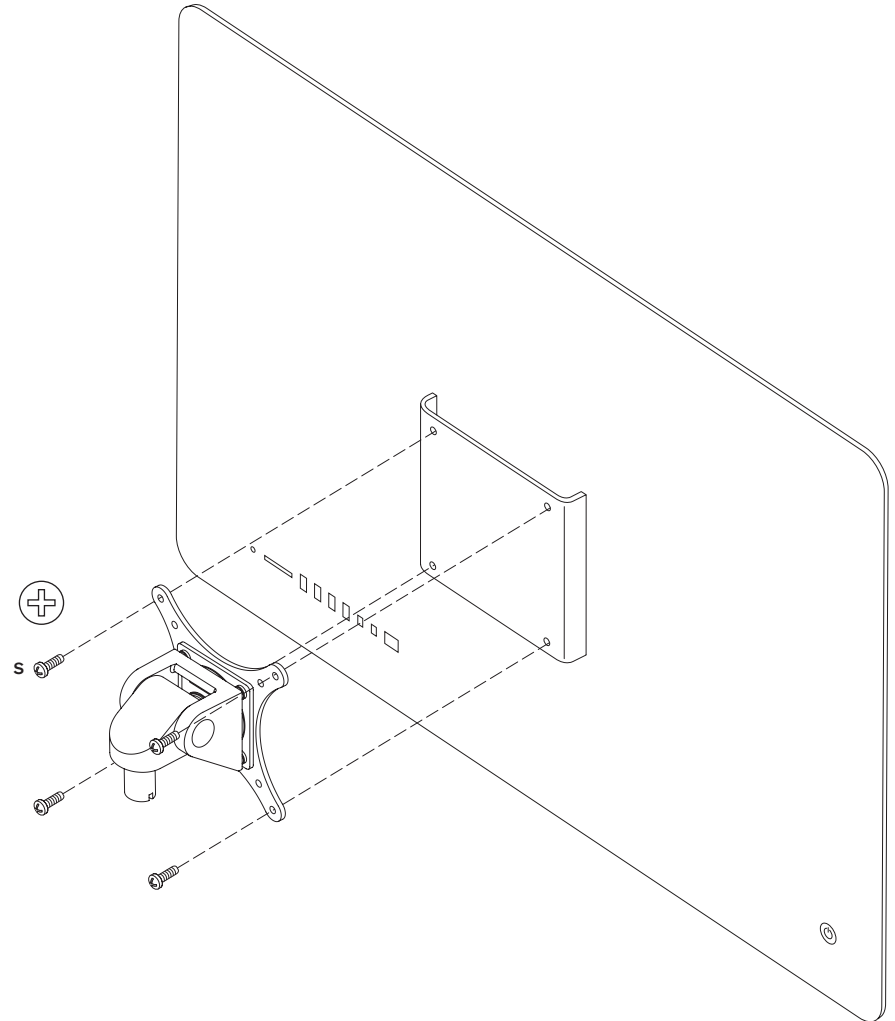
MONITOR TILTER

1



2

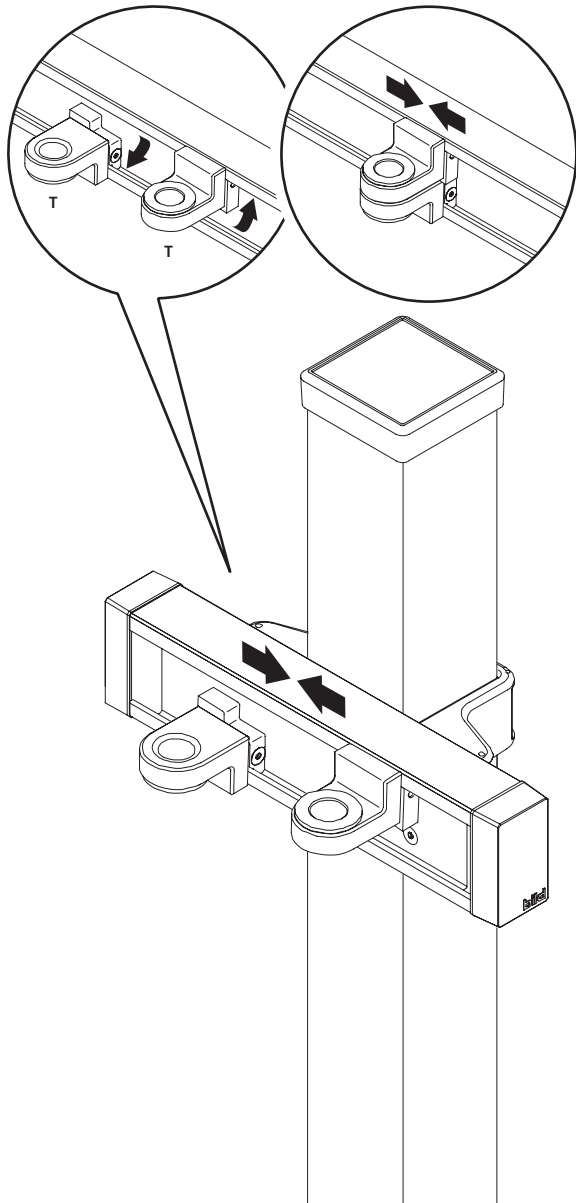
NOTE:
Requires VESA compatible iMac
or Apple VESA adapter
(not included).



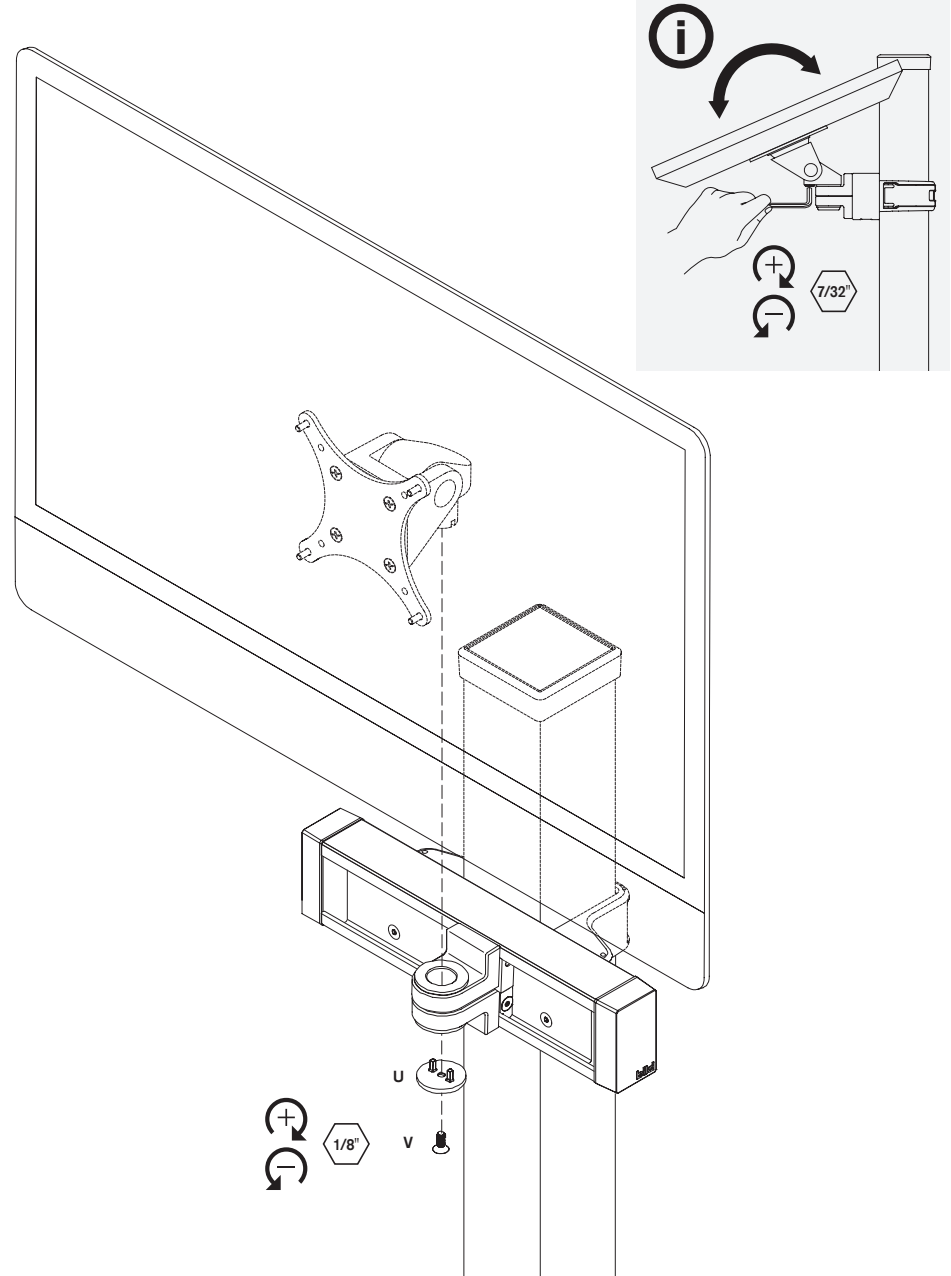
STEP 6

MONITOR CUPS

1



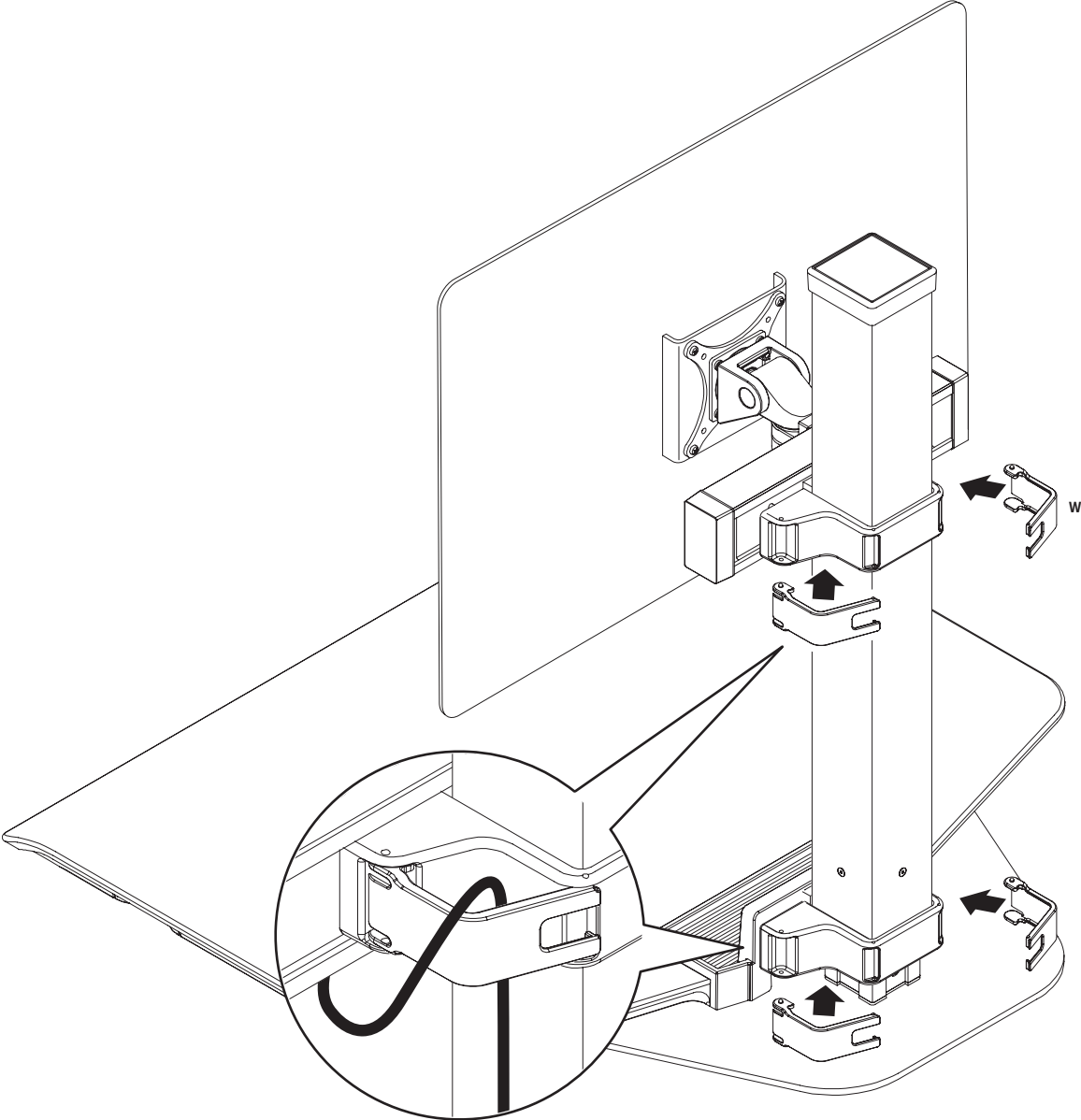
2



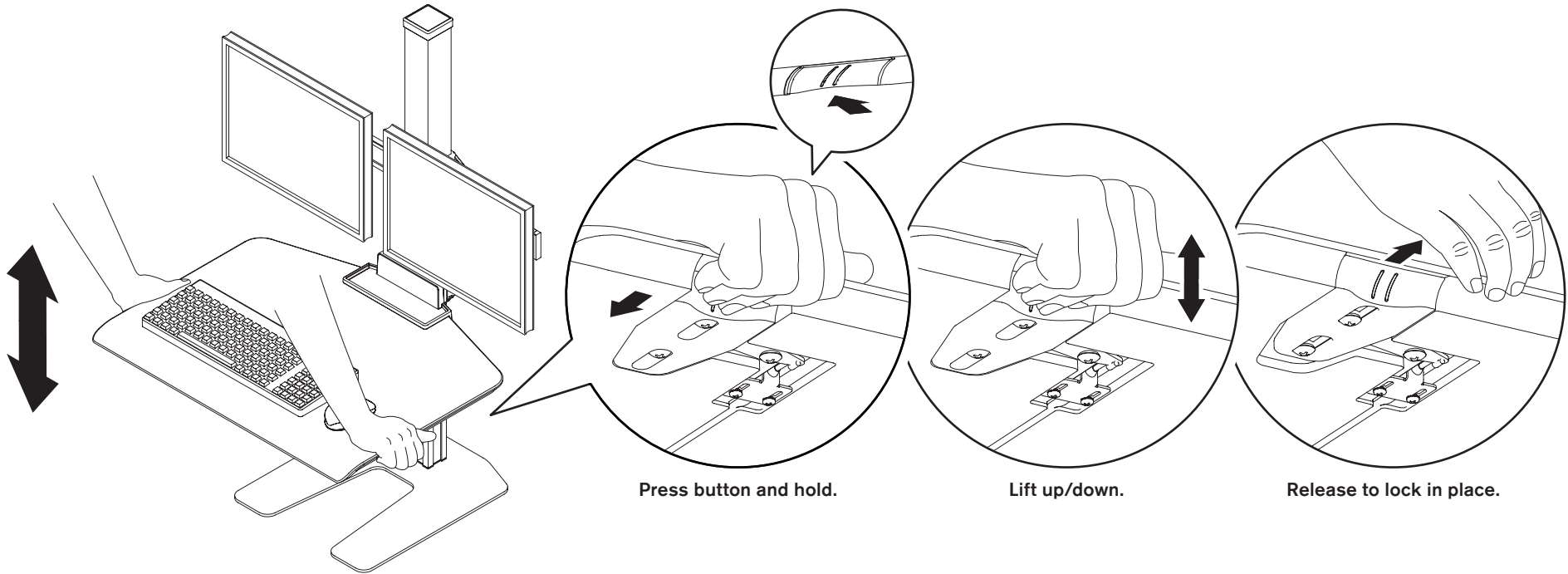
STEP 7

CABLE MANAGEMENT

1



HEIGHT ADJUSTMENT



i **Is your height adjust button not working?**
If so, make the adjustments below.

- 1 Slide workstation so that the work surface hangs over desk edge to allow access to underneath the work surface.
- 2 Loosen the two screws as shown.
- 3 Slide bracket in the direction shown and tighten screws.
- 4 Test height adjust button – readjust by repeating the steps above as necessary.

