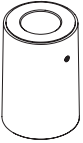
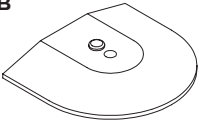
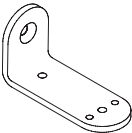
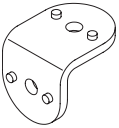
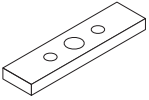
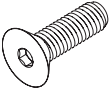


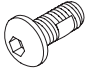
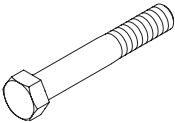
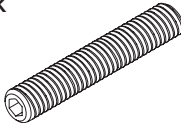
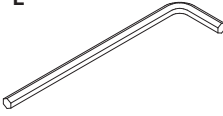

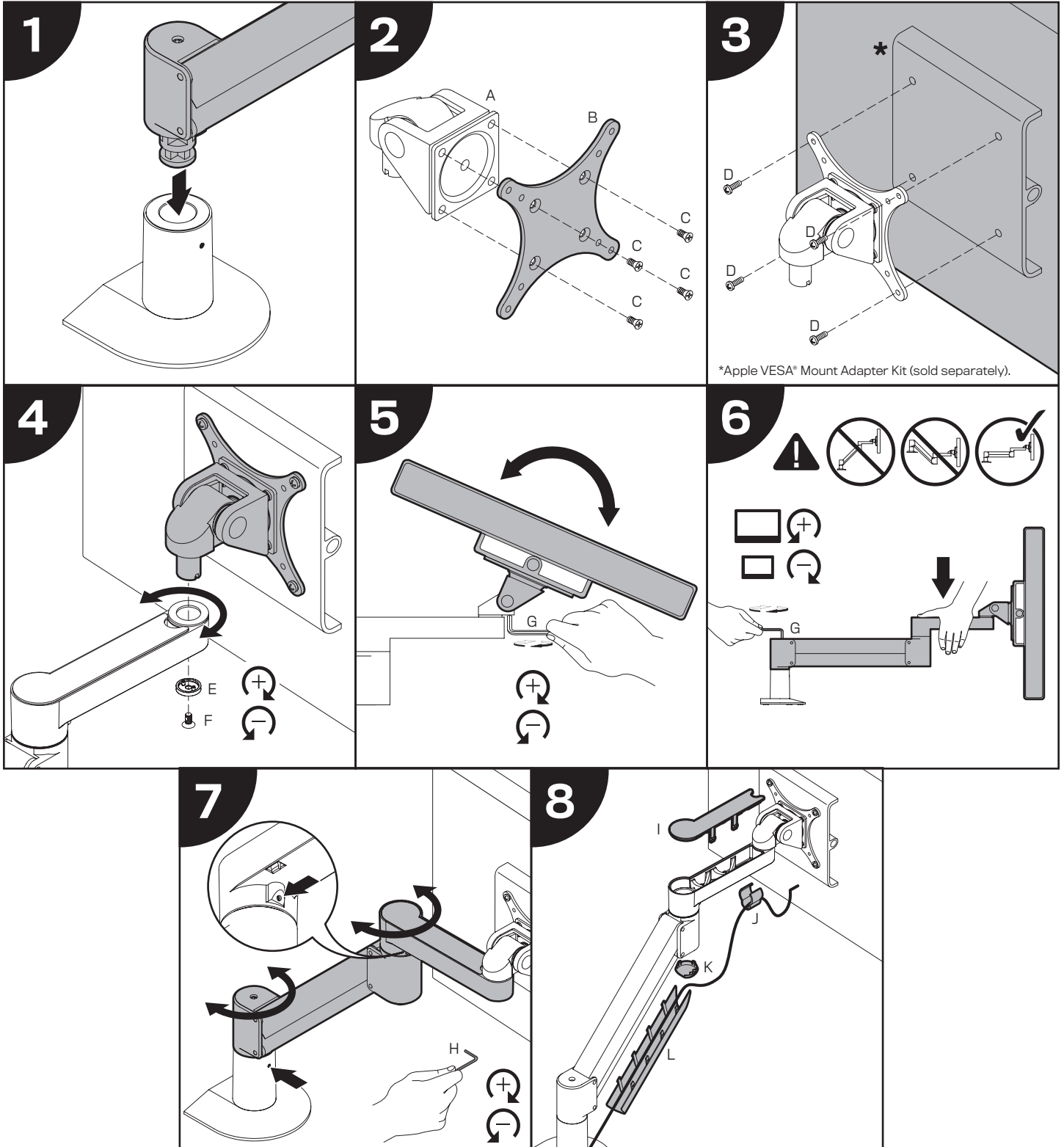


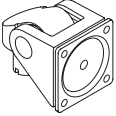


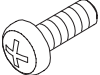
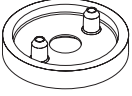

# PARTS LIST

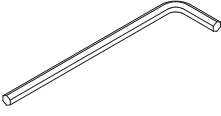

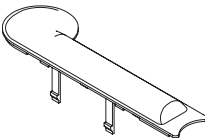
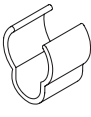

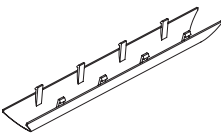
ITEM	DESCRIPTION / PART NO.	QUANTITY
A	 <b>Mount Column</b> 407602	1
B	 <b>Base Plate</b> 8321	1
C	 <b>Large "L" Bracket</b> 702828	1
D	 <b>Small "L" Bracket</b> 111728	1
E	 <b>Rectangular Spacer</b> 701544	1
F	 <b>3/8-16 x 1-1/4" Flat Socket Cap Screw</b> 701855	1
G	 <b>3/8-16 x 1/2" BHSCS</b> 702898	1

ITEM	DESCRIPTION / PART NO.	QUANTITY
H	 <b>3/8-16 Nylon Stop Nut</b> 701418	1
I	 <b>3/8-16 x 7/8" Button Socket Cap Screw</b> 701122	1
J	 <b>3/8-16 x 2-1/2" Hex Head Bolt</b> 700268	1
K	 <b>1/2-13 x 3" Socket Set Screw</b> 701126	1
L	 <b>7/32" Allen Wrench</b> 701127	1
M	 <b>3/32" Allen Wrench</b> 700146	1



# PARTS LIST

ITEM	DESCRIPTION / PART NO.	QUANTITY
<b>A</b>	 <b>Spring-Assisted Monitor Tilter</b> 407747	<b>1</b>
<b>B</b>	 <b>75/100mm VESA Adapter Plate</b> 105587	<b>1</b>
<b>C</b>	 <b>10-32 x 3/8" Phillips Flat Head Screw</b> 702281	<b>1</b> (4-pack)
<b>D</b>	 <b>M4 x 12mm Phillips Pan Head Screw</b> 702096	<b>1</b> (4-pack)
<b>E</b>	 <b>Dog Washer</b> 105189	<b>1</b>
<b>F</b>	 <b>10-32 x 3/8" FPhMS w/Lock Patch</b> 705198	<b>1</b>

ITEM	DESCRIPTION / PART NO.	QUANTITY
<b>G</b>	 <b>7/32" Allen Wrench</b> 701127	<b>1</b>
<b>H</b>	 <b>3/32" Allen Wrench</b> 700146	<b>1</b>
<b>I</b>	 <b>Forearm Cap</b> 111900	<b>1</b>
<b>J</b>	 <b>Forearm Cap</b> 111900	<b>1</b>
<b>K</b>	 <b>Endcap Bumper</b> 702829	<b>1</b>
<b>L</b>	 <b>Cable Cap</b> 109344	<b>1</b>