

Model 8424

Secure iPad® Holder



Flexible Height

APPLICATIONS

- ▲ Effortless height adjustment
- ▲ Combine with any Innovative monitor arm
- ▲ Cable management



Intuitive movement

Easily rotate tablet from portrait to landscape

Fixed Height

APPLICATIONS

- ▲ Durable construction stands up to retail use and abuse
- ▲ Swivel and tilt tablet—lock in place if desired
- ▲ Internal cable management



Keeps cables safe and out of harms way with internal cable management

Tilt tablet to desired angle

Wall

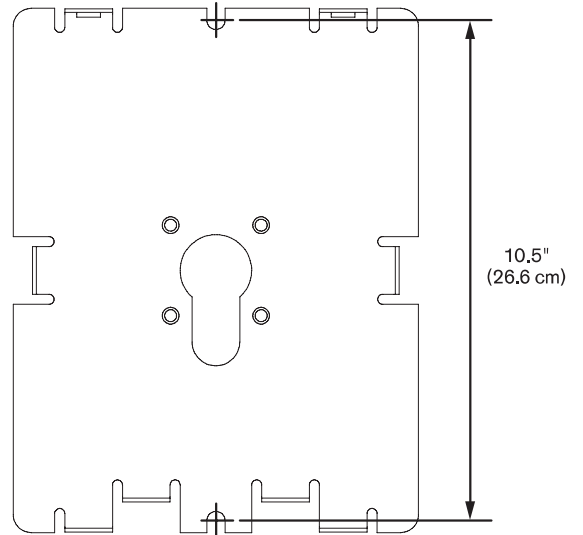
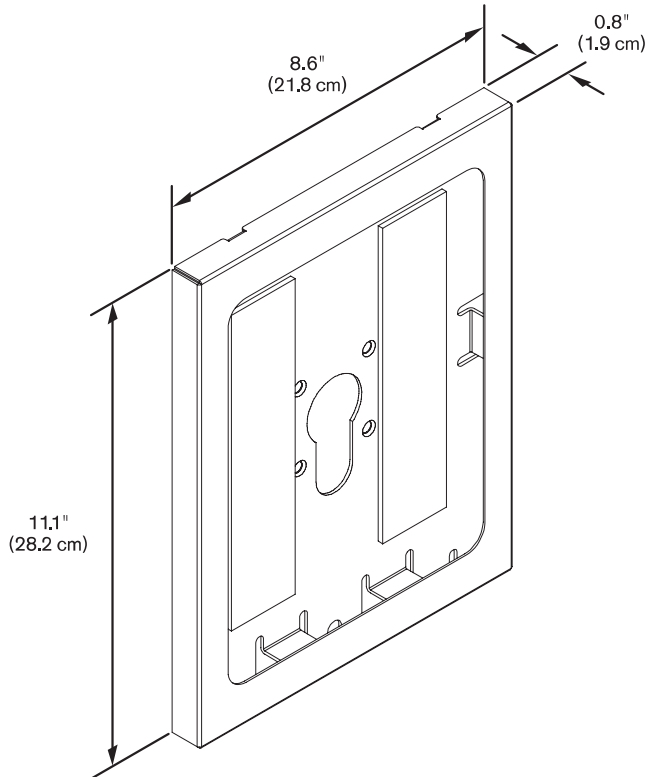
- ▲ Mounts directly to wall
- ▲ Cables exit through back of mount—kept entirely out of view
- ▲ Fast setup



Home Button
Secure iPad® Holder with home button access is available.

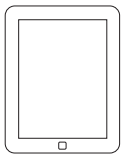
Model 8424

Specifications

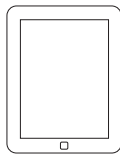


Wall Mount Pattern

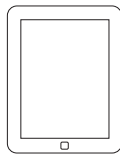
COMPATIBILITY



iPad®
1st
generation



iPad 2®
2nd
generation



iPad®
3rd
generation

iPad is a registered trademark of Apple, Inc.



Phone: 800.524.2744 | Fax: 610.253.9521 | E-mail: sales@LCDarms.com | Web: www.LCDarms.com

This product is protected by one or more of the following U.S. Patent Nos. and other United States and foreign patents applied for: 119,345, 119,346, 1,324,842, 2,470,525, 6,076,795, 6,273,393, 6,409,134, 6,478,274, 6,499,704, 6,505,988, 6,609,691, 6,19,606, 6,719,253, 6,726,167, 6,736,364, 6,783,105, 6,854,698, 6,915,994, 6,935,883, 6,955,328, 6,983,917, 6,986,489, 7,014,157, 7,017,874, 7,048,242, 7,059,574, 7,063,296, 7,066,433, 7,066,435, 7,389,965, 7,665,699, D435,852, D491,952, D492,893, D570,853, D575,293.

LIT-1112 REV B