

STEP 1 | MOUNTS Page 3

STEP 2 | CENTER BEAM Page 4

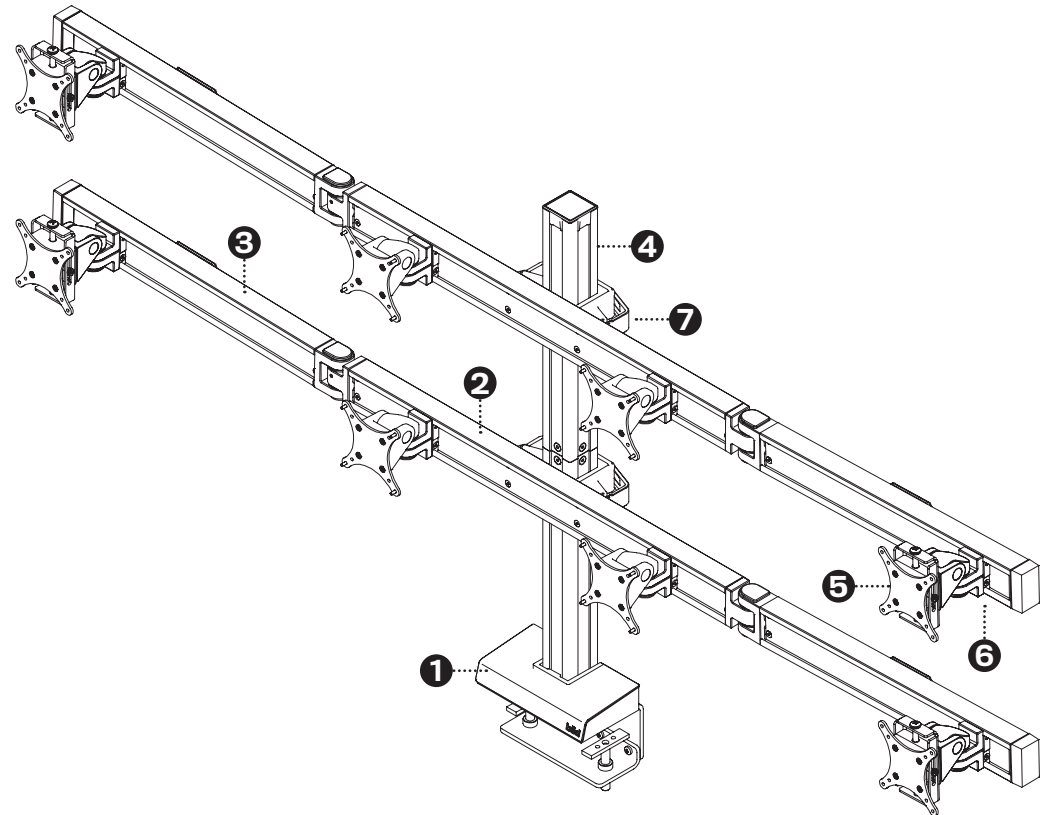
STEP 3 | EXTENSION BEAMS (optional) Page 6

STEP 4 | DUAL TIER COLUMN (optional) Page 7

STEP 5 | MONITOR TILTER Page 8


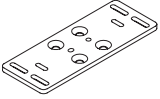
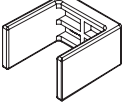
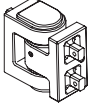
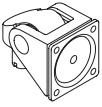
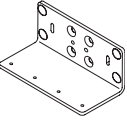
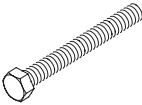
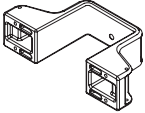
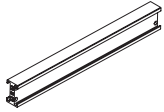
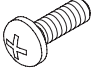
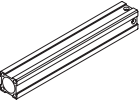

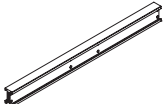
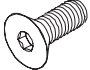
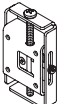


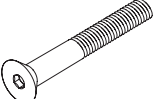
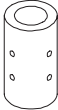
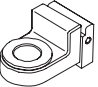
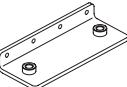
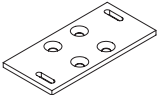



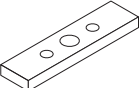






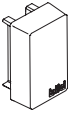

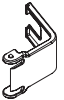
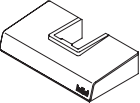


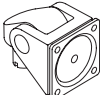

STEP 6 | MONITOR CUPS Page 9

STEP 7 | CABLE MANAGEMENT Page 10



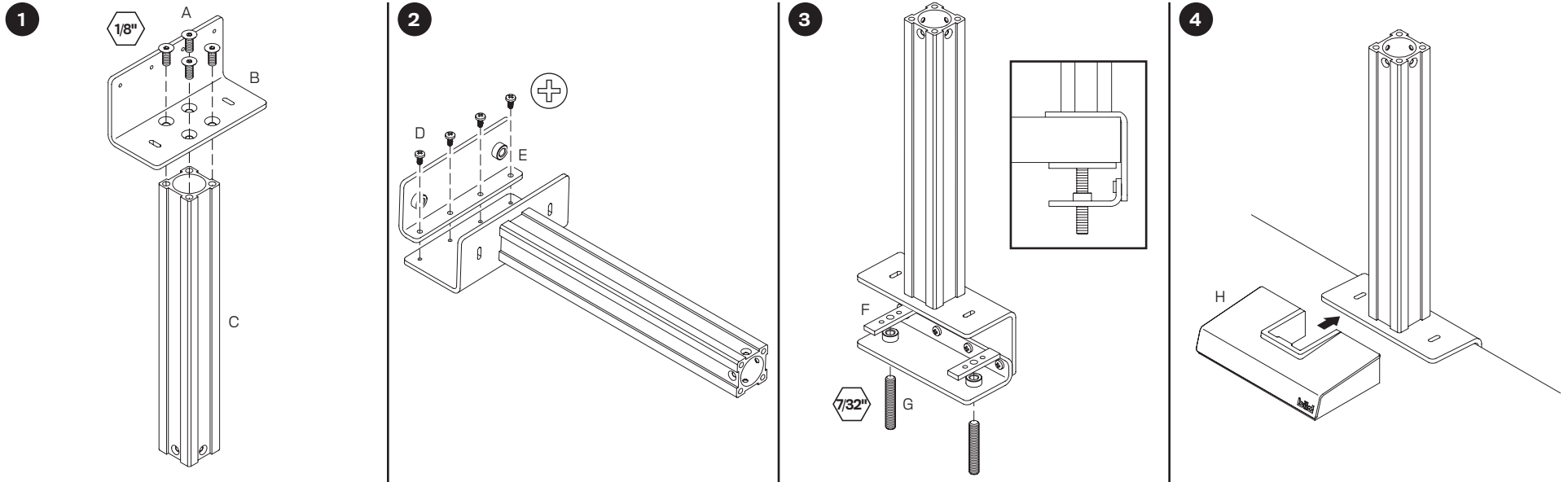
PARTS LIST

Note: Depending on your Bild® configuration, you may not receive all parts shown below.

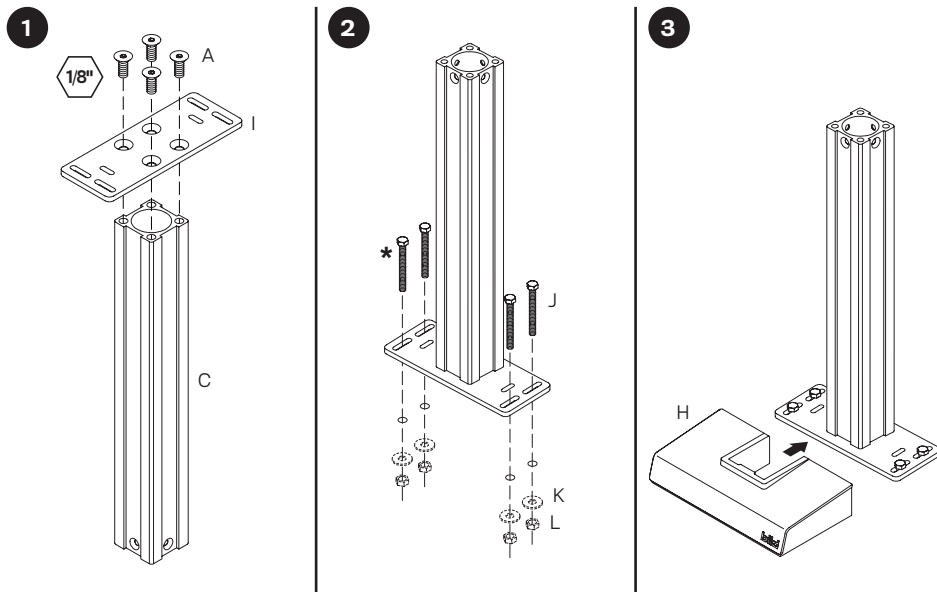
<p>A 3/8-16 X 1" FHSCS 701124</p> 	<p>I Thru Mount Base Plate 110978</p> 	<p>Q Column Clamp Spacer 111193</p> 	<p>Y Hinge 411491</p> 	<p>GG HD Monitor Tilter 407747</p> 
<p>B Large "L" 111311</p> 	<p>J 1/4-20 x 2-1/2" Hex Head Bolt 711570</p> 	<p>R Column Clamp 111040</p> 	<p>Z Extension Beam (10" or 20") 111098-10 or 111098-20</p> 	<p>HH M4 x 12mm PhPHS (4-pack) 702096</p> 
<p>C Static Column xxxxxx</p> 	<p>K Thru Mount Washer 711572</p> 	<p>S Center Beam (30") 111098-30</p> 	<p>AA 10-32 x 9/16" FHSCS 711100</p> 	<p>II Fine Tune Adjust Adapter 8473</p> 
<p>D 1/4-20 x 1/2" PhPHS 700435</p> 	<p>L Thru Mount Nut 711571</p> 	<p>T FHSCS 10-32 x 1-1/2" 711101</p> 	<p>BB Column Link 111197</p> 	<p>JJ Monitor Cup 411351</p> 
<p>E Small "L" 111312</p> 	<p>M Rail Mount Base Plate 111465</p> 	<p>U 1/8" Allen Wrench 701312</p> 	<p>CC 1/4-20 x 1/2" FHSCS 700787</p> 	<p>KK Dog Washer 111230-603</p> 
<p>F Spacer 701544</p> 	<p>N Rail Mount Drop-In Nut 711466</p> 	<p>V 7/32" Allen Wrench 701127</p> 	<p>DD 10-32 x 3/8" PhFHS (4-pack) 702281</p> 	<p>LL 10-32 x 1/2" FHSCS 711240</p> 
<p>G 1/2-13 x 3" Set Screw 701126</p> 	<p>O Rail Mount Knob 109567</p> 	<p>W End Cap 111159-708</p> 	<p>EE 75/100mm VESA Adapter 105587</p> 	<p>MM Column Cable Clip 111203-708</p> 
<p>H Base Plate Cover 111192</p> 	<p>P Rail Mount Washer 702056</p> 	<p>X Column Cap 111204</p> 	<p>FF Standard Monitor Tilter 405397</p> 	<p>NN Extension Beam Cable Clip 111252</p> 

MOUNTS

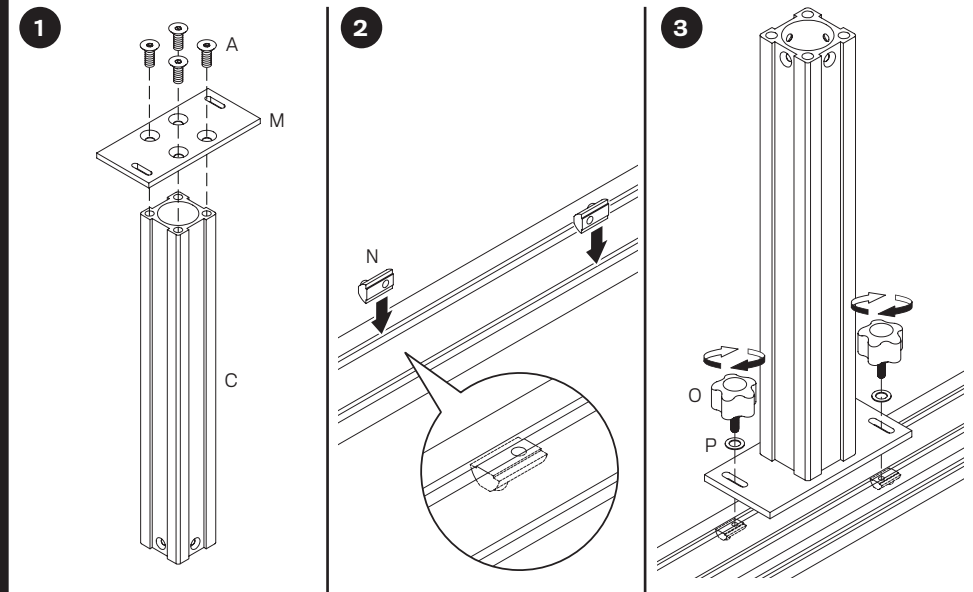
CLAMP MOUNT



THRU MOUNT

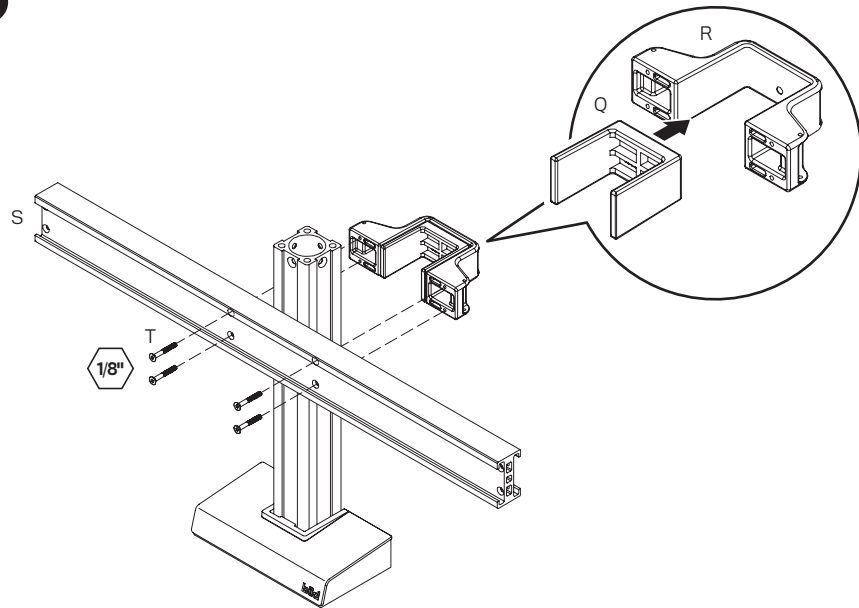


RAIL MOUNT

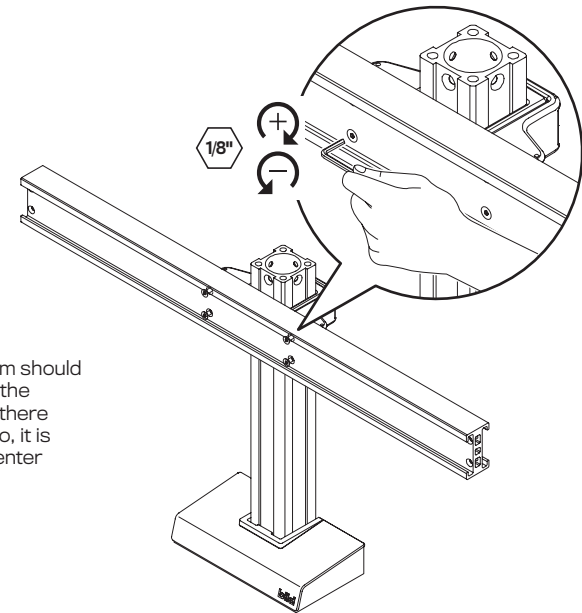


CENTER BEAM

1

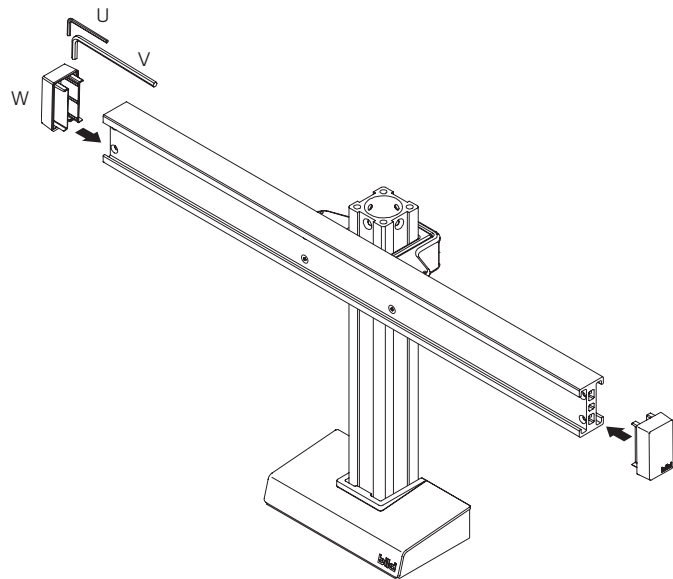


2

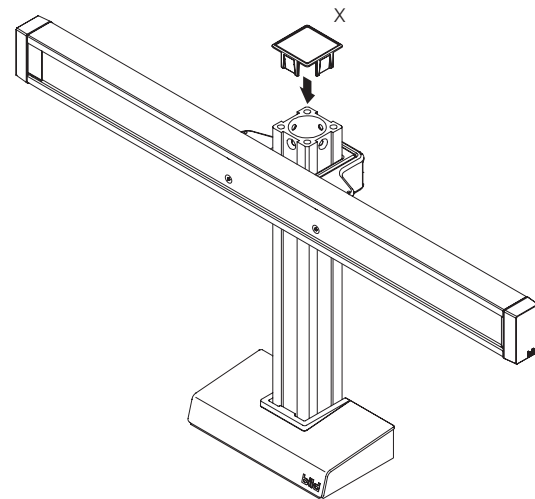


NOTE: The beam should sit flush against the column, ensure there are no gaps. Also, it is important the center beam is level.

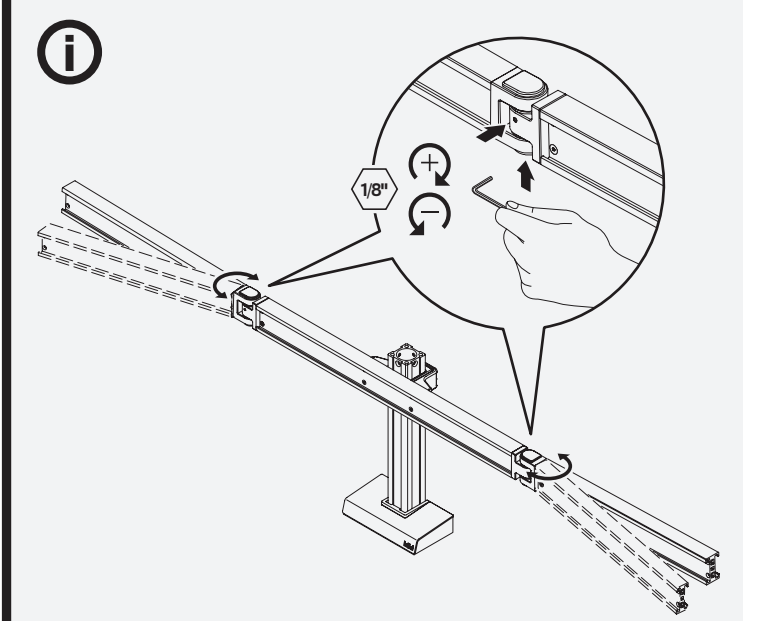
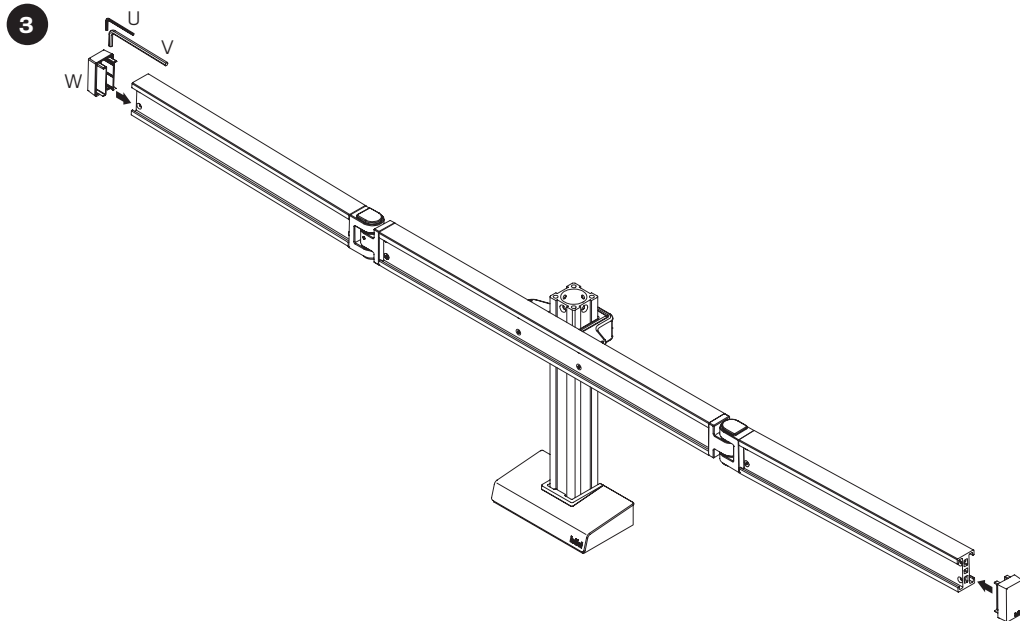
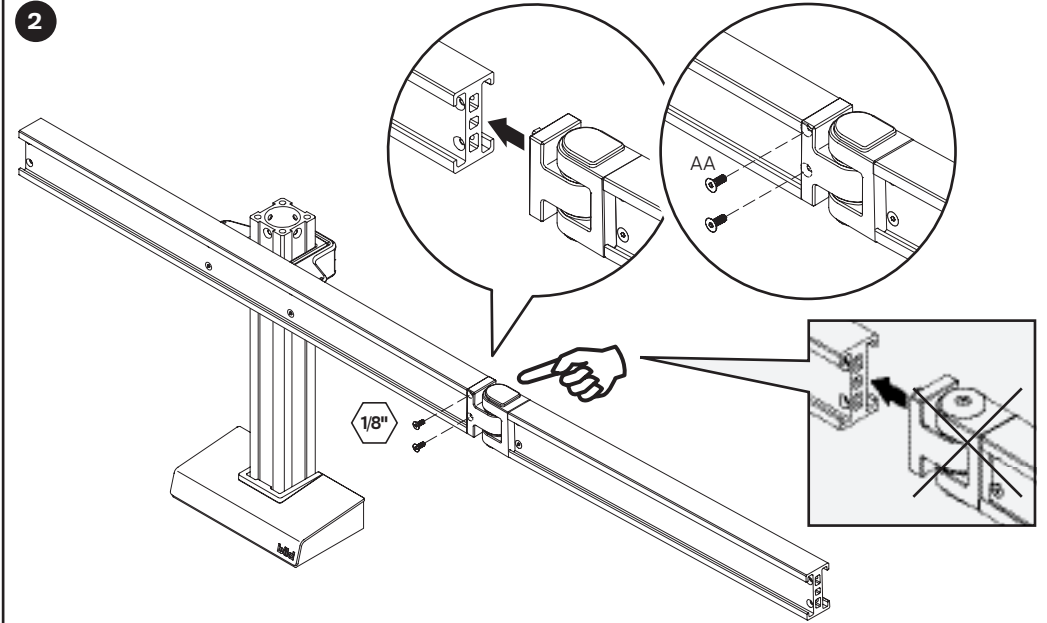
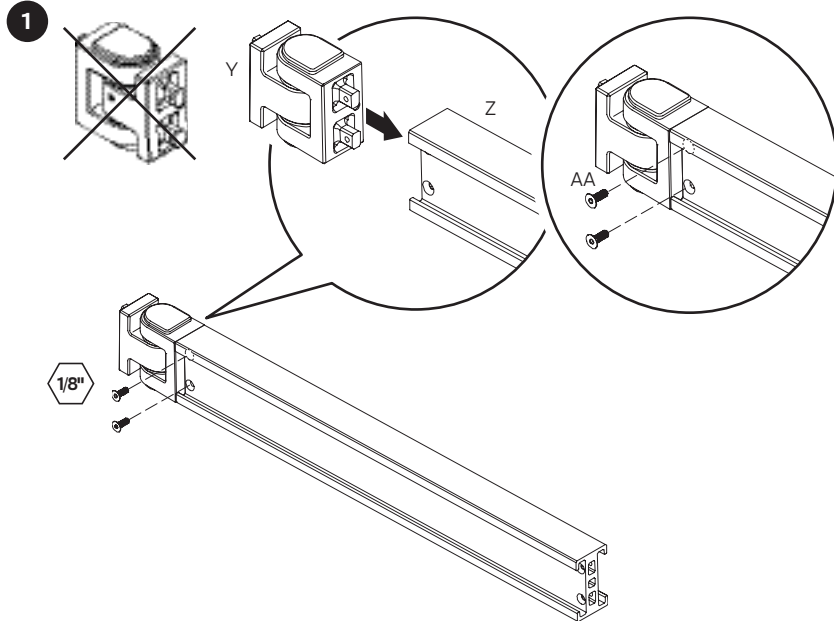
3



4

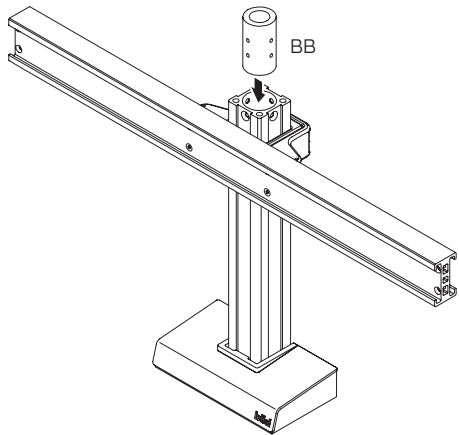


EXTENSION BEAMS

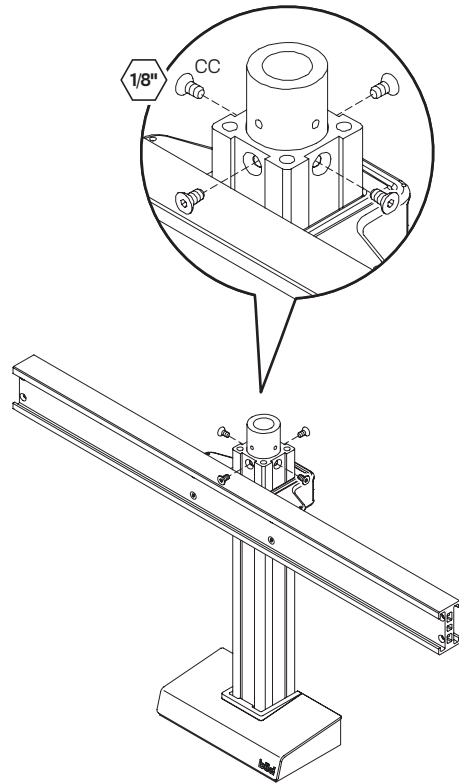


DUAL TIER COLUMN

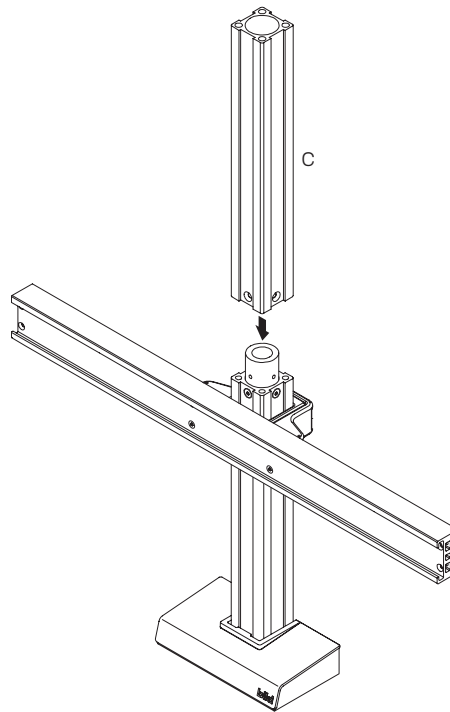
1



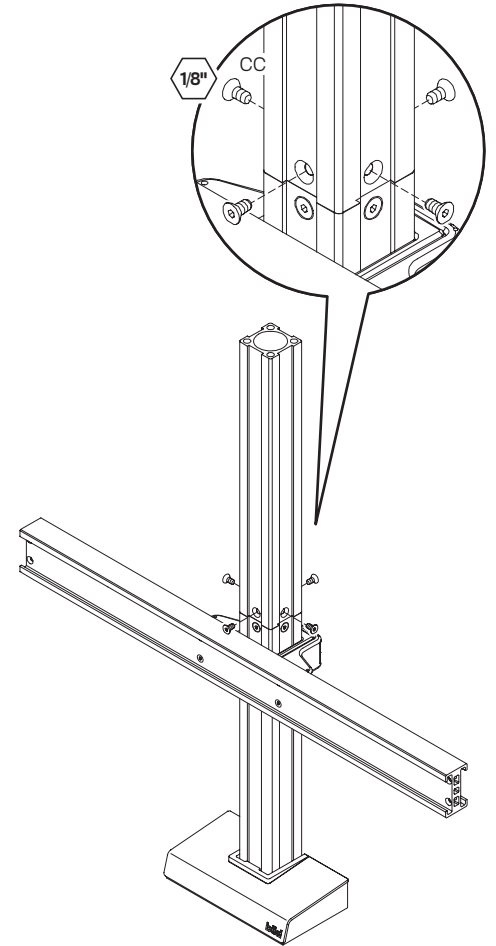
2



3



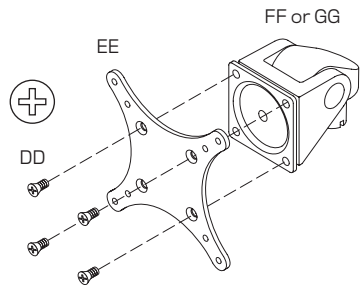
4



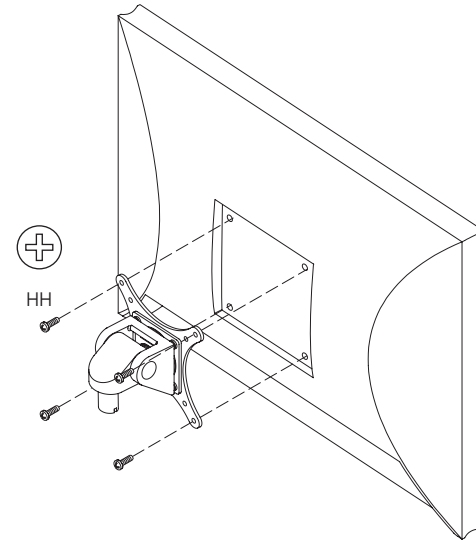
MONITOR TILTER

STANDARD TILTER & SPRING TILTER

1

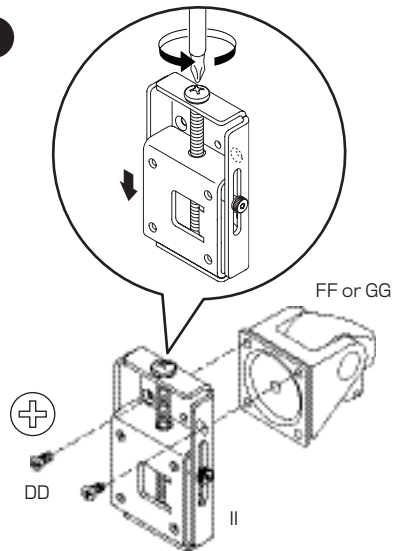


2

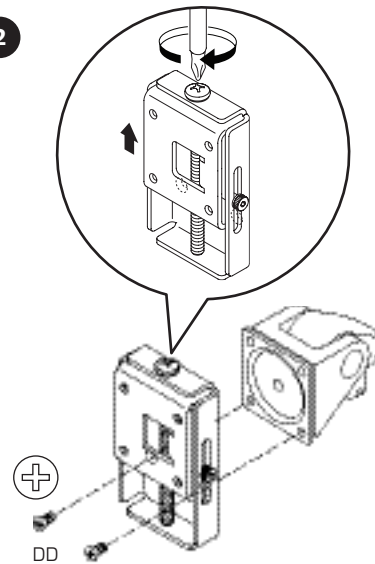


FINE TUNE HEIGHT ADJUST TILTER

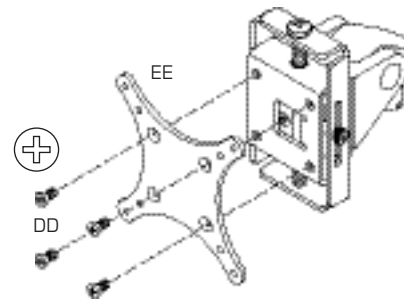
1



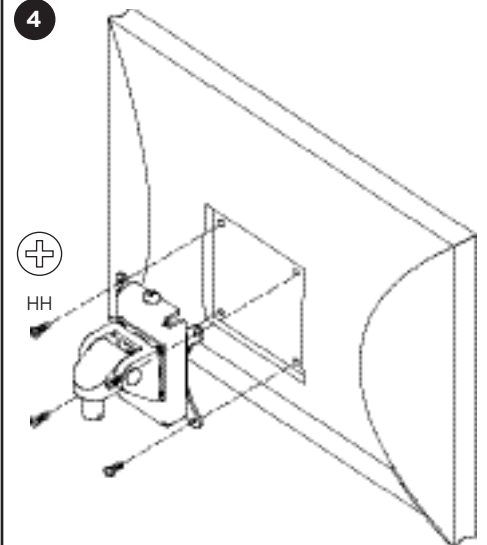
2



3

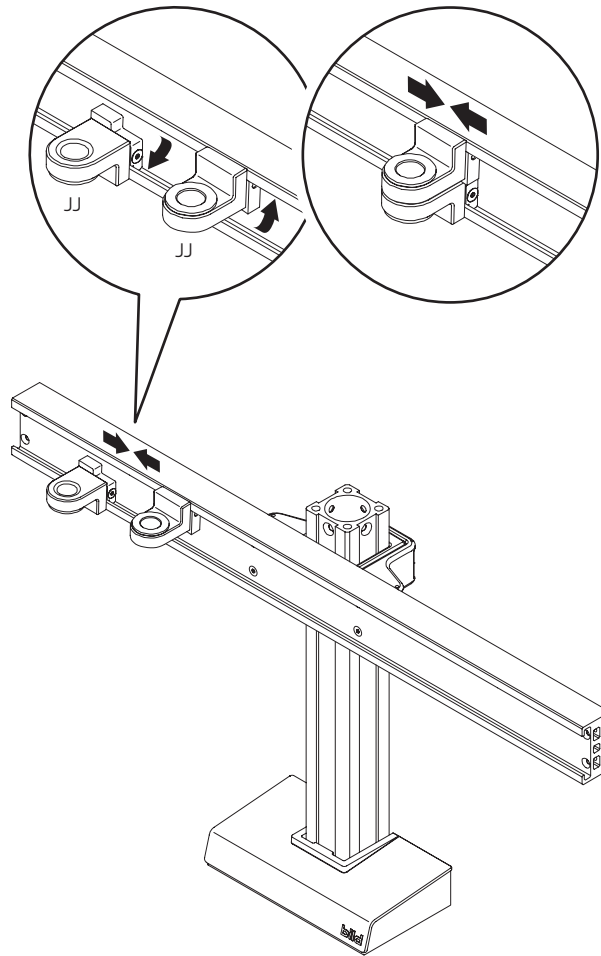


4

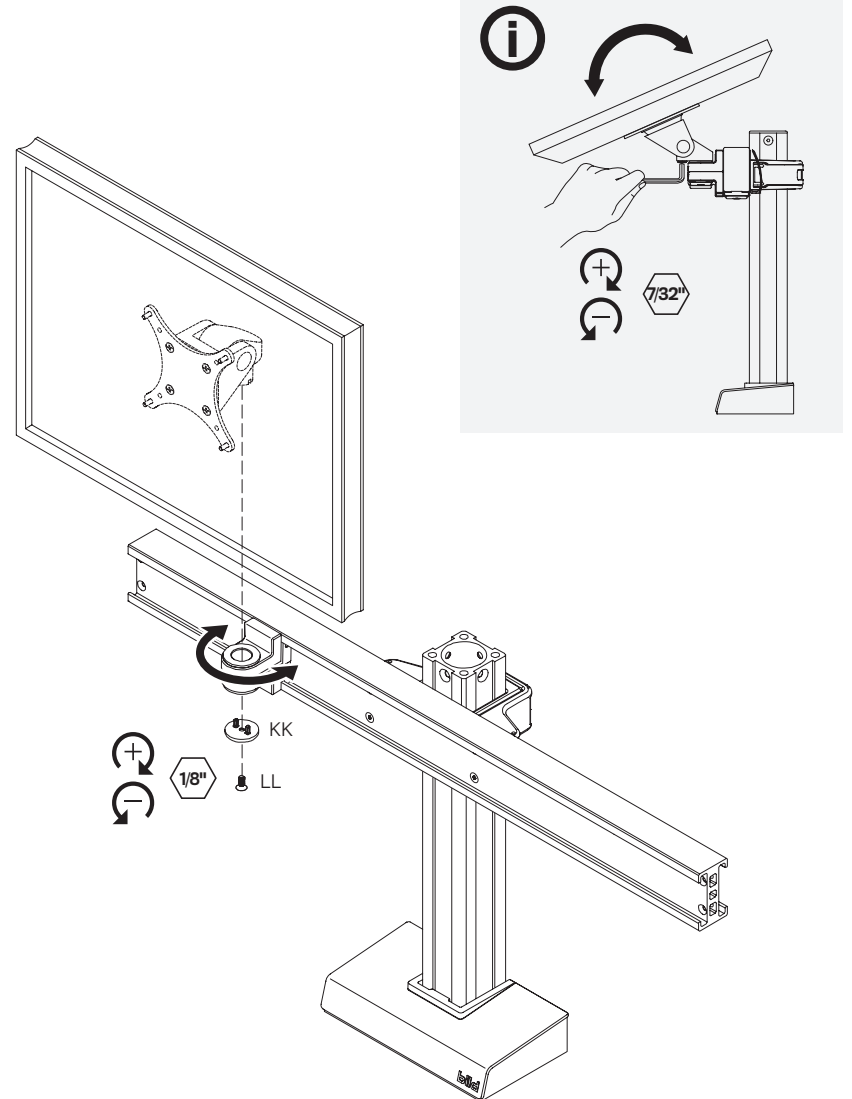


MONITOR CUPS

1

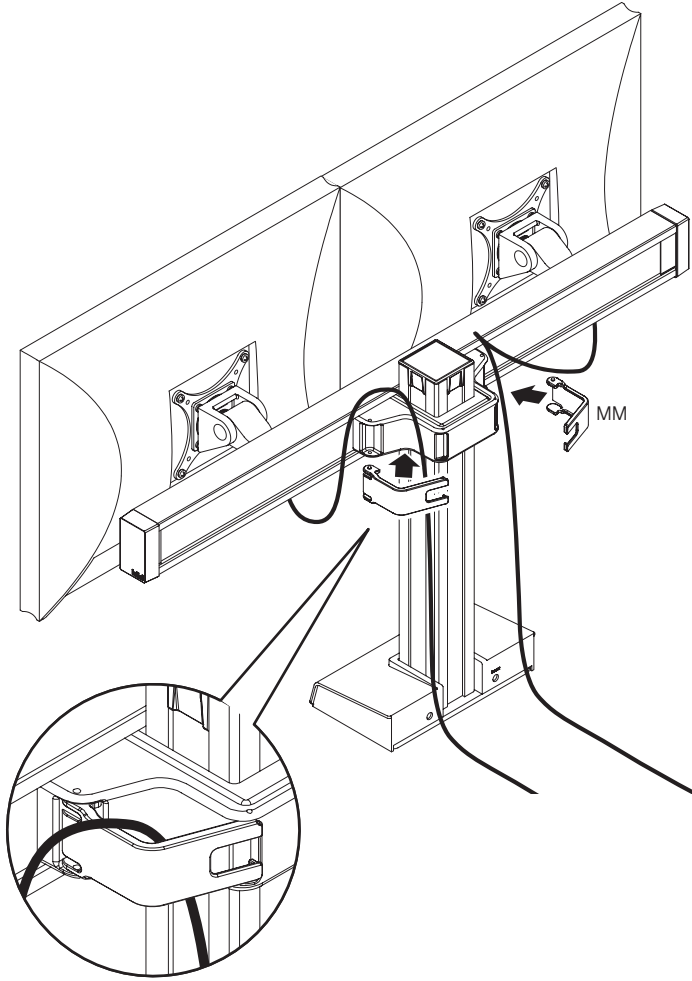


2



CABLE MANAGEMENT

1



2

