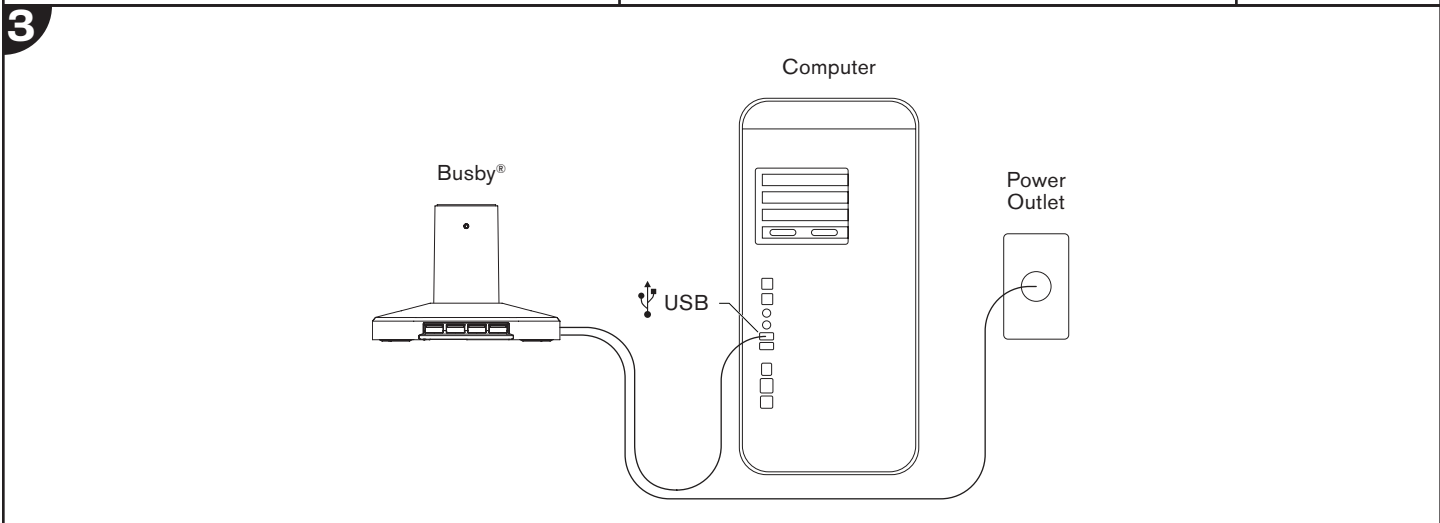
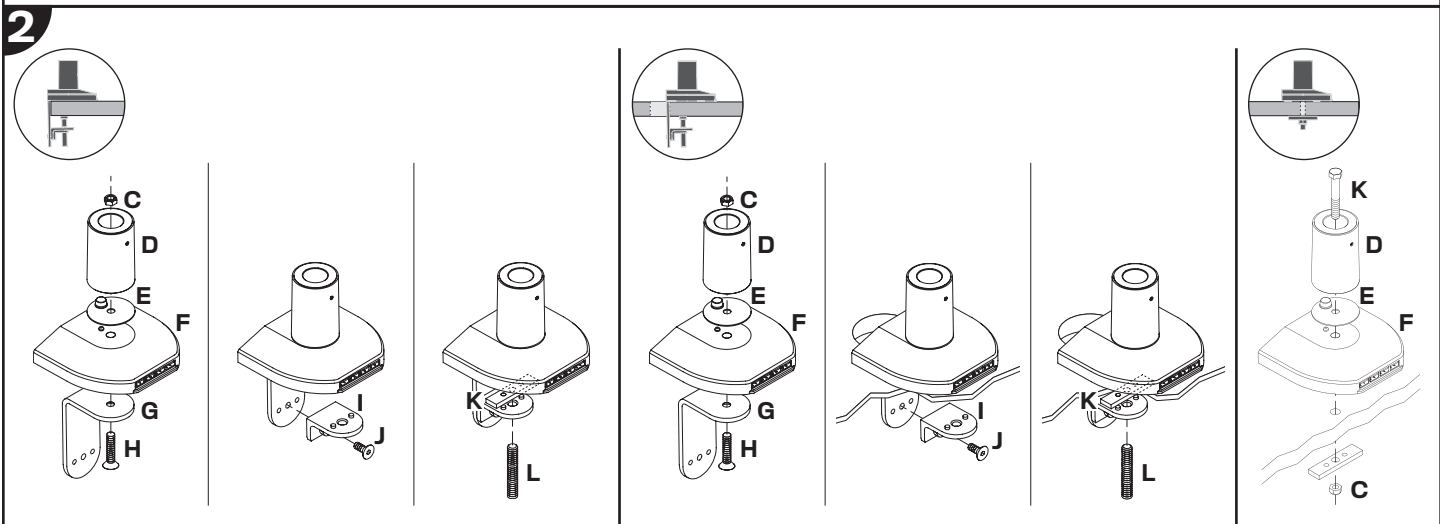
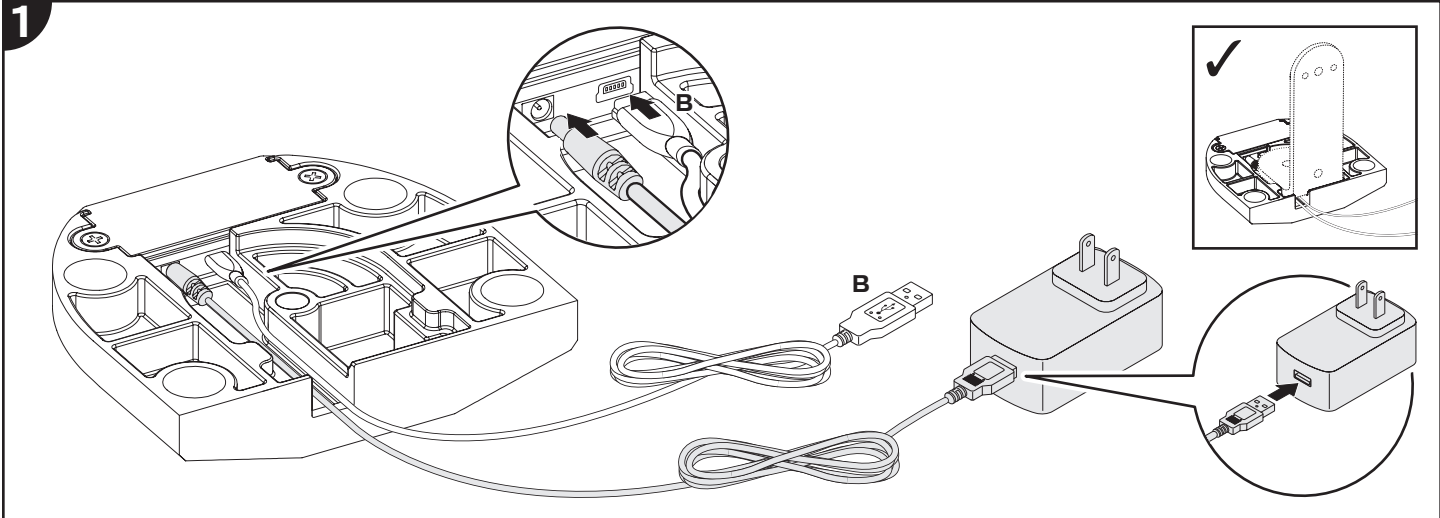
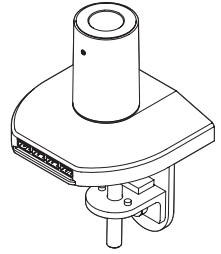


Innovative Ergonomic Solutions companies

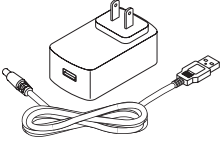


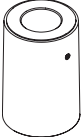
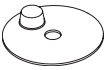

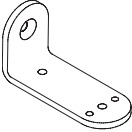
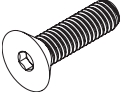
BUSBY® 8451-75

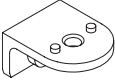
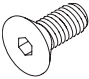
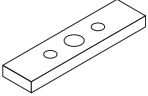
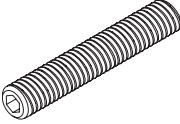
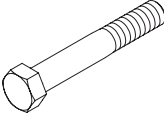
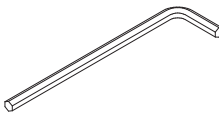

Installation Instructions



BUSBY® 8451-75

Parts List

ITEM QUANTITY	DESCRIPTION / PART NO.
A 1	 Power Cord & Adapter 710884
B 1	 USB Data Cable 710600
C 1	 3/8-16 Nylon Stop Nut 701418
D 1	 Mount Column 407602
E 1	 Adapter Bushing 110643
F 1	 Busby® Base Plate 410732
G 1	 Large "L" Bracket 702828
H 1	 3/8-16 x 1-3/4" Flat Socket Cap Screw 710644

ITEM QUANTITY	DESCRIPTION / PART NO.
I 1	 Small "L" Bracket 701116
J 1	 3/8-16 x 7/8" Flat Socket Cap Screw 701799
K 1	 Rectangular Spacer 701544
L 1	 1/2-13 x 3" Socket Set Screw 701126
M 1	 3/8-16 x 2-1/2" Hex Head Bolt 701964
N 1	 7/32" Allen Wrench 701127
O 1	 3/32" Allen Wrench 700146