



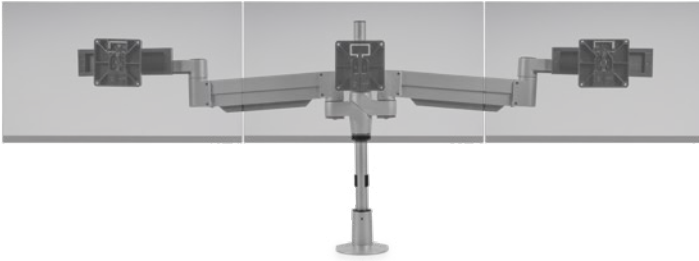
**STAXX™**  
MONITOR ARMS



**HAT**  
DESIGN WORKS™  
HUMAN ACTIVE TECHNOLOGY

## MODULAR FLEXIBILITY.

Designed for modularity, this groundbreaking display system can accommodate up to six monitors using a single mount. Staxx™ is a completely configurable pole-based solution allowing the addition of monitors by stacking more of the same parts on top of each other.

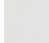




### FEATURES

- **Scalable:** Easy to install and reconfigure.
- **Capable:** Mount large screens stacked or side by side.
- **Customizable:** Available in a wide range of sizes and configurations.
- **Adjustable:** Flexible extension arms provide easy positioning and personalized viewing angles.
- **Compatible:** VESA-monitor compatible – VESA adapter(s) included.
- **Sliders:** Allows the user to fine tune monitor positioning and achieve their ideal viewing angle when utilizing 2 or more monitors (available in four configurations).

### SPECIFICATIONS

#### Finishes

	Flat White 248
	Silver 124
	Vista Black 104

**Mount:** Desk Edge, Grommet

**Compatibility:** Up to 1.5" desk thickness

#### Mount Conversion Kits

8524-TM-CK: Thru Mount Conversion Kit  
8524-FM-CK: FlexMount Conversion Kit

See pages 3-5 for additional specs

### WARRANTY

10 Years

STAXX STANDARD



**STAXX SINGLE**

**Screen Size:** Up to 50"

**Weight Capacity:** Up to 30 lbs.

**Part Number:** STX-01S-\_\_\_

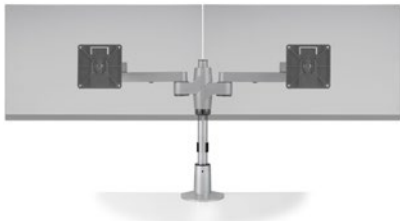


**STAXX ONE OVER ONE**

**Screen Size:** Up to 30"

**Weight Capacity:** Up to 20 lbs. per monitor

**Part Number:** STX-11S-\_\_\_

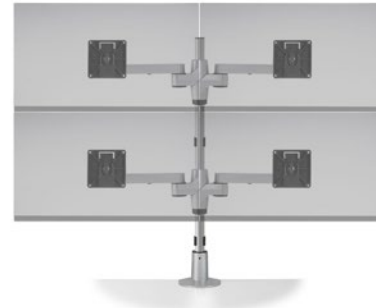


**STAXX DUAL**

**Screen Size:** Up to 24"

**Weight Capacity:** Up to 20 lbs. per monitor

**Part Number:** STX-02S-\_\_\_

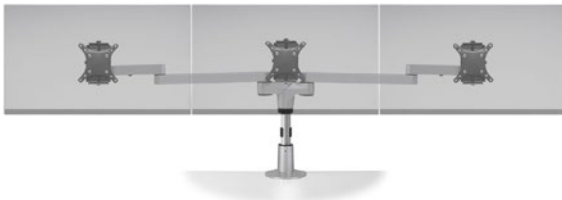


**STAXX TWO OVER TWO**

**Screen Size:** Up to 24"

**Weight Capacity:** Up to 15 lbs. per monitor

**Part Number:** STX-22S-\_\_\_

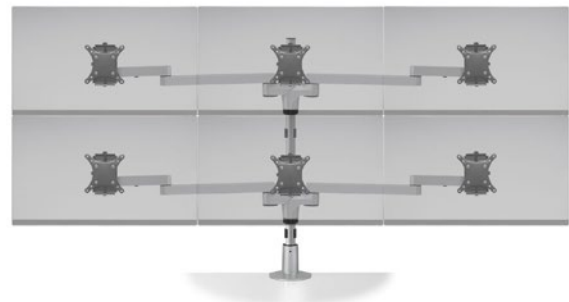


**STAXX TRIPLE**

**Screen Size:** Up to 24"

**Weight Capacity:** Up to 15 lbs. per monitor

**Part Number:** STX-03S-\_\_\_



**STAXX THREE OVER THREE**

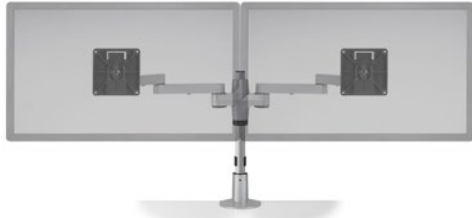
**Screen Size:** Up to 24"

**Weight Capacity:** Up to 10 lbs. per monitor

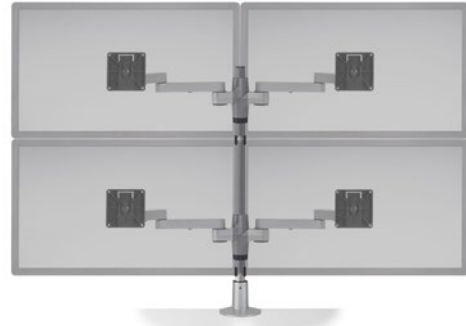
**Part Number:** STX-33S-\_\_\_



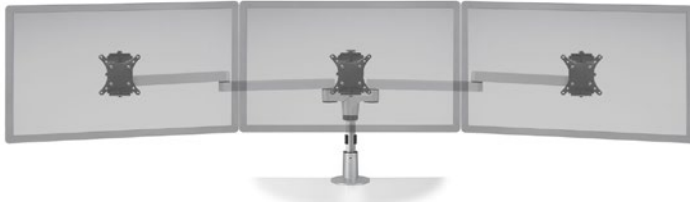
STAXX WIDE



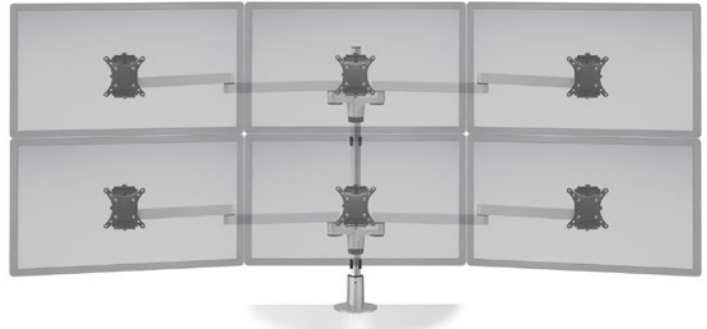
**STAXX DUAL WIDE**  
**Screen Size:** 24" - 30"  
**Weight Capacity:** Up to 20 lbs. per monitor  
**Part Number:** STX-02W-\_\_



**STAXX TWO OVER TWO WIDE**  
**Screen Size:** 24" - 30"  
**Weight Capacity:** Up to 15 lbs. per monitor  
**Part Number:** STX-22W-\_\_



**STAXX TRIPLE WIDE**  
**Screen Size:** 24" - 30"  
**Weight Capacity:** Up to 15 lbs. per monitor  
**Part Number:** STX-03W-\_\_



**STAXX THREE OVER THREE WIDE**  
**Screen Size:** 24" - 30"  
**Weight Capacity:** Up to 10 lbs. per monitor  
**Part Number:** STX-33W-\_\_

STAXX ARTICULATING



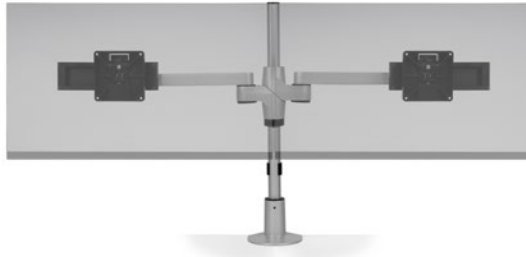
**STAXX DUAL ARTICULATING**  
**Screen Size:** Up to 27"  
**Weight Capacity:**  
 10 - 23 lbs. per monitor (STX-450-\_\_)  
 3 - 10 lbs. per monitor (STX-500-\_\_)  
 7 - 17 lbs. per monitor (STX-600-\_\_)  
 10 - 22 lbs. per monitor (STX-800-\_\_)  
 13 - 28 lbs. per monitor (STX-1000-\_\_)



**STAXX DUAL ARTICULATING w/LAPTOP HOLDER**  
**Screen Size:** Up to 27"  
**Weight Capacity:**  
**Monitor:**  
 10 - 23 lbs. (STX-450-8510-\_\_)  
 3 - 10 lbs. (STX-500-8510-\_\_)  
 7 - 17 lbs. (STX-600-8510-\_\_)  
 10 - 22 lbs. (STX-800-8510-\_\_)  
 13 - 28 lbs. (STX-1000-8510-\_\_)  
**Laptop:**  
 3 - 13.5 lbs.



STAXX WITH SLIDERS

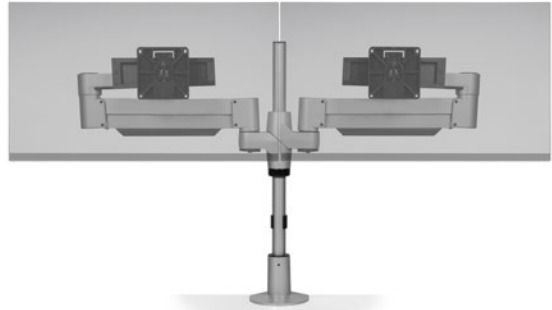


**STAXX DUAL WITH SLIDERS**

**Screen Size:** Up to 27" per monitor

**Weight Capacity:** Up to 20 lbs. per monitor

**Part Number:** STX-02-SLD-\_\_



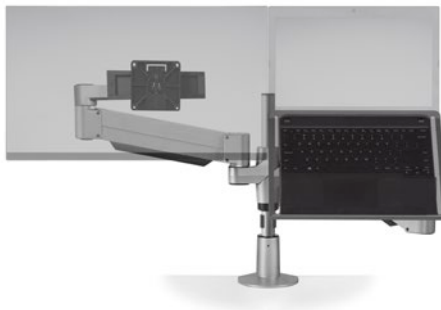
**STAXX DUAL ARTICULATING WITH SLIDERS**

**Screen Size:** Up to 27" per monitor

**Weight Capacity:**

3 - 10 lbs. per monitor (STX-2-500-SLD-\_\_)

Up to 20 lbs. per monitor (STX-2-800-SLD-\_\_)



**STAXX DUAL ARTICULATING  
w/LAPTOP HOLDER AND SLIDER**

**Screen Size:** Up to 27" per monitor

**Weight Capacity:**

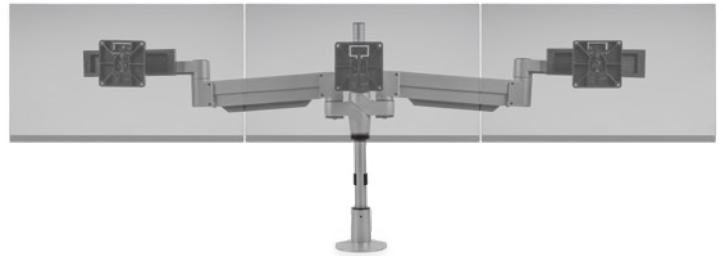
Monitor:

3 - 10 lbs. (STX-2-500-8510-SLD-\_\_)

Up to 20 lbs. (STX-2-800-8510-SLD-\_\_)

Laptop:

3 - 13.5 lbs.



**STAXX TRIPLE ARTICULATING WITH SLIDERS**

**Screen Size:** Up to 27" per monitor

**Weight Capacity:**

3 - 10 lbs. per monitor (STX-3S-500-SLD-\_\_)

Up to 20 lbs. per monitor (STX-3S-800-SLD-\_\_)

