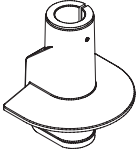
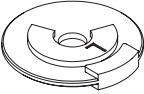



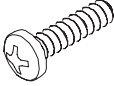

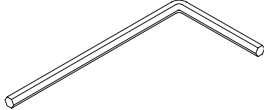

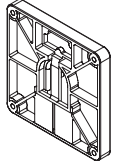
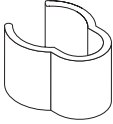

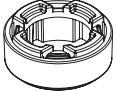
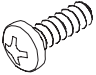
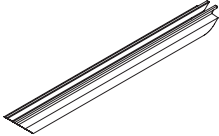
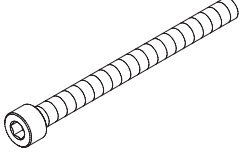
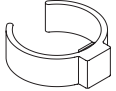
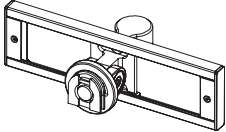
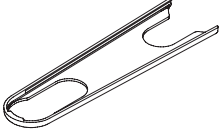
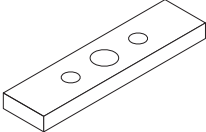

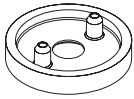




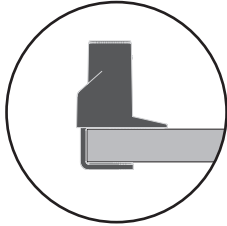
STX-2-XXX-SLD-YYY

PARTS LIST

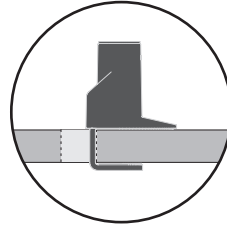
<p>A Top Down Mount 1x 8524</p> 	<p>G Rotation Stop for Articulating Arms 2x 113705</p> 	<p>M 10-32 x 3/8" FPhMS w/Lock Patch 2x 705198</p> 	<p>S 3/32" Allen Wrench 1x 700146</p> 
<p>B Dimpled Pole 1x 110607-20</p> 	<p>H M6 x 1mm Phillips Pan Head Screw 2x 105304</p> 	<p>N Pole Cap 1x 105195</p> 	<p>T 7/32" Allen Wrench 1x 701127</p> 
<p>C Stackable Mount 2x 413054</p> 	<p>I Quick Connect VESA Plate 2x 114808</p> 	<p>O Cable Clip 1x 104533</p> 	<p>U 4mm Allen Wrench 1x 709877</p> 
<p>D Pole Collar 1x 113332</p> 	<p>J M4 x 12mm Phillips Pan Head Screw 8x 701153</p> 	<p>P Cable Cap 2x 114810</p> 	<p>V* M8 x 95mm SCHS 1x 716061</p> 
<p>E Pole Clip 1x 113449</p> 	<p>K 9-inch Beam Assembly 2x 416088</p> 	<p>Q Forearm Cable Cap 2x 115584</p> 	<p>W* Spacer 1x 701544</p> 
<p>F Dog Washer for Articulating Arms 2x 113704</p> 	<p>L Dog Washer 2x 105189</p> 	<p>R 1/8" Allen Wrench 1x 701312</p> 	<p>X* Lock Nut 1x 710015</p> 

DESK CLAMP CONFIGURATION

1

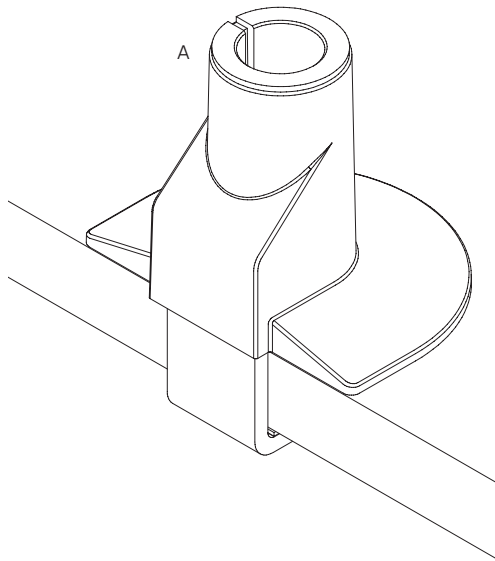


Desk thickness
up to 1.5" (3.8 cm)

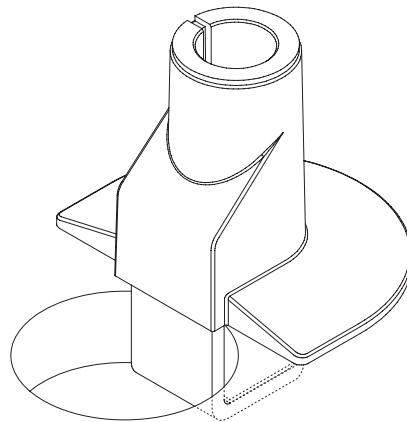


Desk thickness
up to 1.5" (3.8 cm)

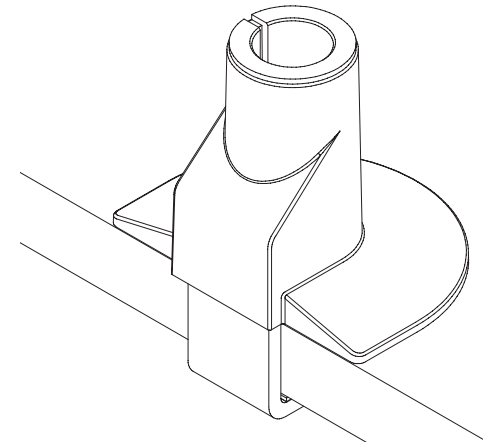
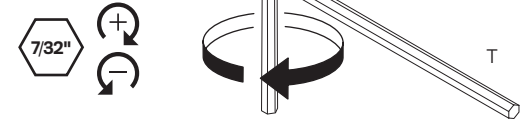
A



OR

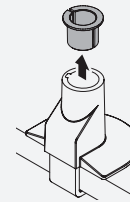


2

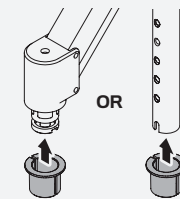


If the monitor arm or pole does not easily fit into the mount, remove the bushing from the mount and place it on the monitor arm or pole and press firmly back into the mount.

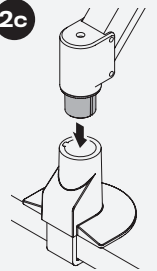
2a



2b

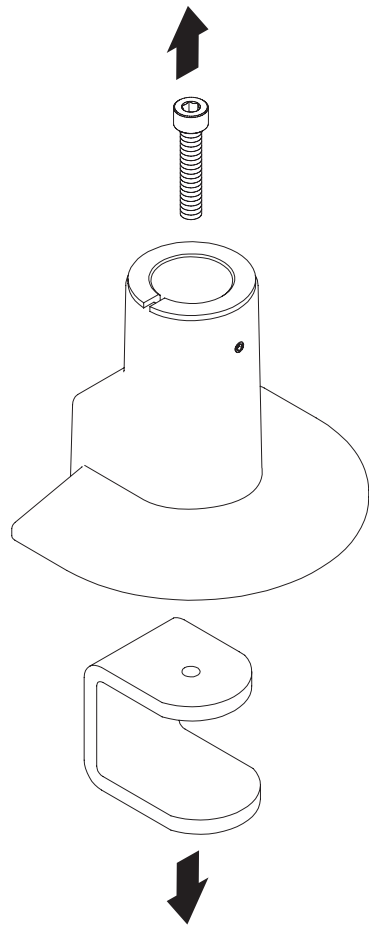


2c

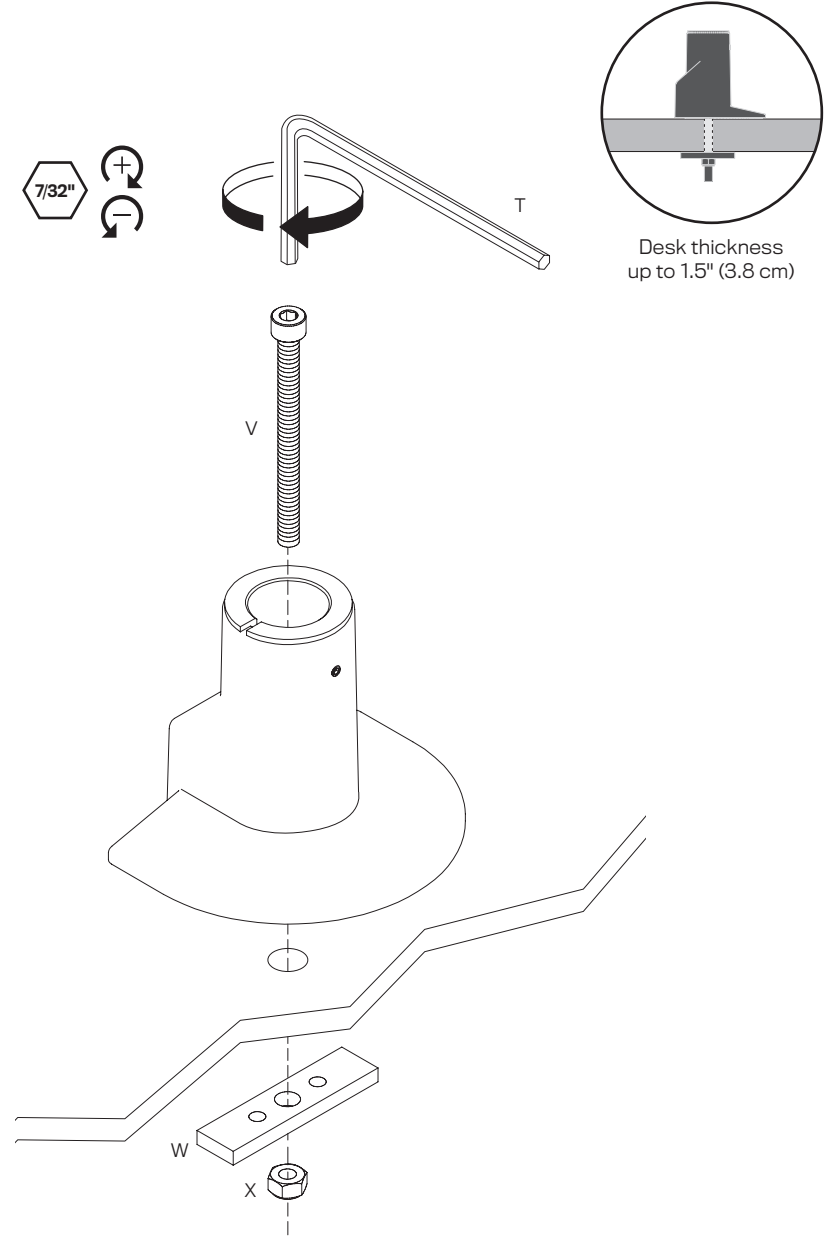


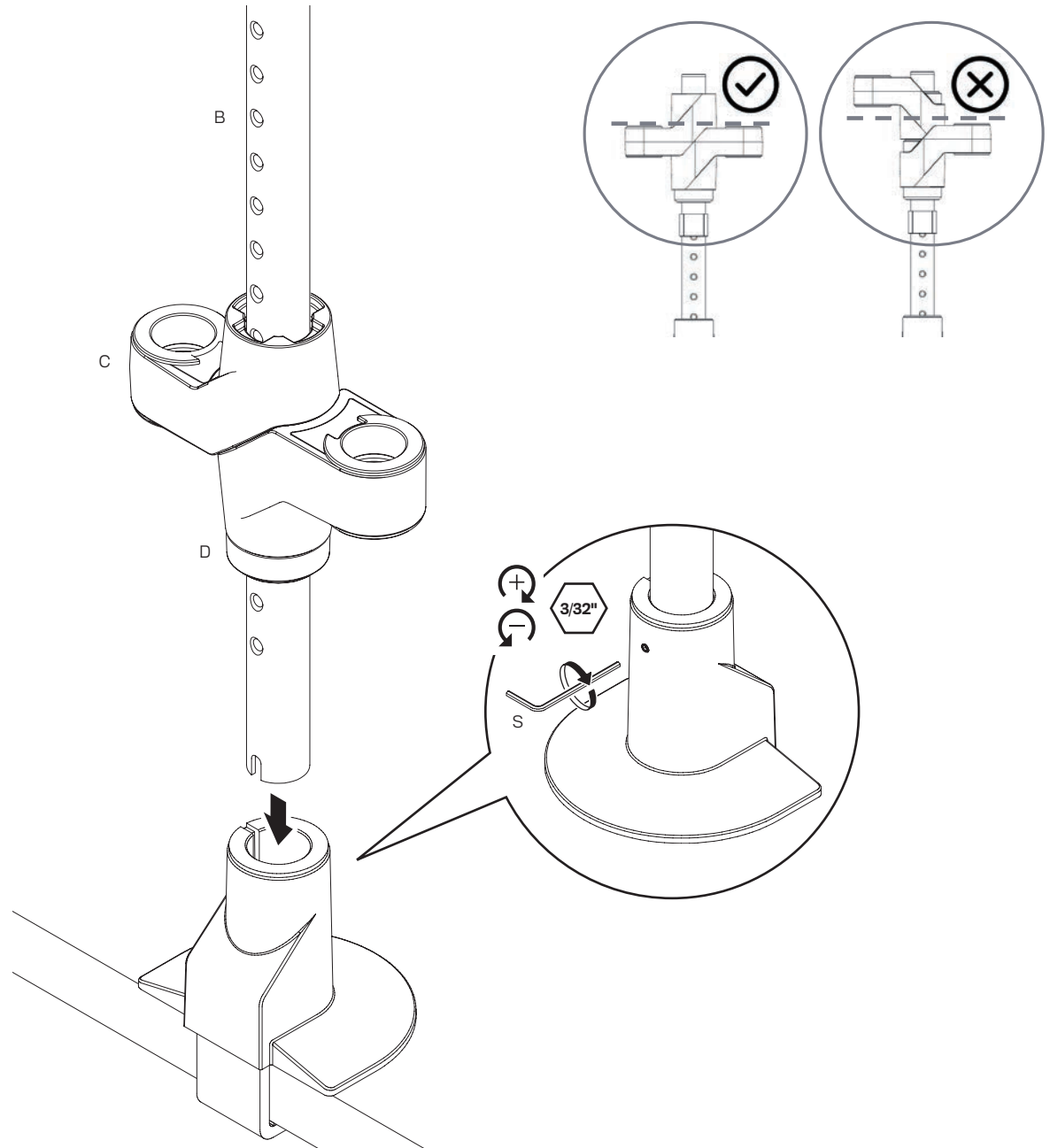
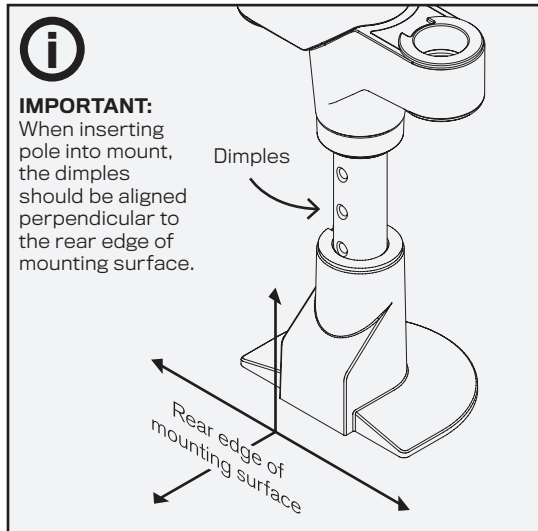
THRU-DESK CONFIGURATION*

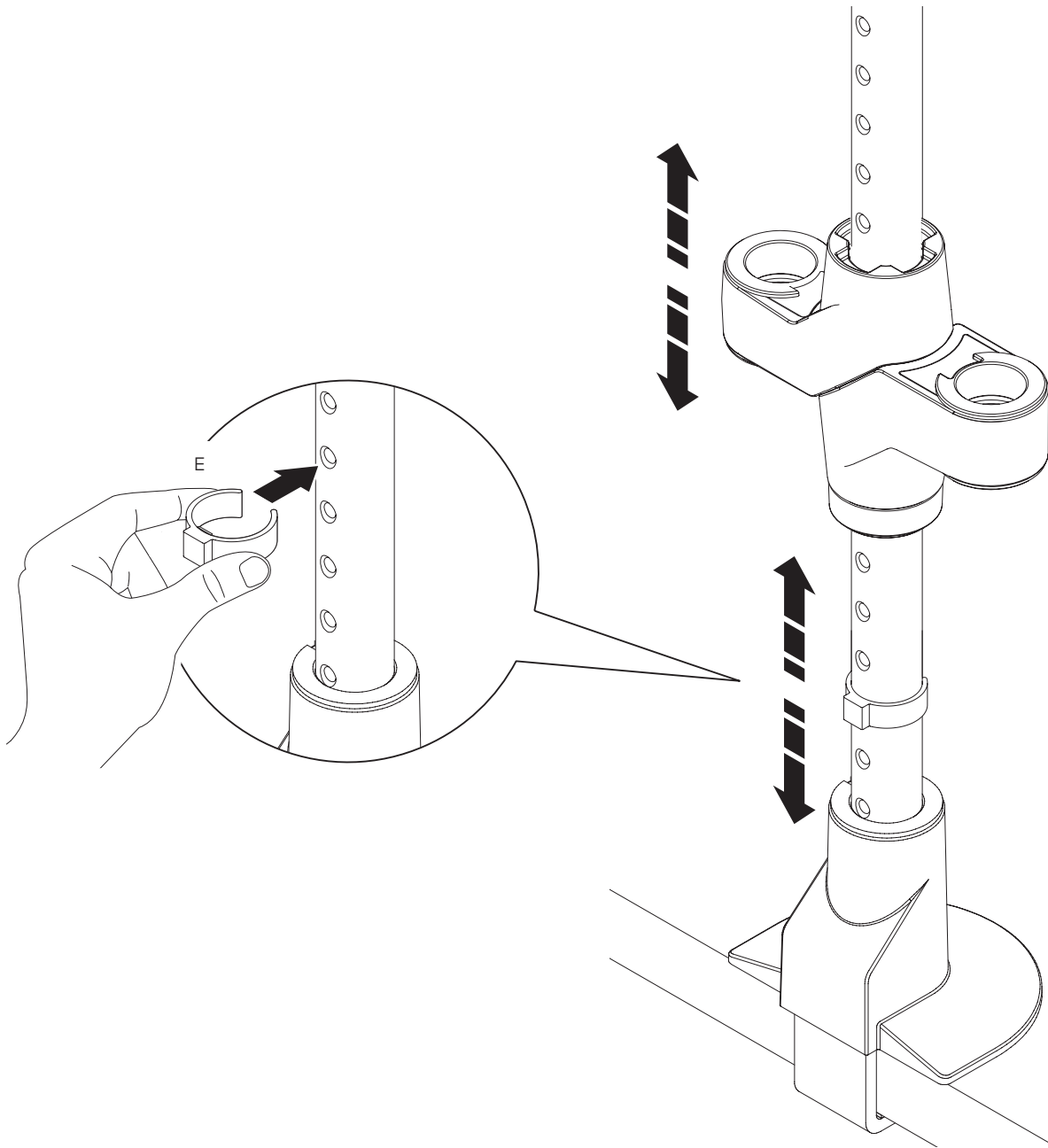
3

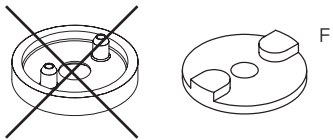


4

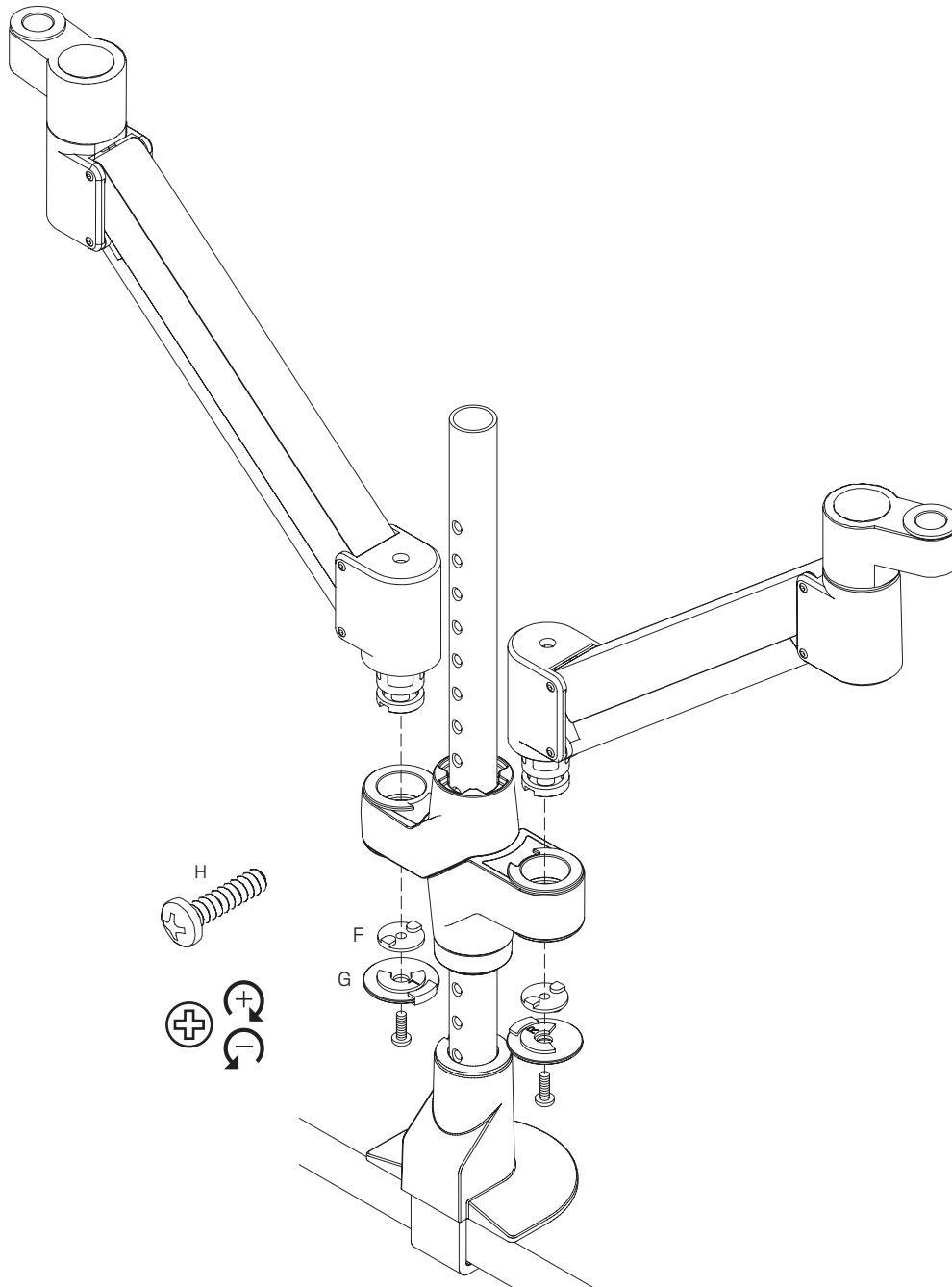
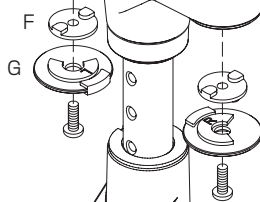
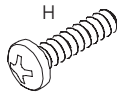
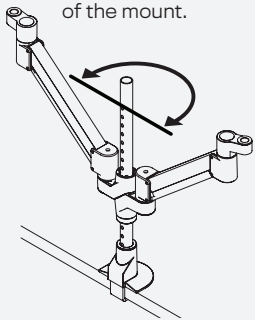




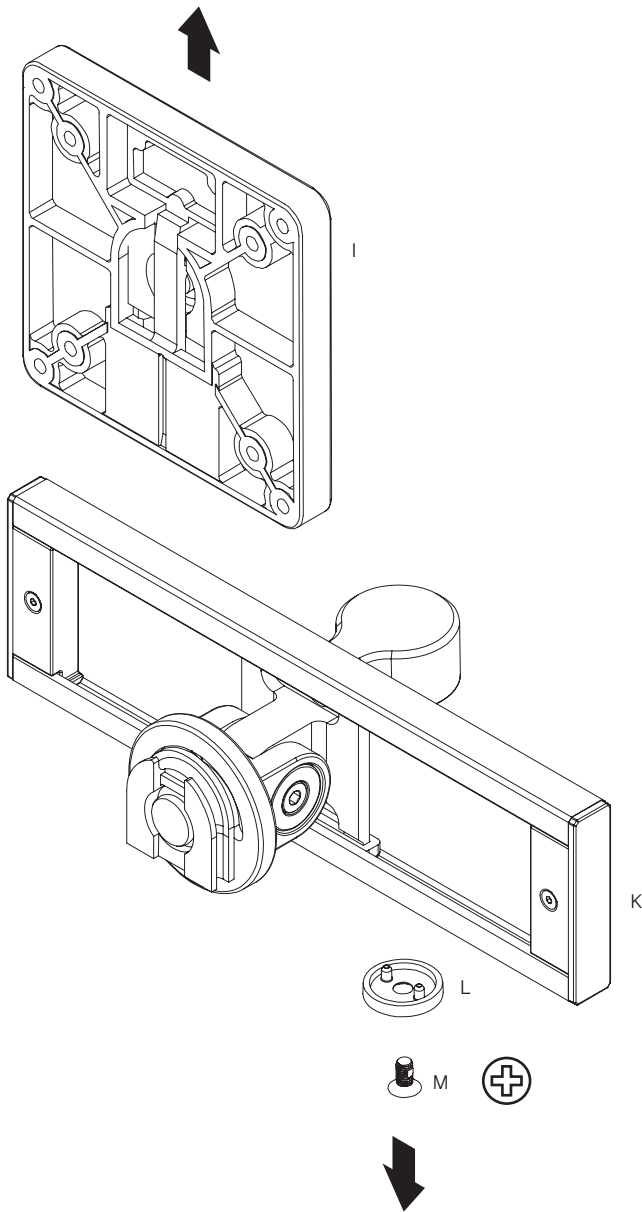


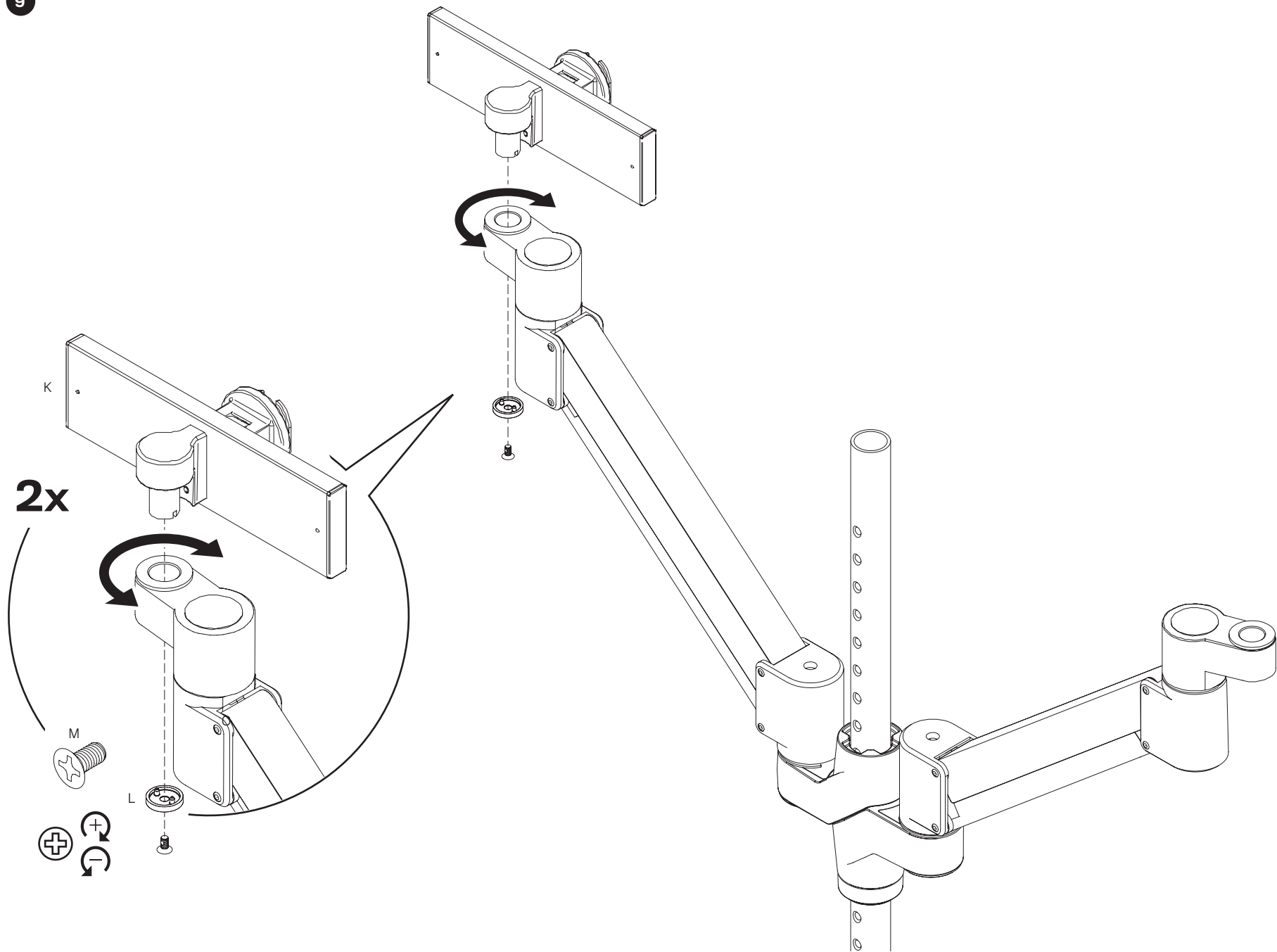


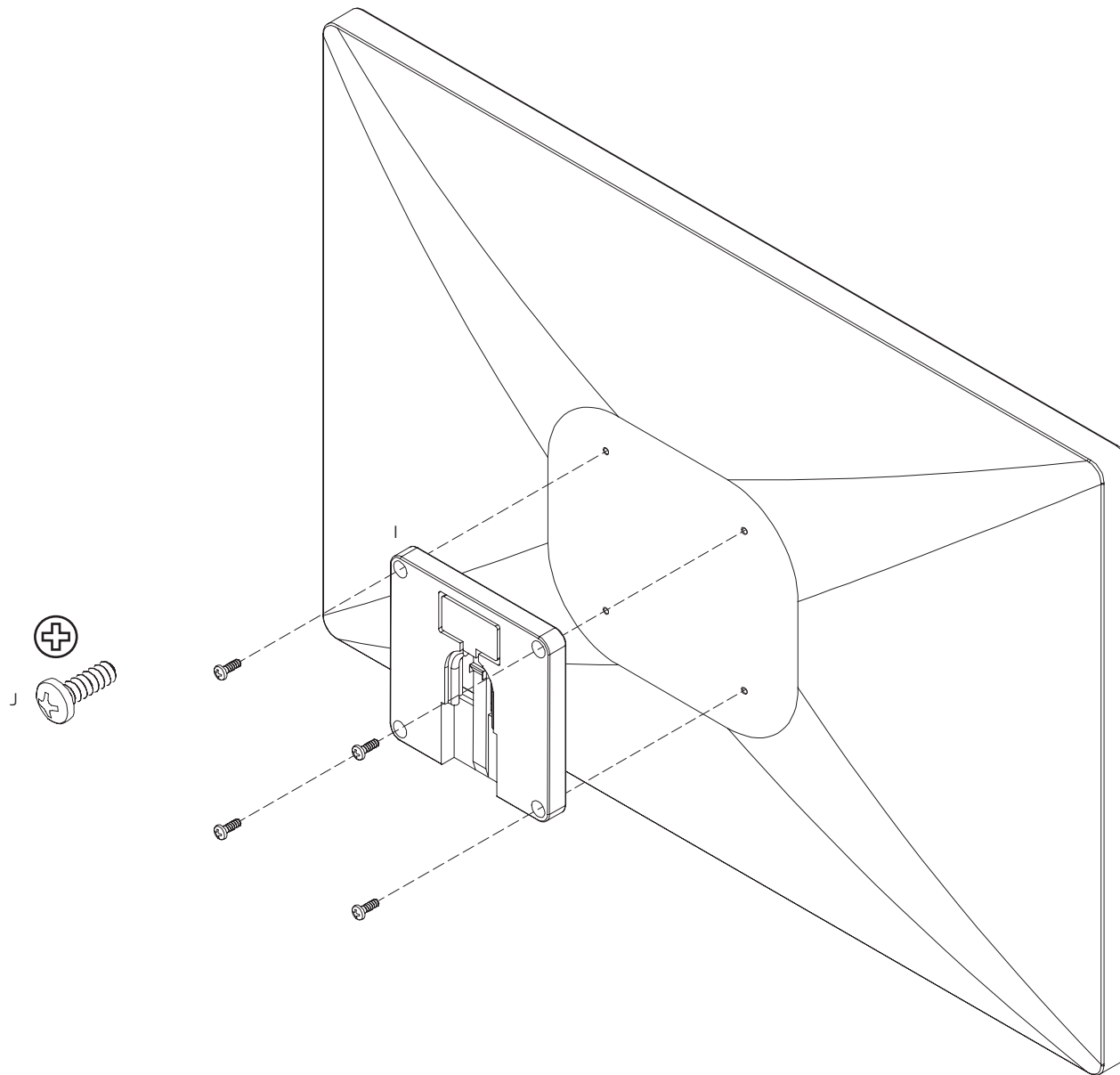
IMPORTANT:
Install part (G) in the orientation as shown to the left. When washer, part (G), is installed correctly, the arms will not rotate past the back of the mount.



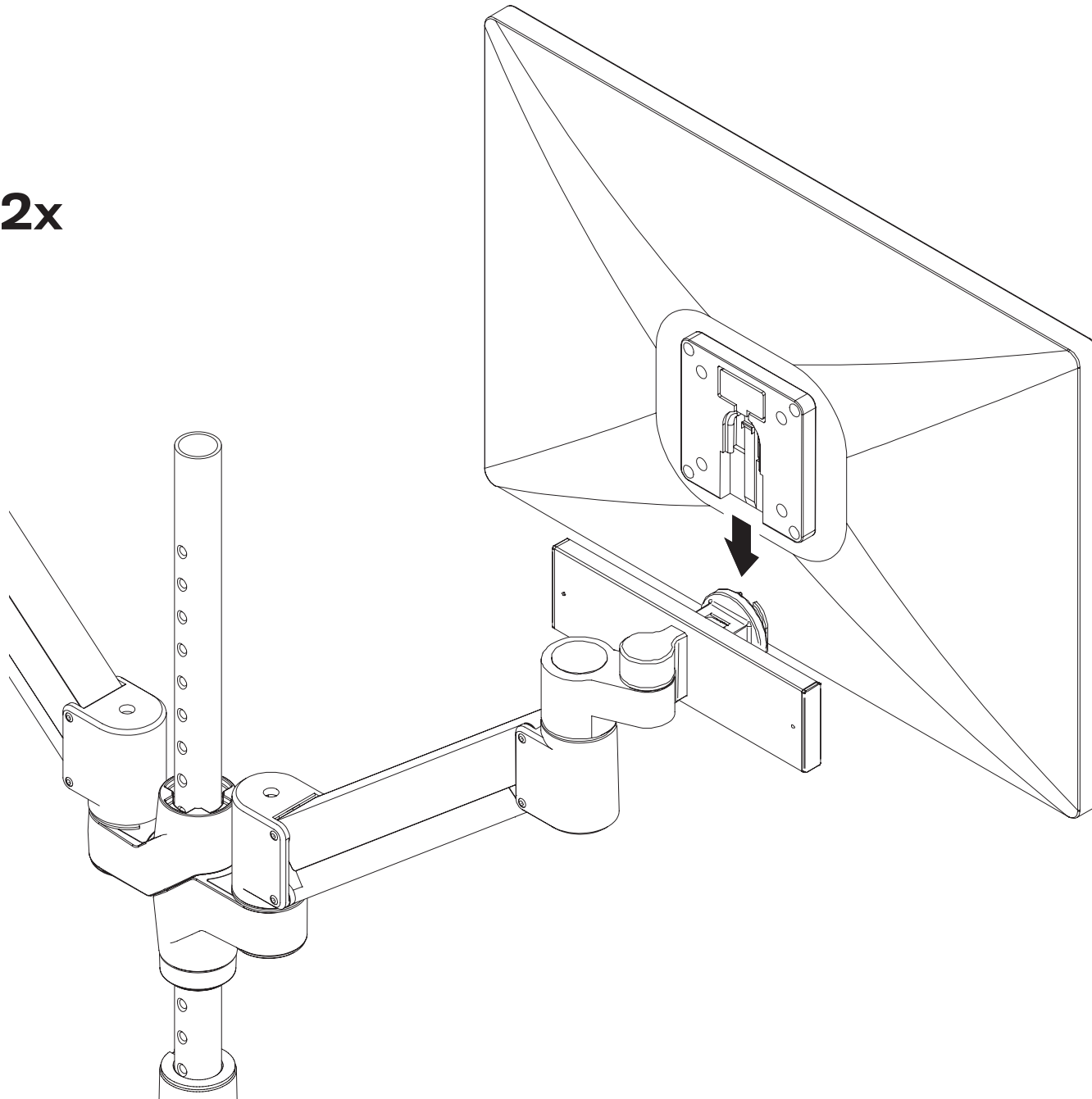
2x

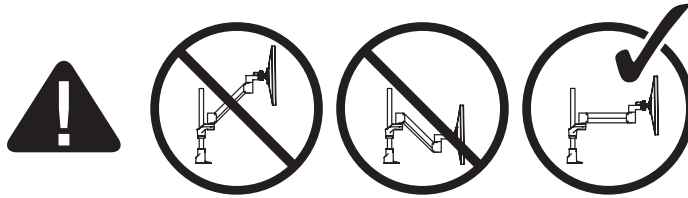




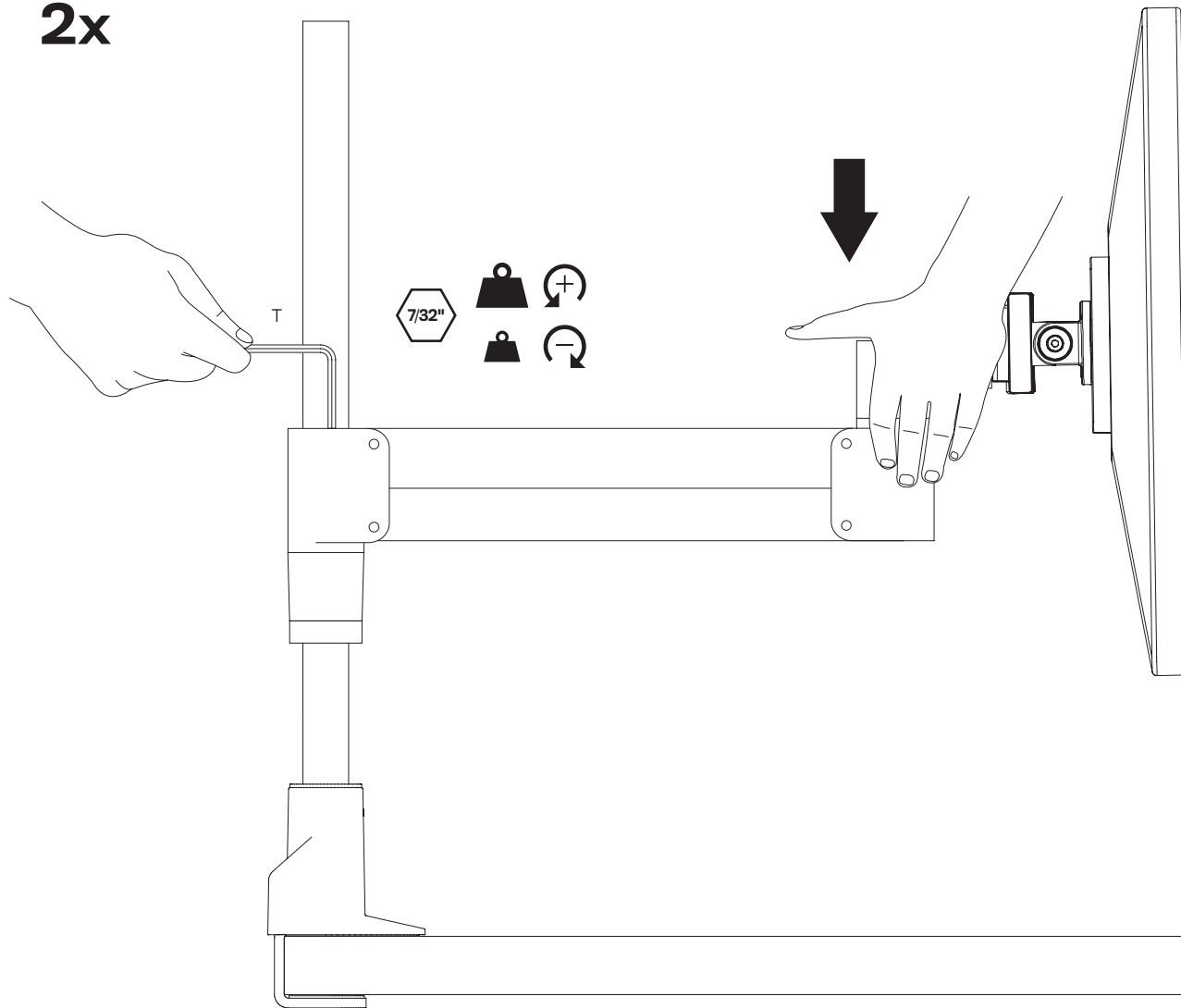


2x





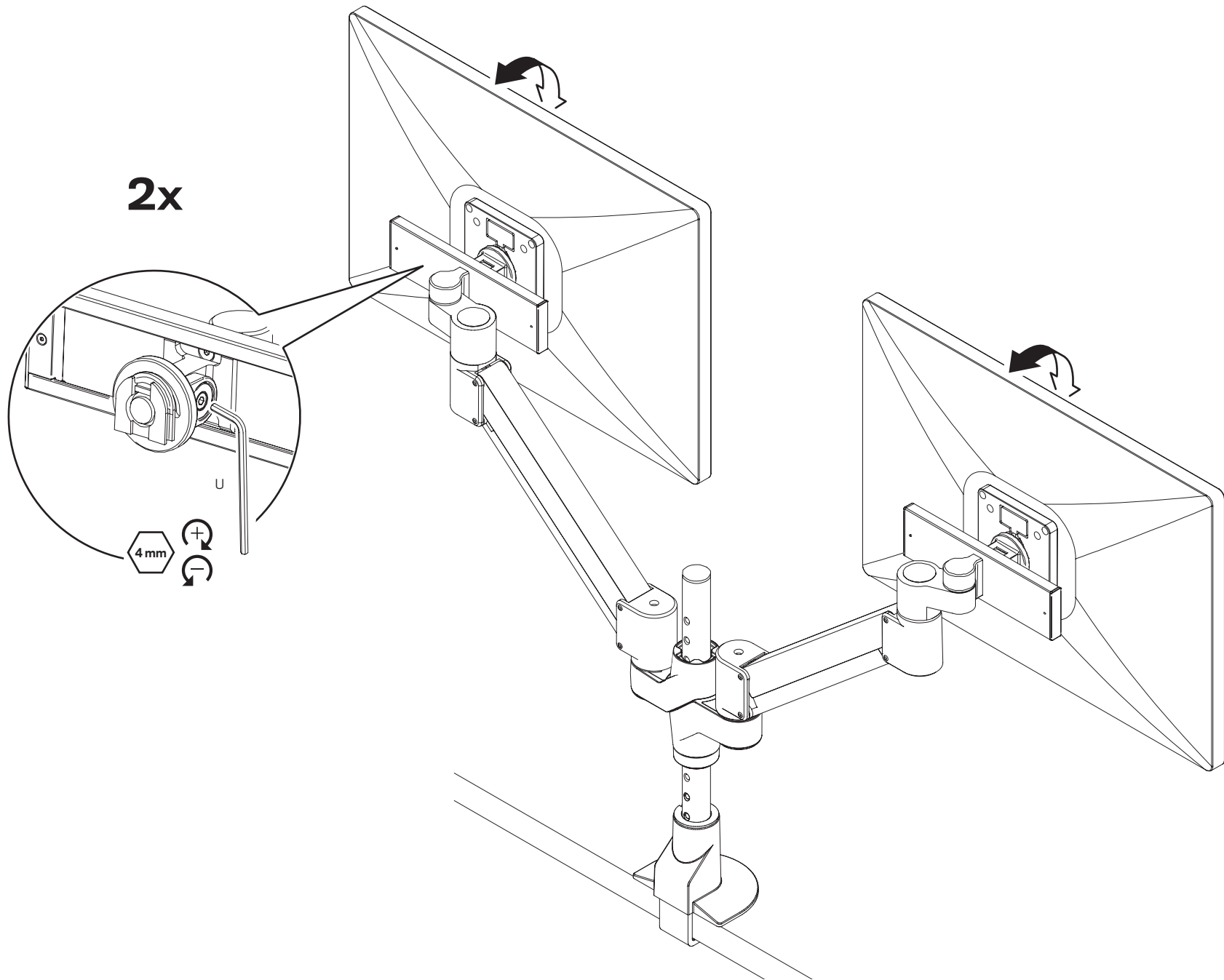
2x



i **Optional Adjustment**

In some instances, an additional counterbalance adjustment may be needed to allow the arm's instant height adjustment function to work properly.

If your arm is not staying in position after performing step 12, tighten the adjustment screw with a 1/8" Allen wrench.



2x

