



WINSTON LIFT™ SINGLE

Winston Lift™ is an arm-based sit-stand product that allows users to turn their desk into a healthier, more dynamic workstation. Featuring an adjustable keyboard platform, quick-release stability lever, and textured wood grain surface, Winston Lift™ is the perfect combination of sleek design and functionality.



FEATURES

- Quick-release lever will lock the arm in place to provide ultimate stability for standing work.
- Textured wood grain work surface offers a premium, modern aesthetic.
- Mount securely clamps to desk edge.
- Easily rotate monitors for portrait or landscape viewing.
- VESA-monitor compatible – 75mm & 100mm VESA adapter included.
- Max screen size: 30"

AVAILABLE MODELS

WNST-LIFT-1 Supports up to 25 lbs (11.3 kg)

FINISHES

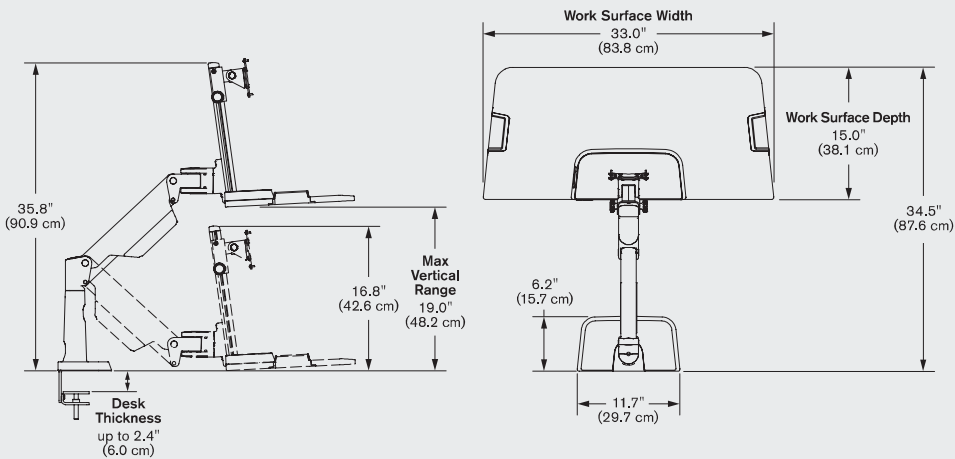
FLAT WHITE | color code: **248**

SILVER | color code: **124**

VISTA BLACK | color code: **104**



CAPABILITIES



MOUNT CONFIGURATIONS





WINSTON LIFT™ DUAL

Winston Lift™ is an arm-based sit-stand product that allows users to turn their desk into a healthier, more dynamic workstation. Featuring an adjustable keyboard platform, quick-release stability lever, and textured wood grain surface, Winston Lift™ is the perfect combination of sleek design and functionality.



FEATURES

- Quick-release lever will lock the arm in place to provide ultimate stability for standing work.
- Textured wood grain work surface offers a premium, modern aesthetic.
- Mount securely clamps to desk edge.
- Easily rotate monitors for portrait or landscape viewing.
- VESA-monitor compatible – 75mm & 100mm VESA adapters included.
- Max screen size: 30"

AVAILABLE MODELS

WNST-LIFT-2 Supports up to 25 lbs (11.3 kg)

FINISHES

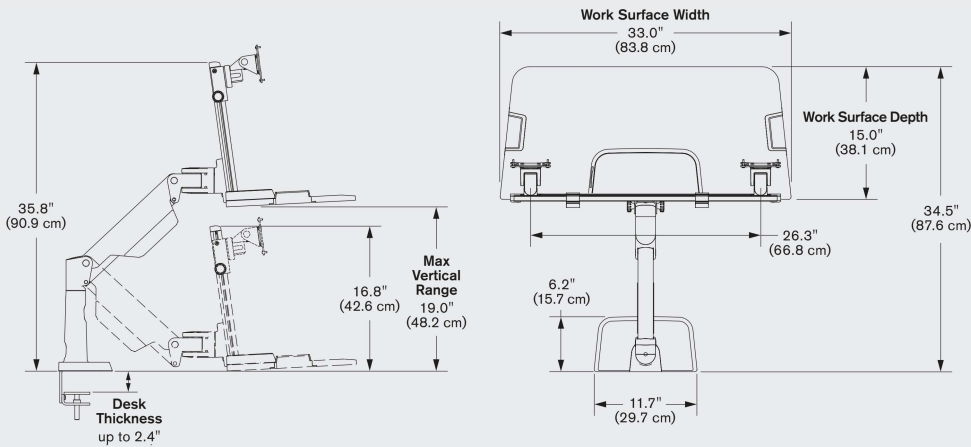
FLAT WHITE | color code: **248**

SILVER | color code: **124**

VISTA BLACK | color code: **104**



CAPABILITIES



MOUNT CONFIGURATIONS

