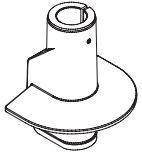


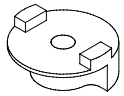
PARTS LIST

Note: Parts may be shipped in separate boxes, please review all packaging prior to discarding.

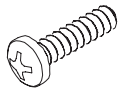
A Top Down Mount 1x
8524



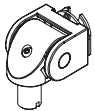
B 180 Degree Rotation Stop 1x
108208-180



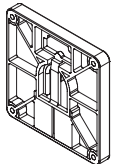
C M6 x 1 x 18mm Phillips Pan Head Screw 1x
105304



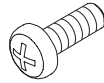
D Monitor Tilter 1x
8500 Tilter



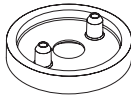
E Quick Connect VESA Plate 1x
114808



F M4 x 12mm Phillips Pan Head Screw (4-pack) 1x
702096



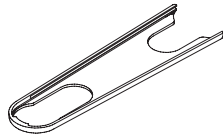
G Dog Washer 1x
105189



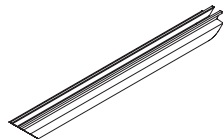
H 10-32 x 3/8" FPhMS w/Lock Patch 1x
705198



I Forearm Cable Cap 1x
115584



J Cable Cap 1x
114810



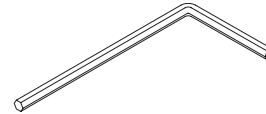
K 1/8" Allen Wrench 1x
701312



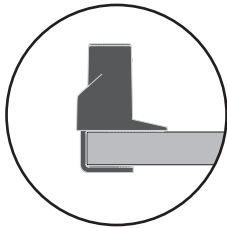
L 3/32" Allen Wrench 1x
700146



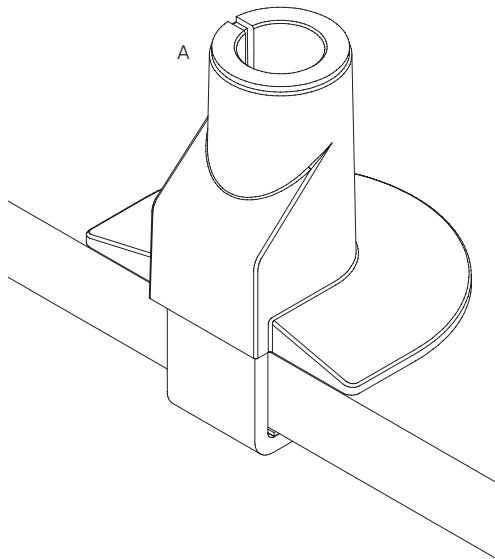
M 7/32" Allen Wrench 1x
701127



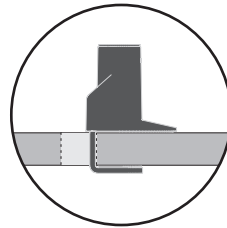
1



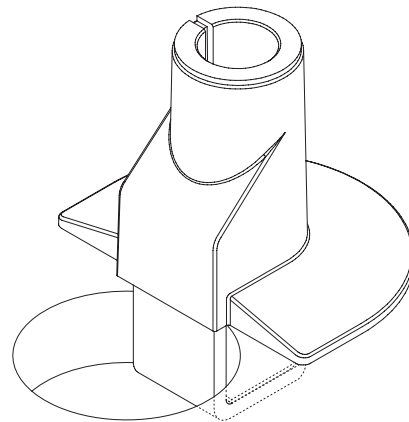
Desk thickness
up to 1.5" (3.8 cm)



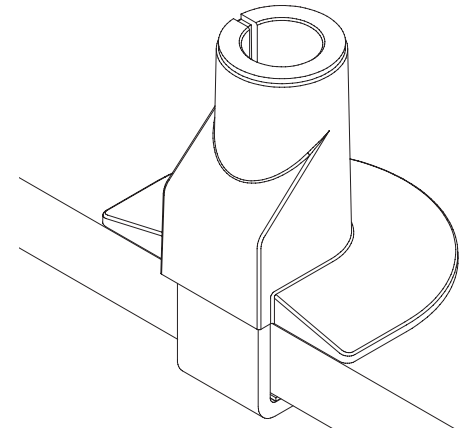
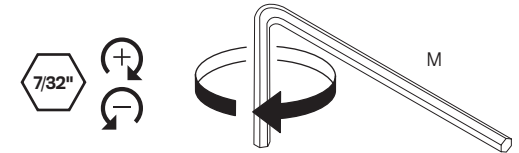
OR



Desk thickness
up to 1.5" (3.8 cm)

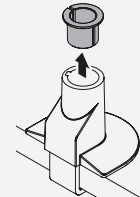


2

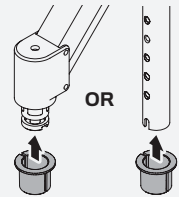


If the monitor arm or pole does not easily fit into the mount, remove the bushing from the mount and place it on the monitor arm or pole and press firmly back into the mount.

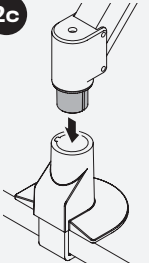
2a

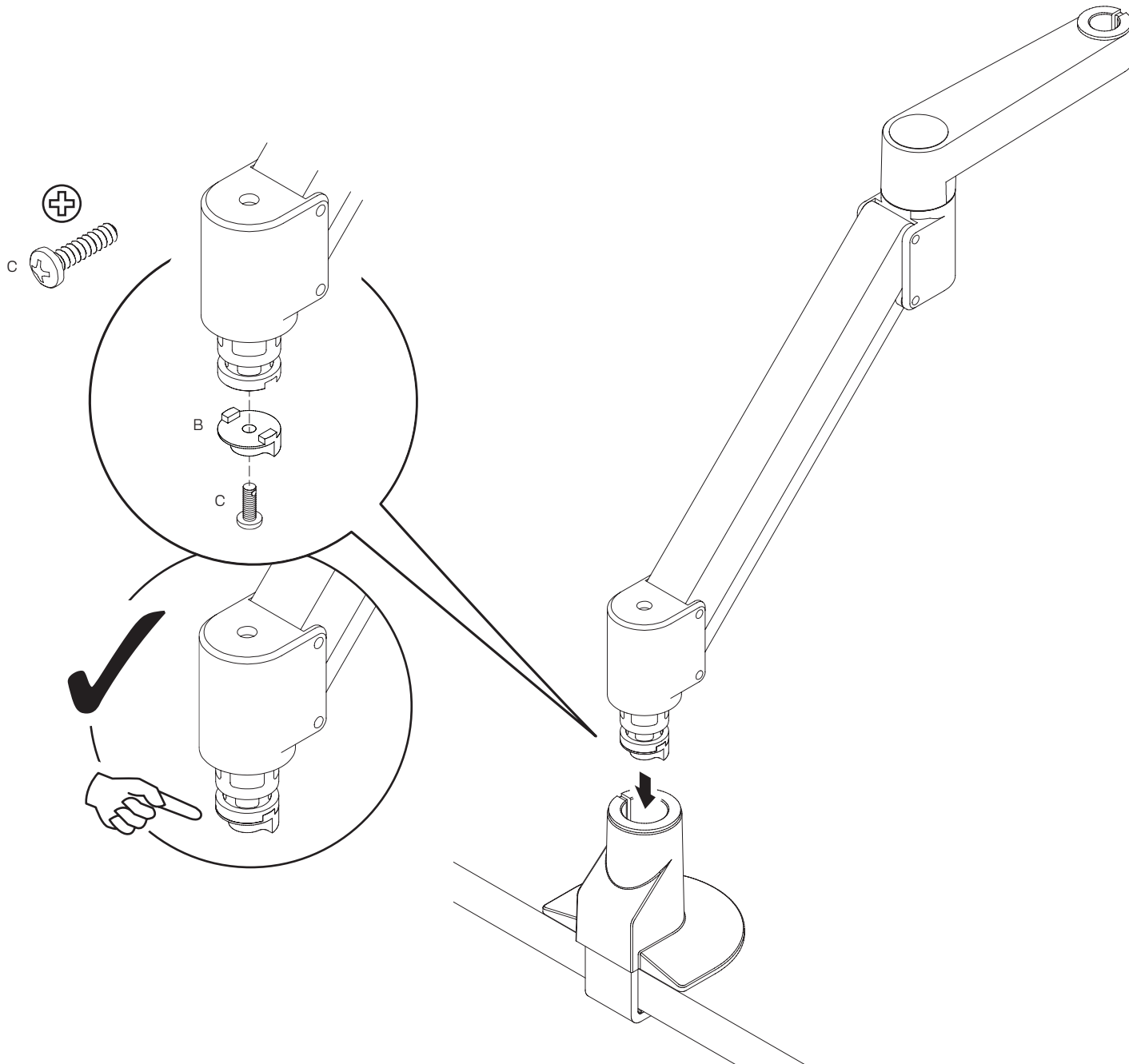


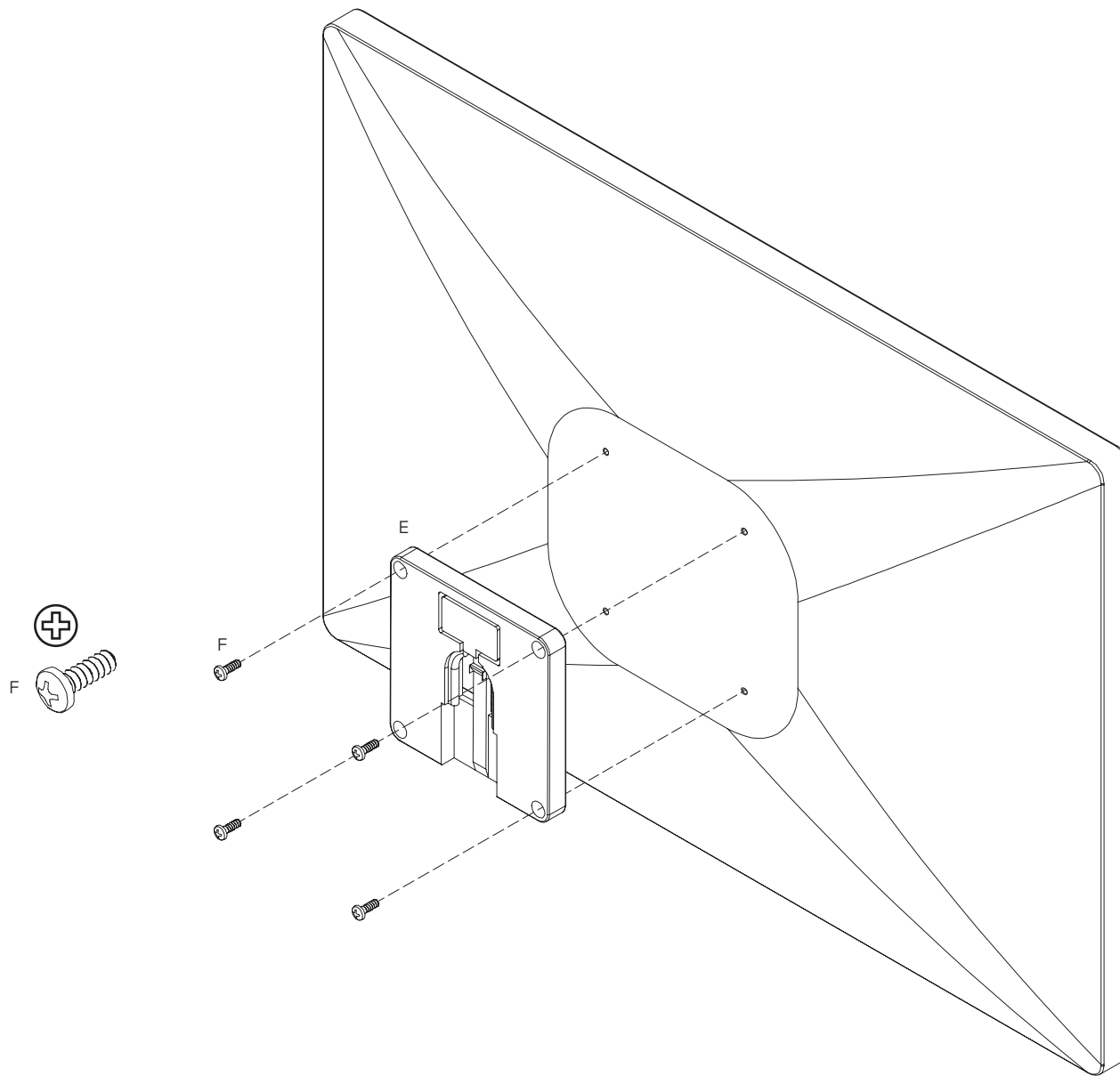
2b

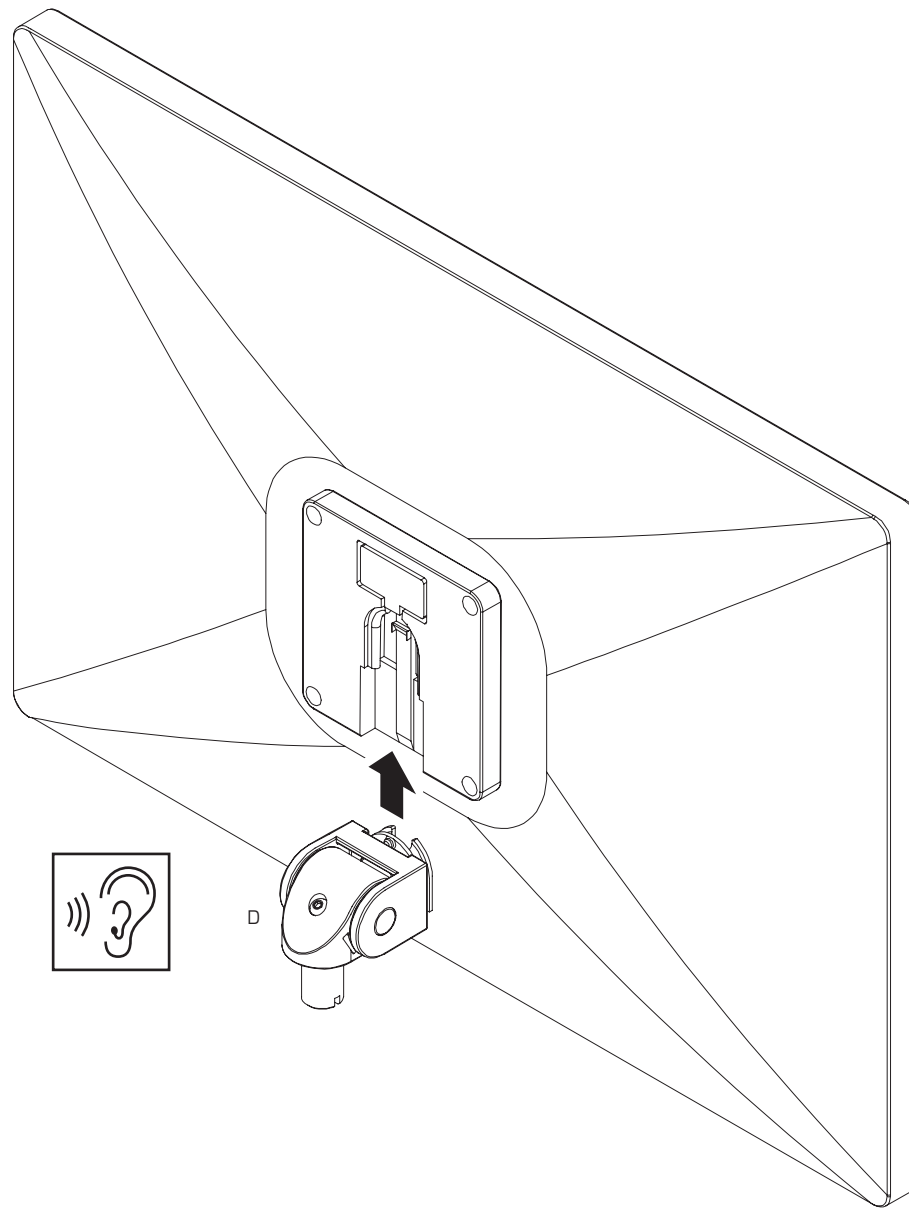


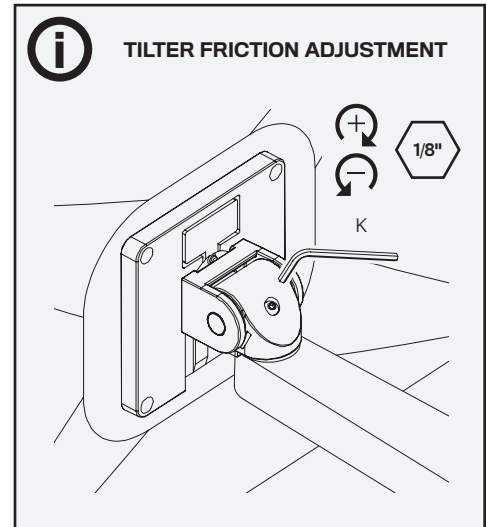
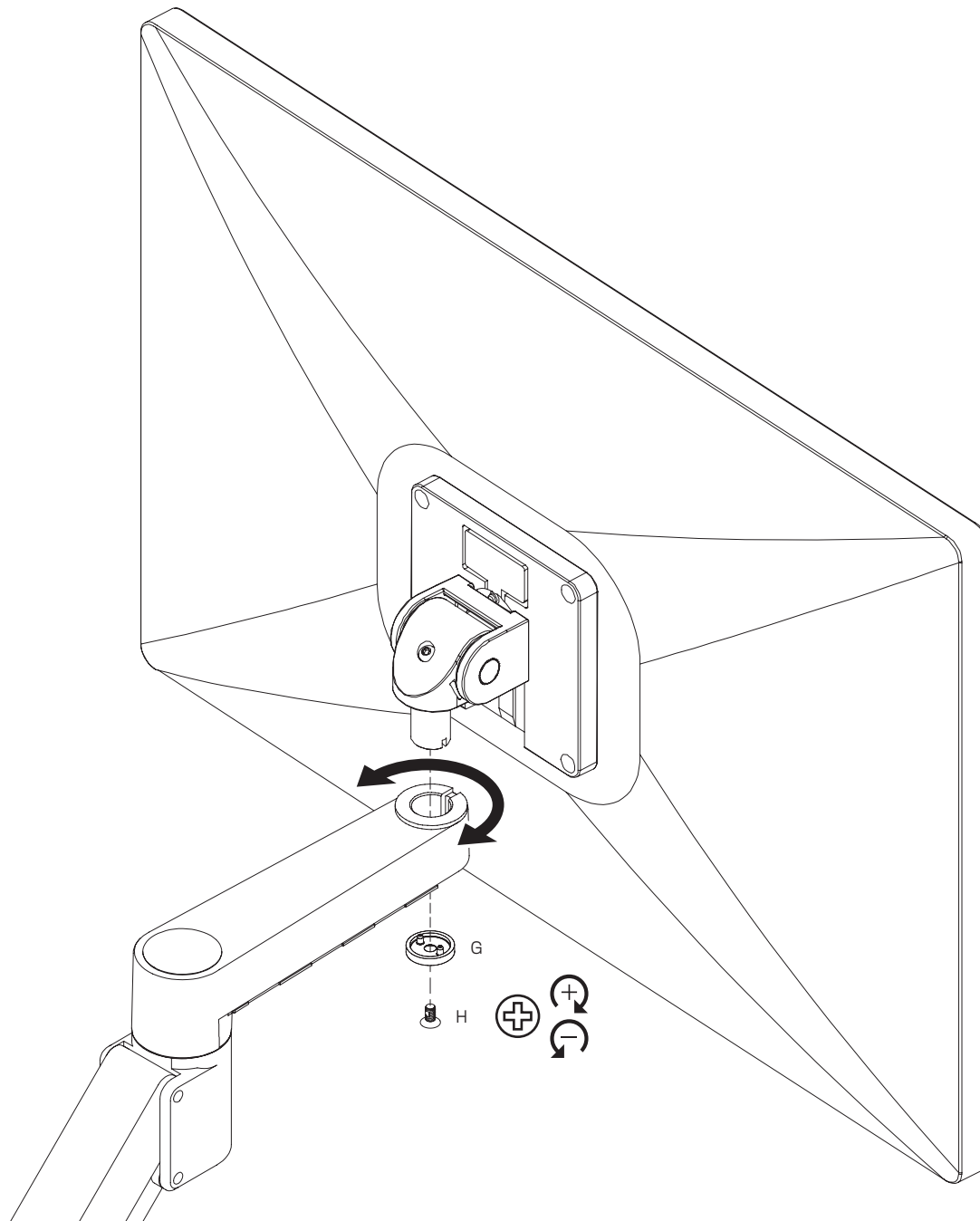
2c







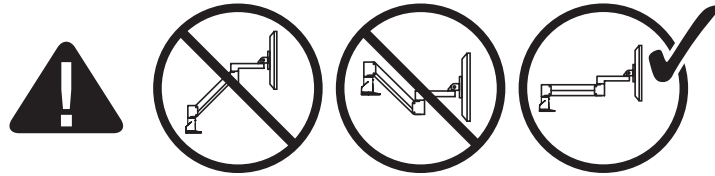




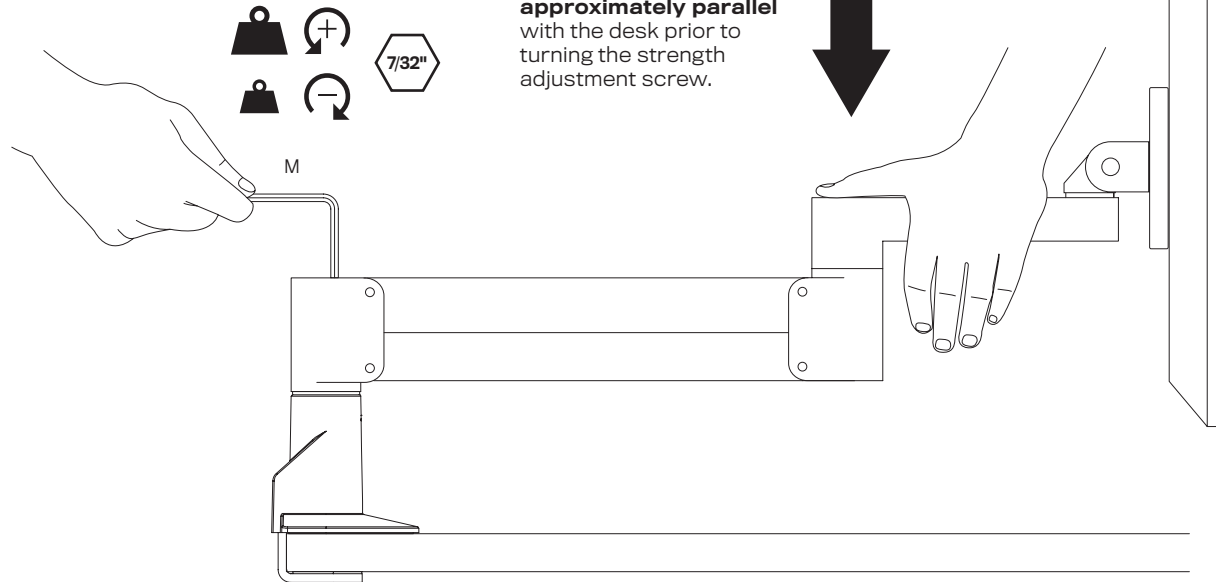
7

IMPORTANT!

- Monitor must be on arm
- Arm must be in mount



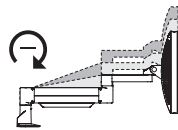
Press the arm down to approximately parallel with the desk prior to turning the strength adjustment screw.



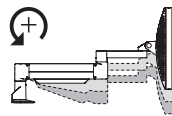
i Optional Adjustment

In some instances, an additional counterbalance adjustment may be needed to allow the arm's instant height adjustment function to work properly.

If your arm is not staying in position after performing step 7, tighten the adjustment screw as shown.

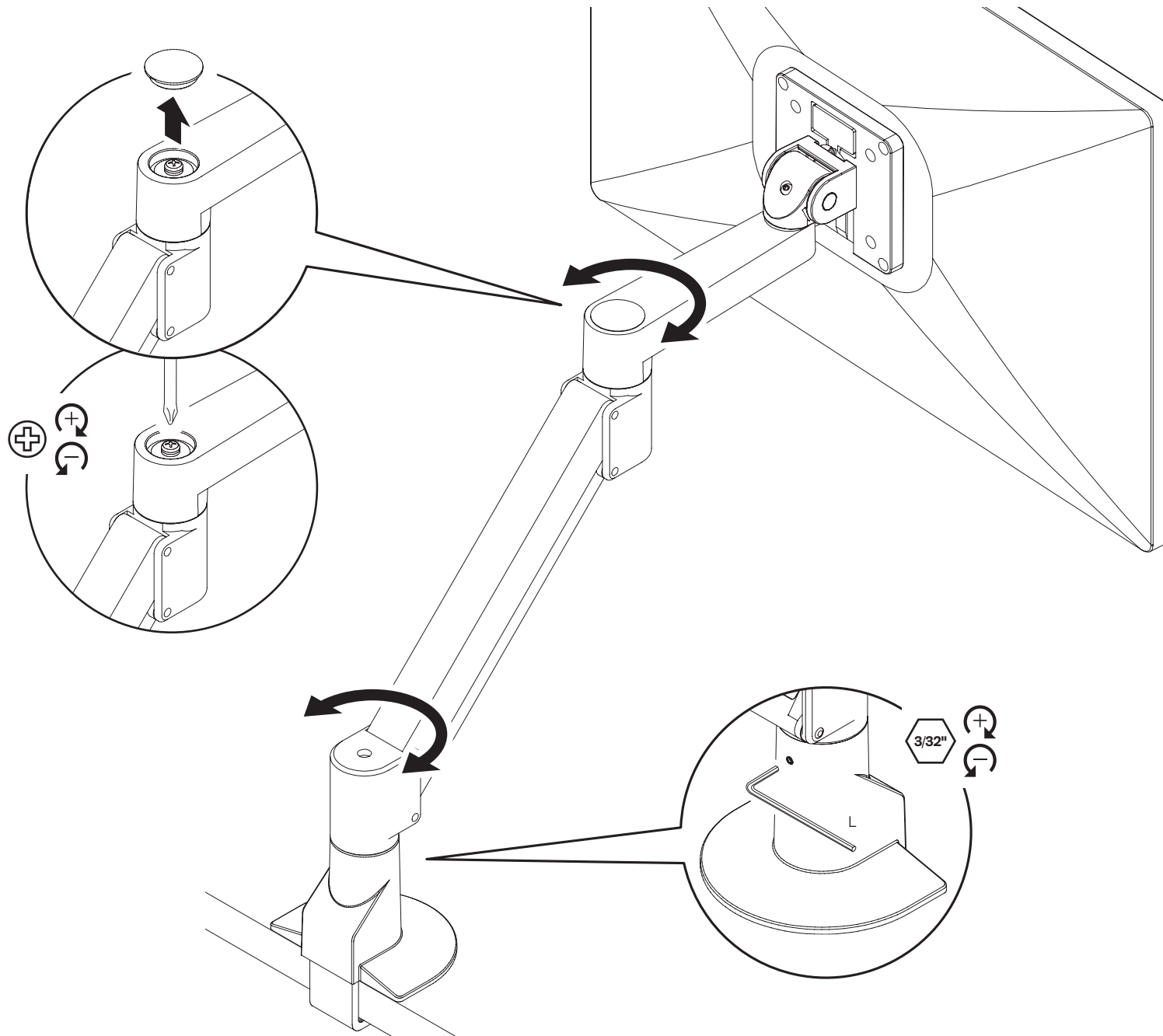


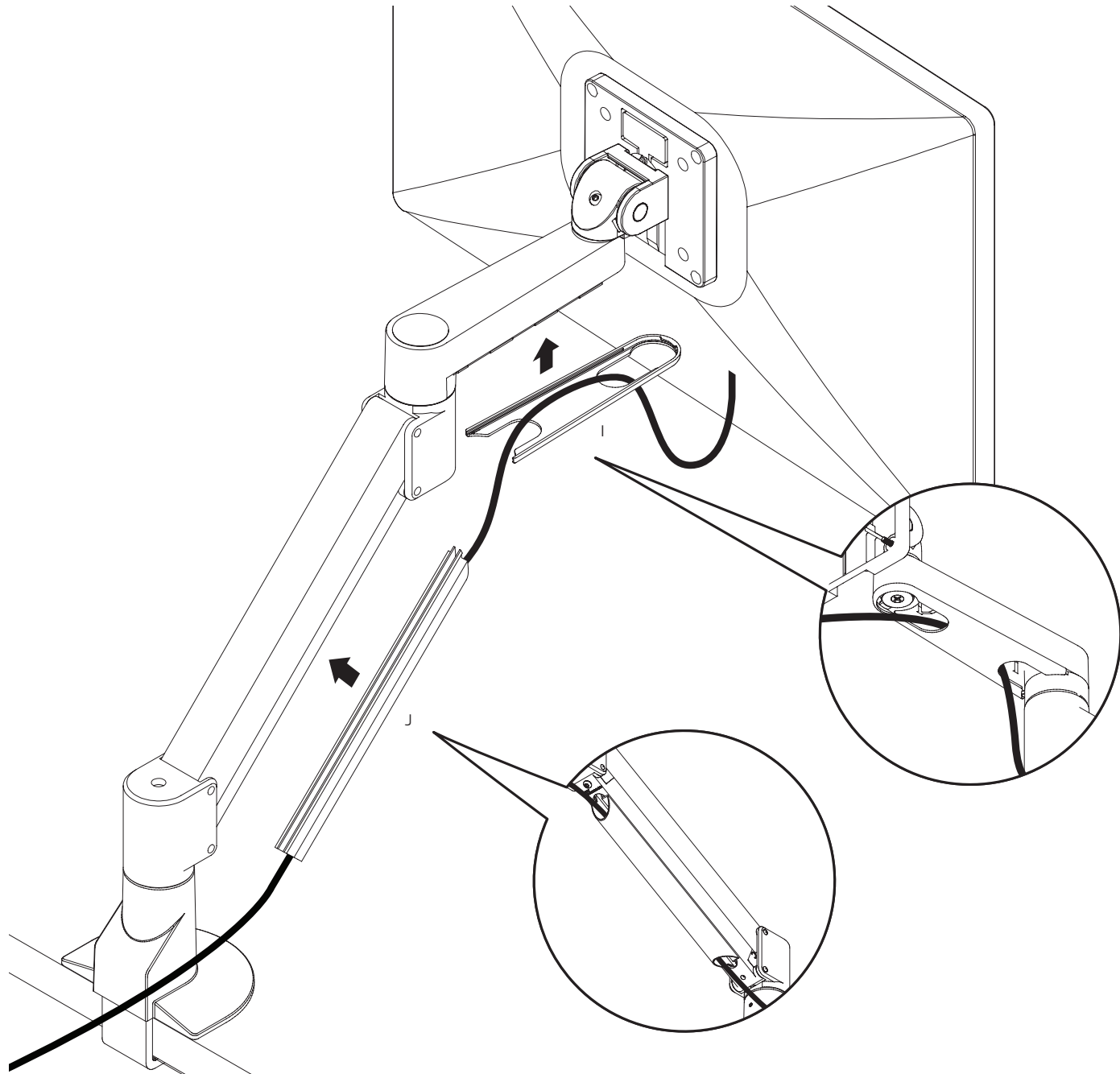
If the arm **drifts upward**, turn the adjustment screw counter-clockwise.

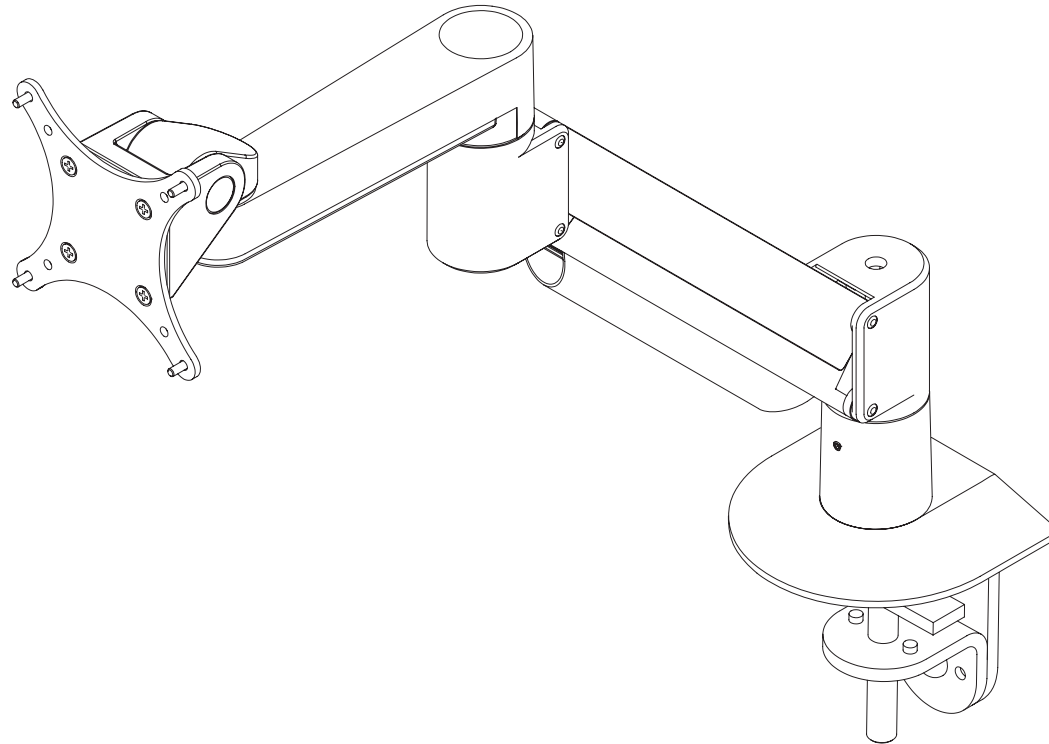


If the arm **drifts downward**, turn the adjustment screw clockwise.


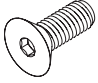
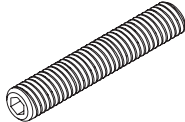
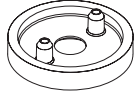

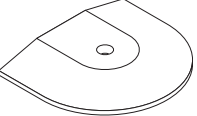

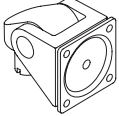

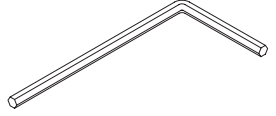
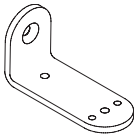

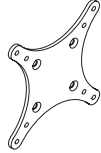
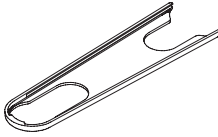
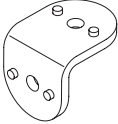
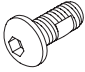

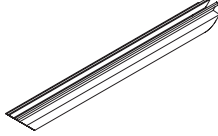
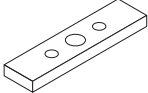
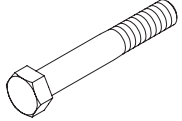
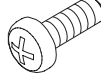

Depending on the weight of your monitor, **you may have to make 15-20 turns.**



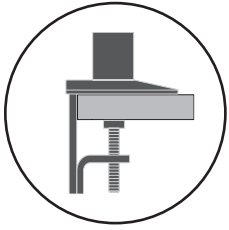




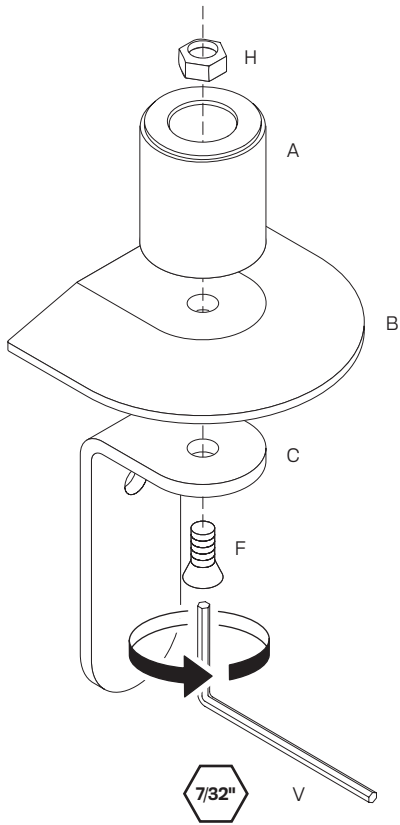
PARTS LIST

<p>A Mount Column 1x 401328</p> 	<p>F 3/8-16 x 1" Flat Socket Cap Screw 1x 701124</p> 	<p>K 1/2-13 x 3" Socket Set Screw 1x 701126</p> 	<p>P Dog Washer 1x 105189</p> 	<p>U 3/32" Allen Wrench 1x 700146</p> 
<p>B Base Plate 1x 406656</p> 	<p>G 3/8-16 x 1/2" BHSCS 1x 702898</p> 	<p>L Monitor Tilter 1x 405397</p> 	<p>Q 10-32 x 3/8" FPhMS w/Lock Patch 1x 705198</p> 	<p>V 7/32" Allen Wrench 1x 701127</p> 
<p>C Large "L" Bracket 1x 701117</p> 	<p>H 3/8-16 Nylon Stop Nut 1x 701418</p> 	<p>M 75/100mm VESA Adapter Plate 1x 105587</p> 	<p>R Forearm Cable Cap 1x 115584</p> 	
<p>D Small "L" Bracket 1x 111728</p> 	<p>I 3/8-16 x 7/8" Button Socket Cap Screw 1x 701122</p> 	<p>N 10-32 x 3/8" Phillips Flat Head Screw (4-pack) 1x 702281</p> 	<p>S Cable Cap 1x 114810</p> 	
<p>E Rectangular Spacer 1x 701544</p> 	<p>J 3/8-16 x 2-1/2" Hex Head Bolt 1x 700268</p> 	<p>O M4 x 12mm Phillips Pan Head Screw (4-pack) 1x 702096</p> 	<p>T 1/8" Allen Wrench 1x 701312</p> 	

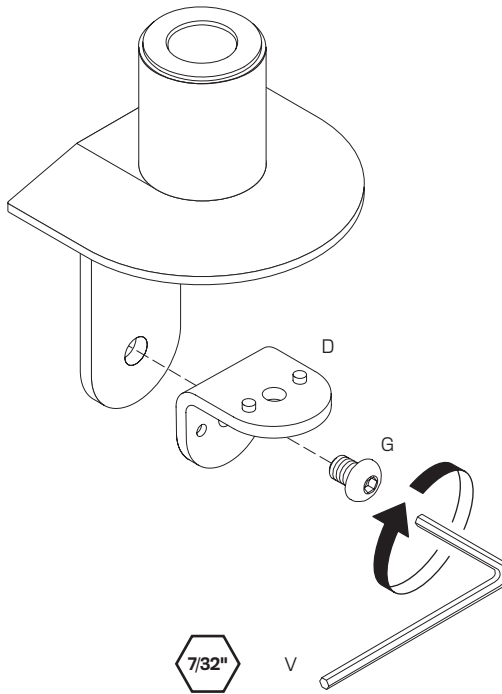
DESK CLAMP



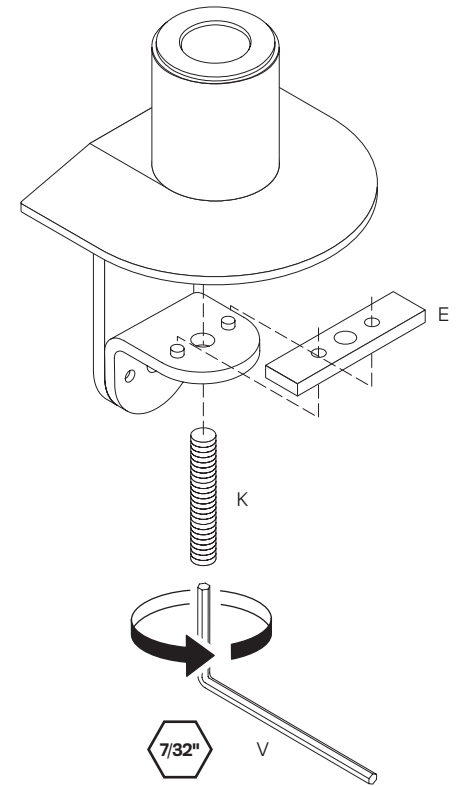
1a

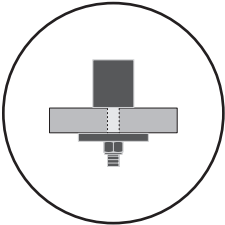


1b



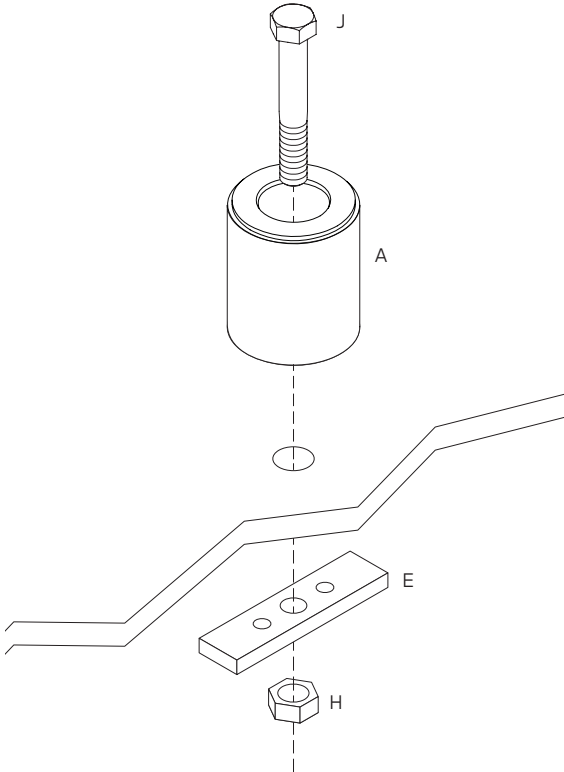
1c





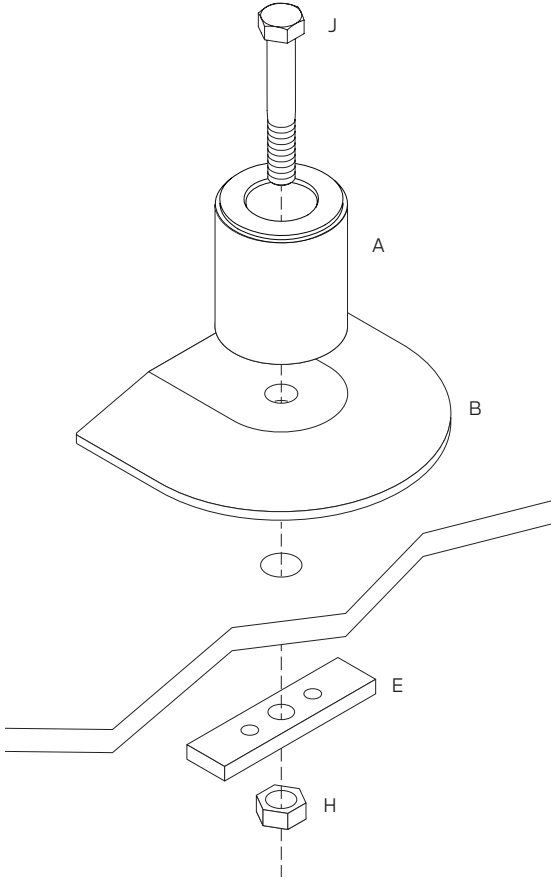
2a

8111-CUP

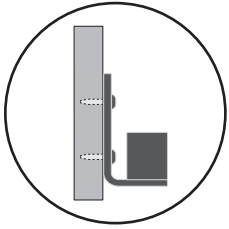


2b

8111-THRU

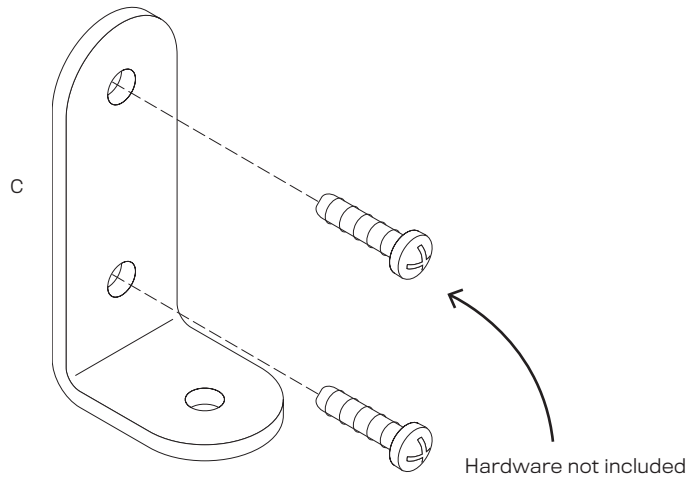


WALL MOUNT

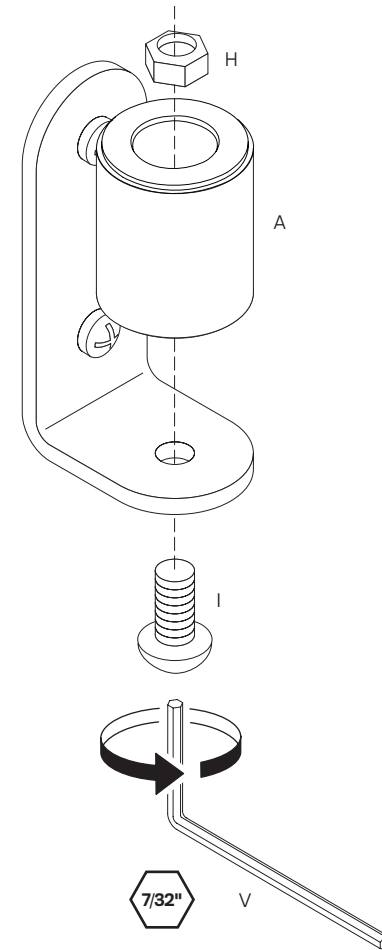


8111-WALL

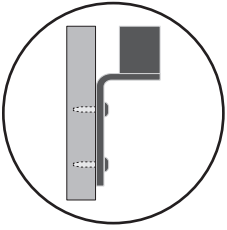
3a



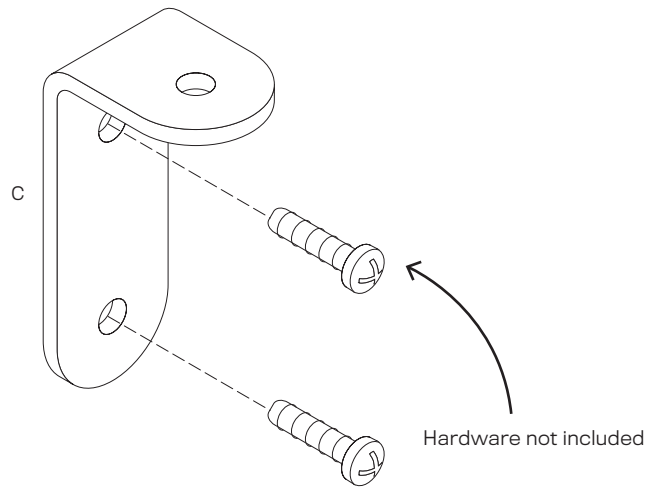
3b



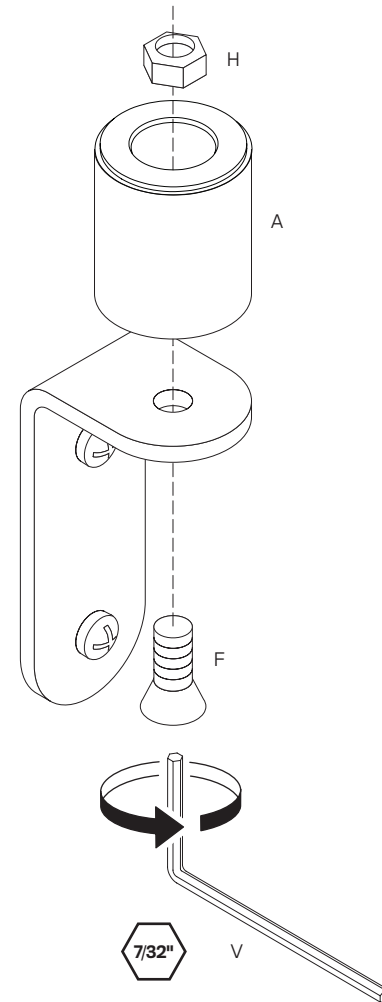
REVERSE WALL MOUNT



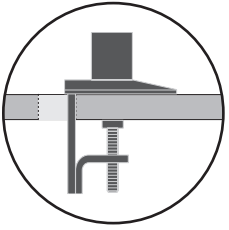
4a



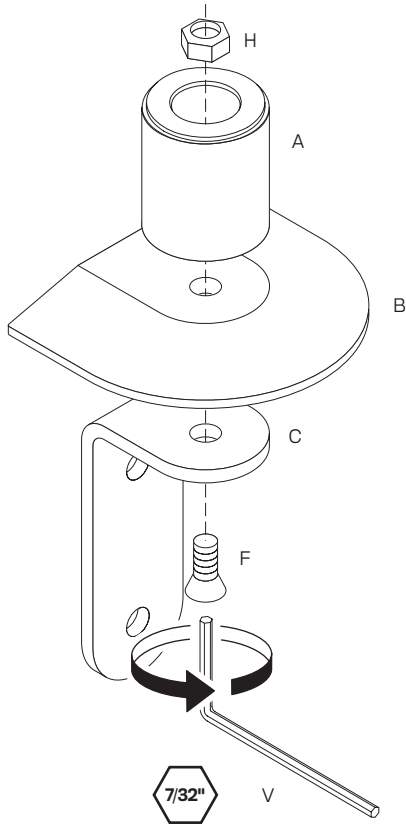
4b



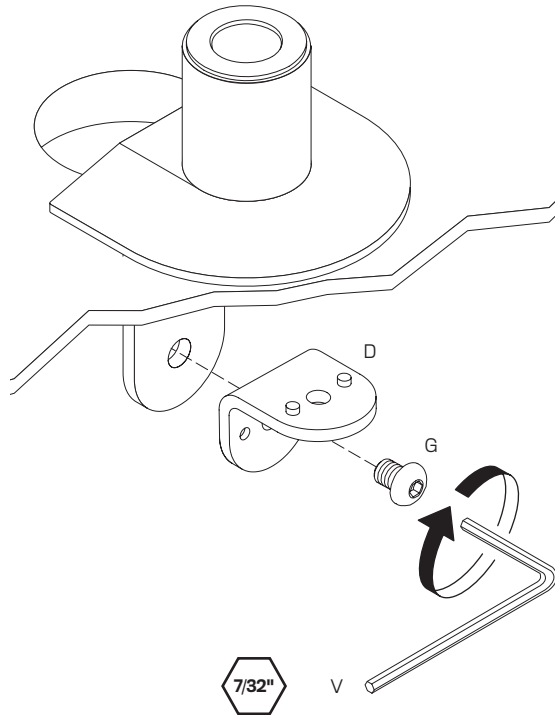
GROMMET



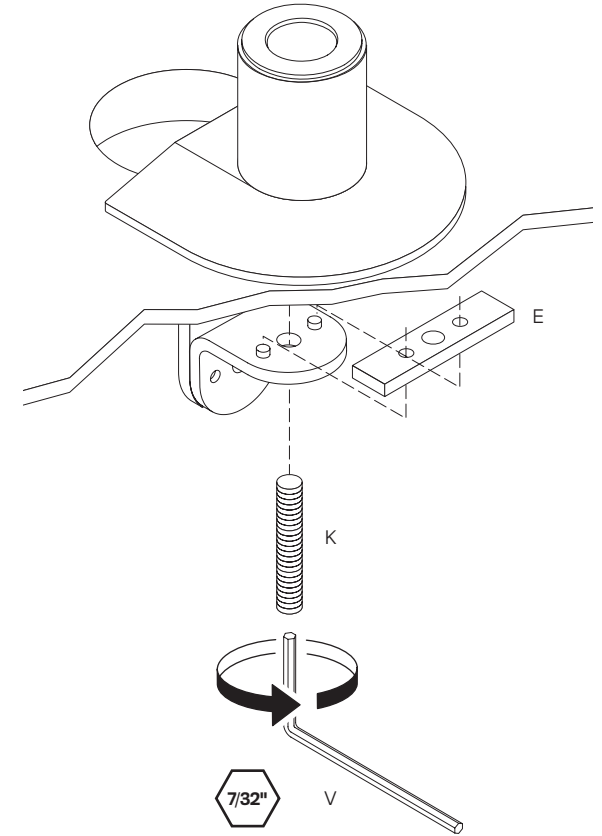
5a



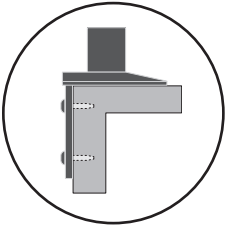
5b



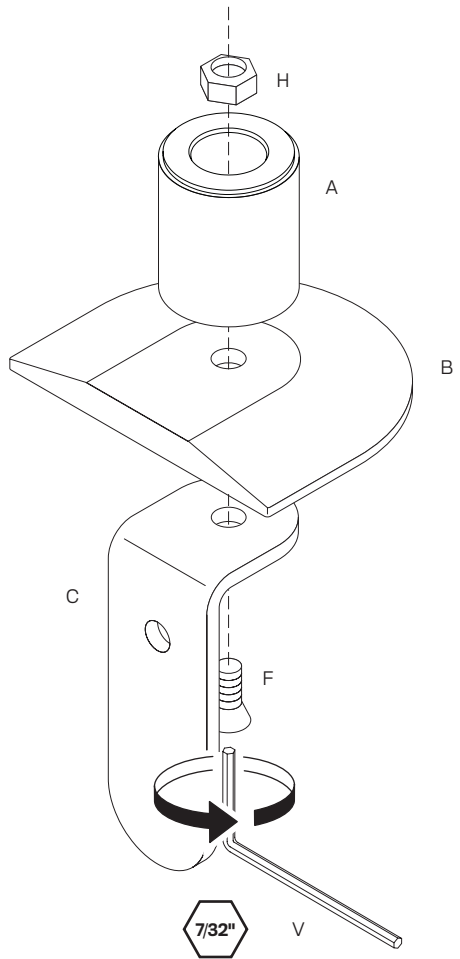
5c



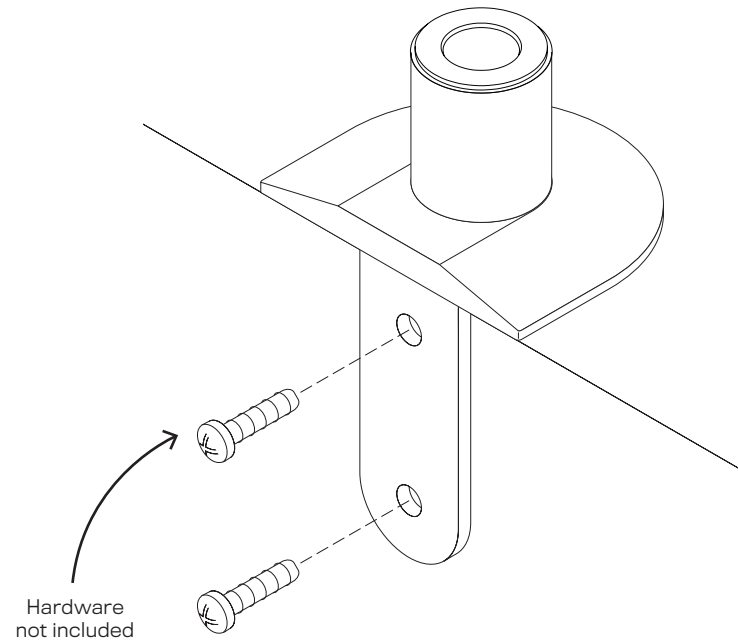
SIDE BOLT

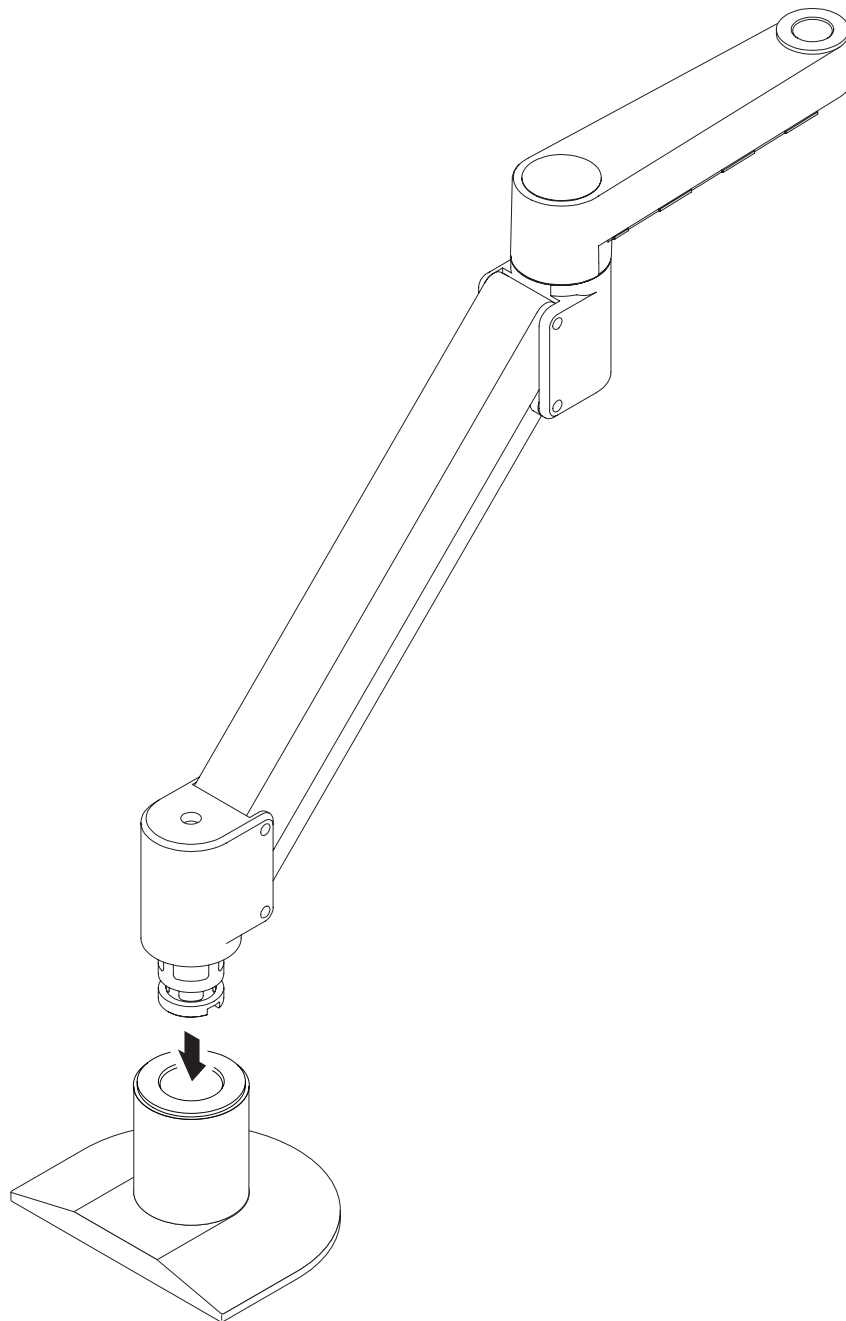


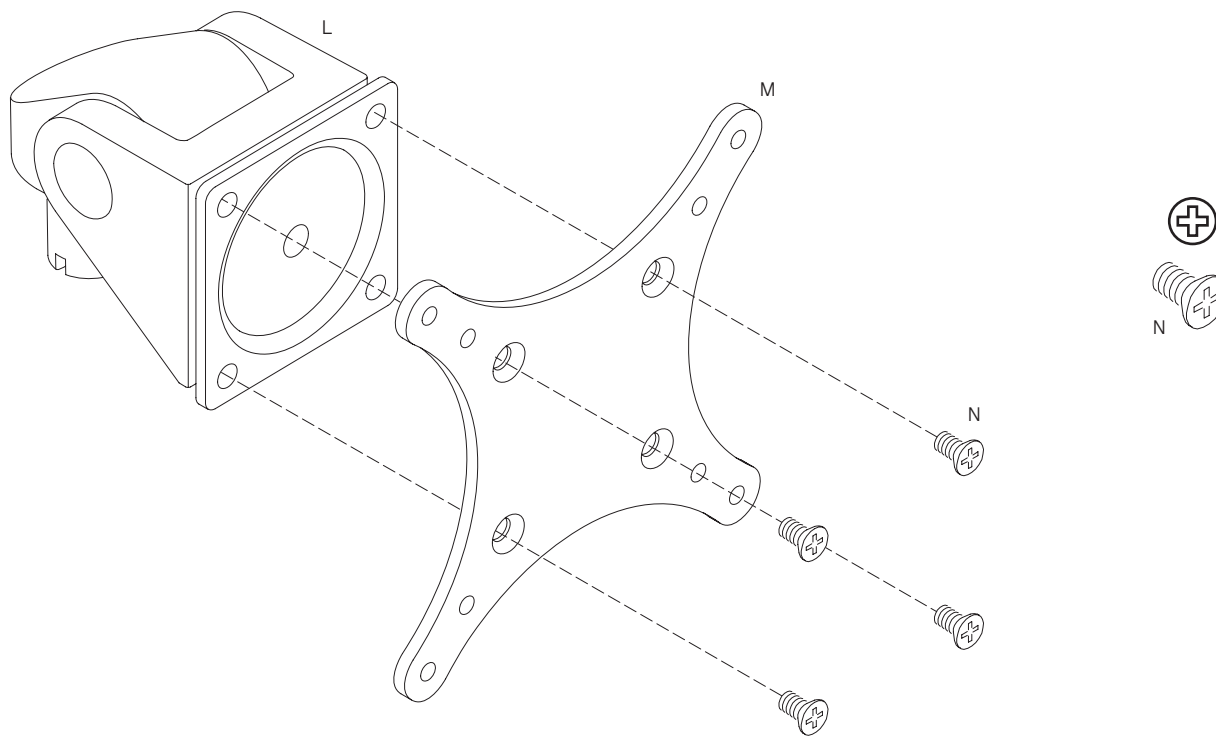
6a

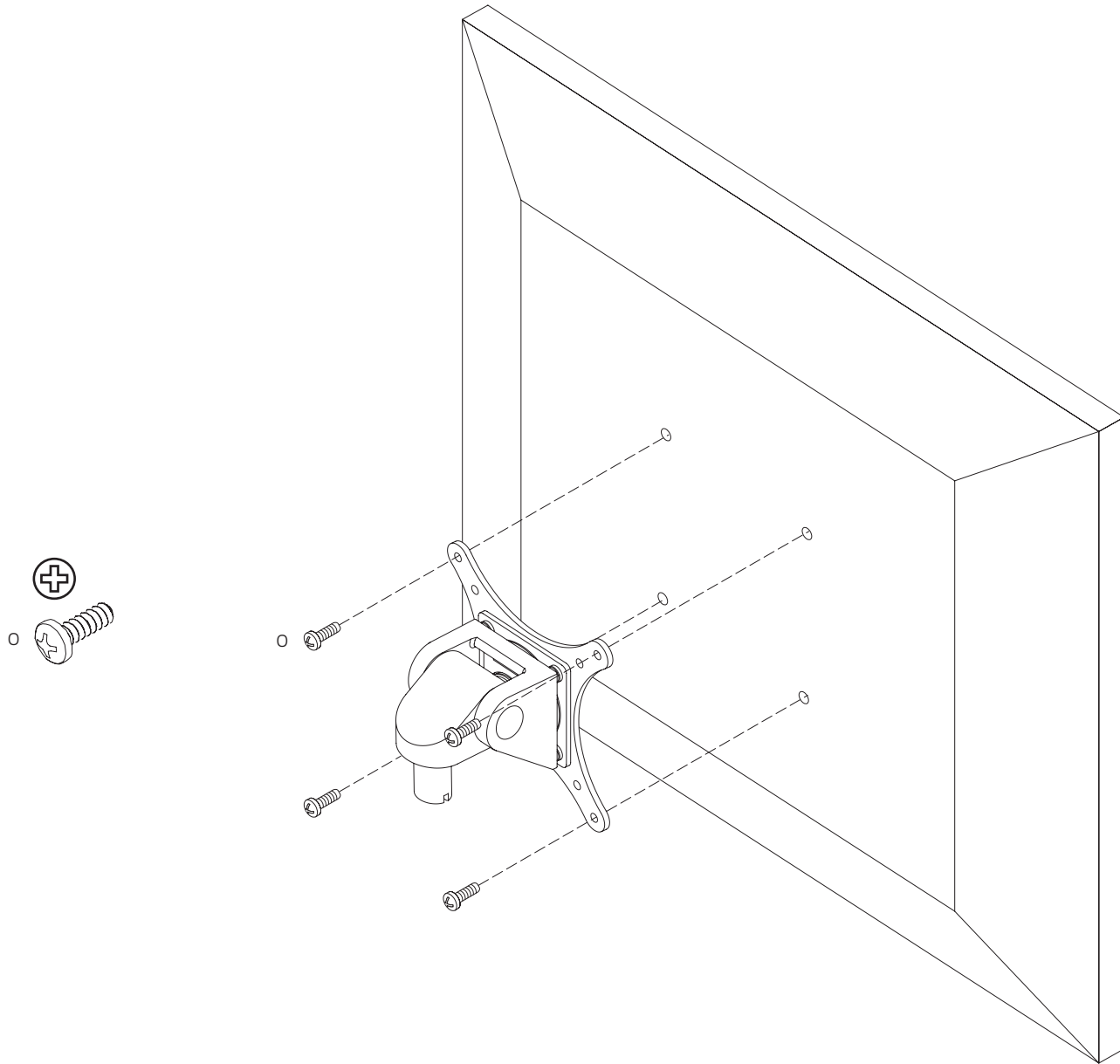


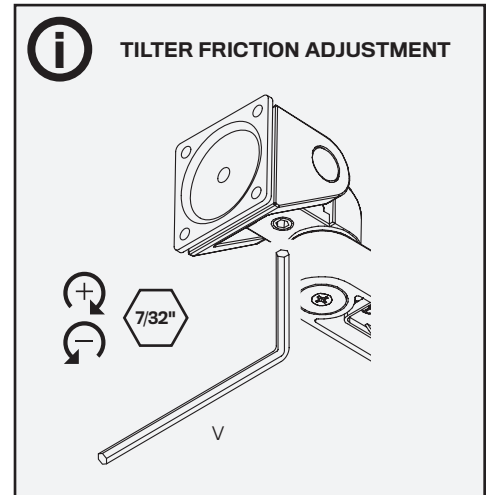
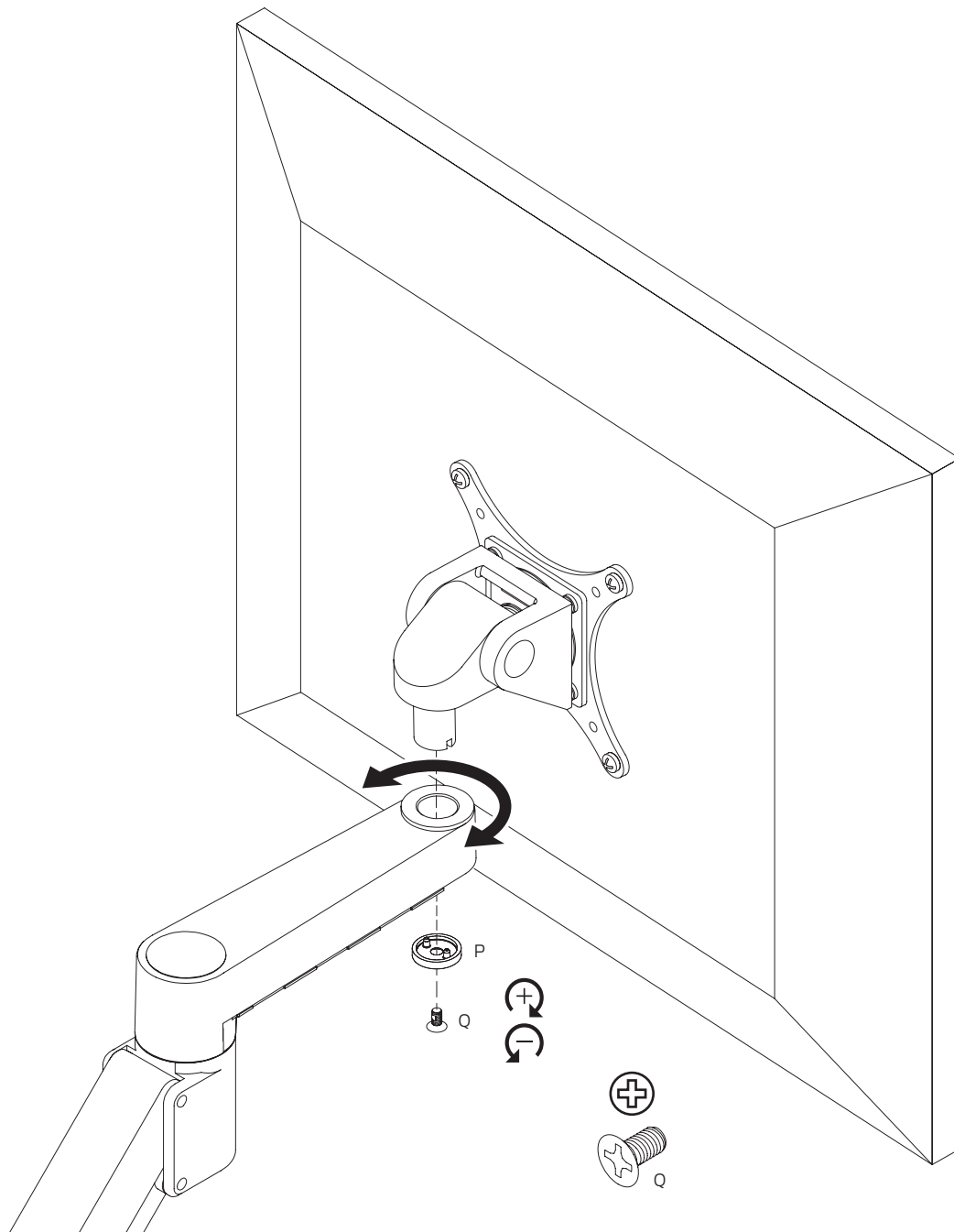
6b







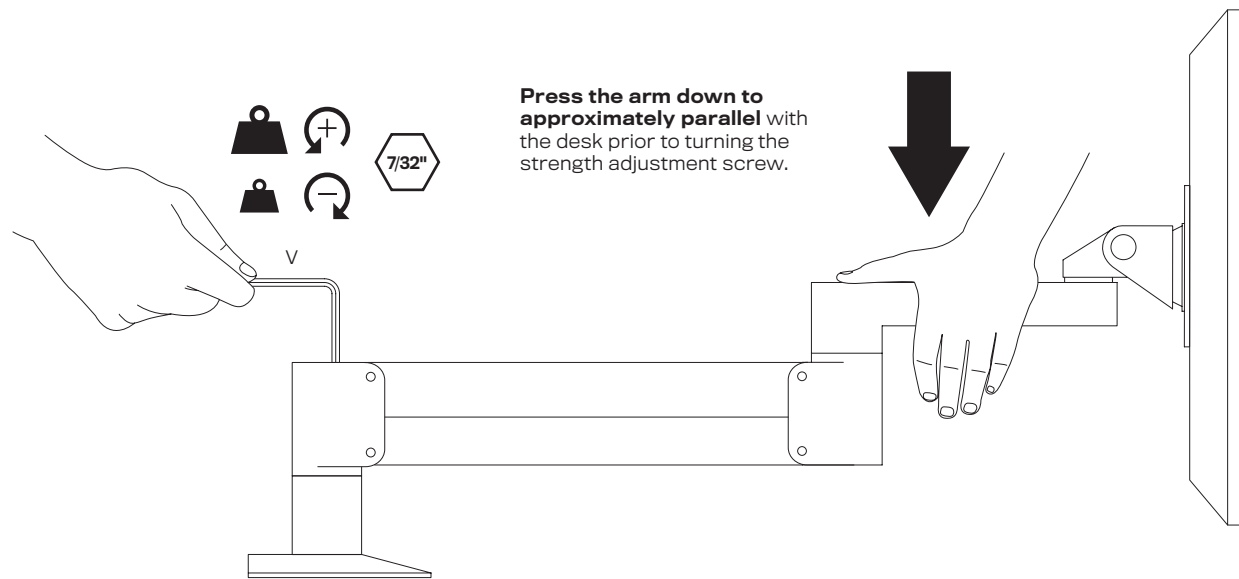
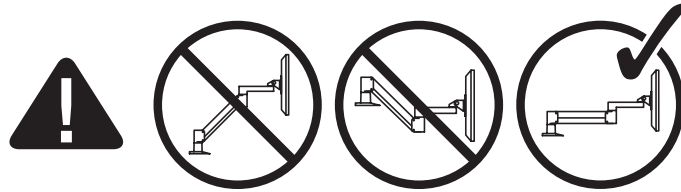




11

IMPORTANT!

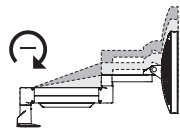
- Monitor must be on arm
- Arm must be in mount



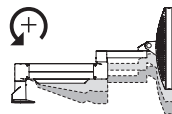
Press the arm down to approximately parallel with the desk prior to turning the strength adjustment screw.

i OPTIONAL ADJUSTMENT

In some instances, an additional counterbalance adjustment may be needed to allow the arm's instant height adjustment function to work properly. If your arm is not staying in position after performing step 11, tighten the adjustment screw as shown.



If the arm **drifts upward**, turn the adjustment screw clockwise.



If the arm **drifts downward**, turn the adjustment screw counter-clockwise.

Depending on the weight of your monitor, **you may have to make 15-20 turns.**

