
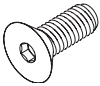

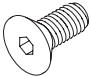
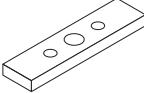
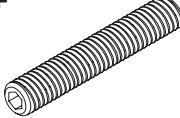
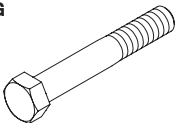
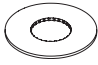
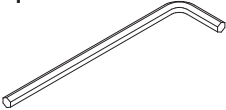
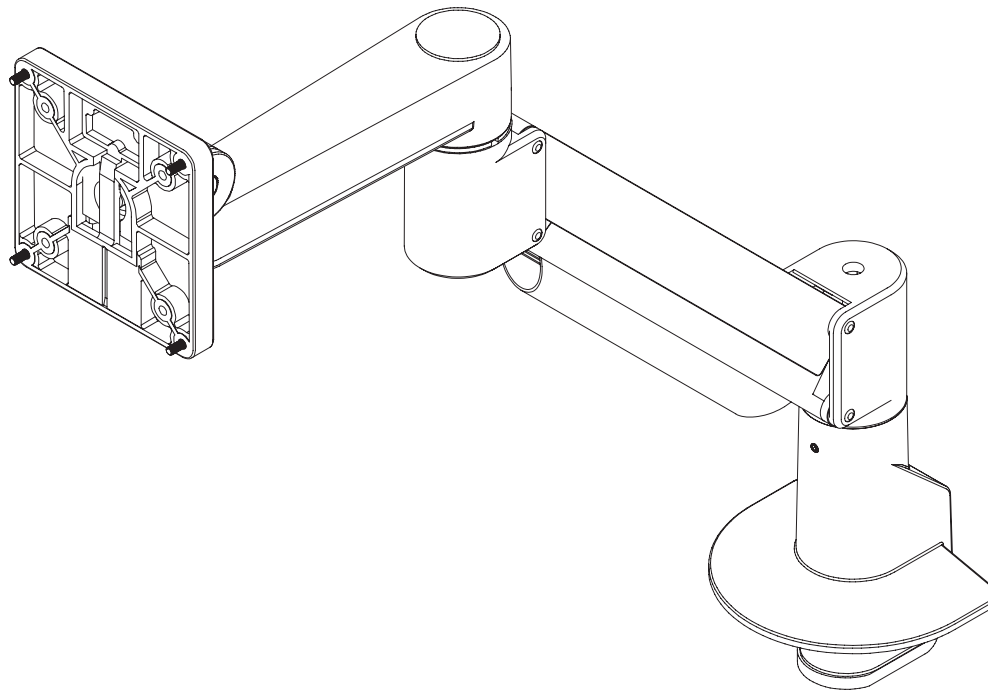


PARTS LIST

ITEM	DESCRIPTION / PART NO.	QUANTITY
A	 3/8-16 Nylon Stop Nut 701418	1
B	 3/8-16 x 1-1/4" Flat Socket Cap Screw 701855	1
C	 Foam Pad 701565 <i>Included with Models 8408 & 8408-thru only</i>	1
D	 3/8-16 x 7/8" Flat Socket Cap Screw 701799	1
E	 Rectangular Spacer 701544	1

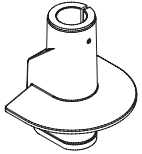
ITEM	DESCRIPTION / PART NO.	QUANTITY
F	 1/2-13 x 3" Socket Set Screw 701126	1
G	 3/8-16 x 2-1/2" Hex Head Bolt 700268 <i>Included with Models 8408-thru & 8408-cup only</i>	1
H	 Foam Pad 701120 <i>Included with Model 8408-cup only</i>	1
I	 7/32" Allen Wrench 701127	1



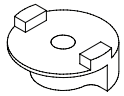
PARTS LIST

Note: Parts may be shipped in separate boxes, please review all packaging prior to discarding.

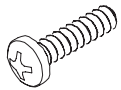
A Top Down Mount 1x
8524



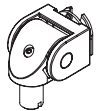
B 180 Degree Rotation Stop 1x
108208-180



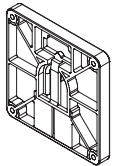
C M6 x 1 x 18mm Phillips Pan Head Screw 1x
105304



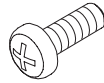
D Monitor Tilter 1x
8500 Tilter



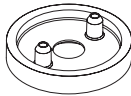
E Quick Connect VESA Plate 1x
114808



F M4 x 12mm Phillips Pan Head Screw (4-pack) 1x
702096



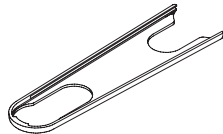
G Dog Washer 1x
105189



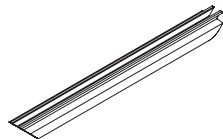
H 10-32 x 3/8" FPhMS w/Lock Patch 1x
705198



I Forearm Cable Cap 1x
115584



J Cable Cap 1x
114810



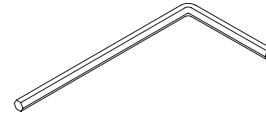
K 1/8" Allen Wrench 1x
701312



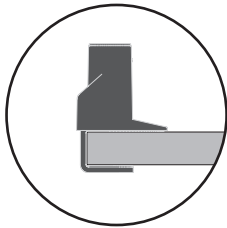
L 3/32" Allen Wrench 1x
700146



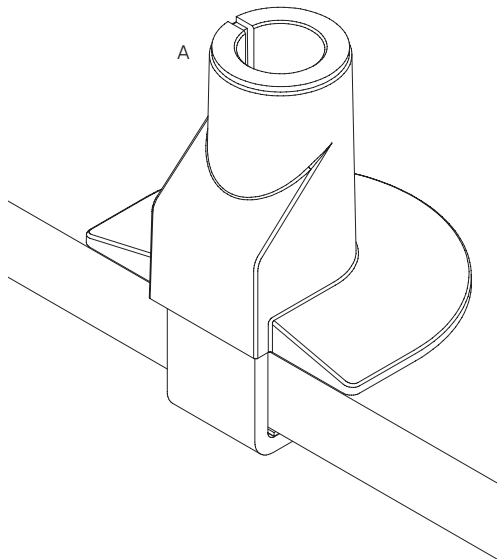
M 7/32" Allen Wrench 1x
701127



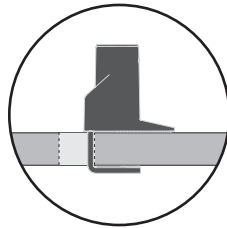
1



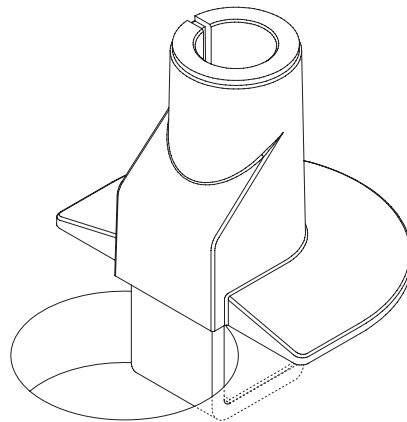
Desk thickness
up to 1.5" (3.8 cm)



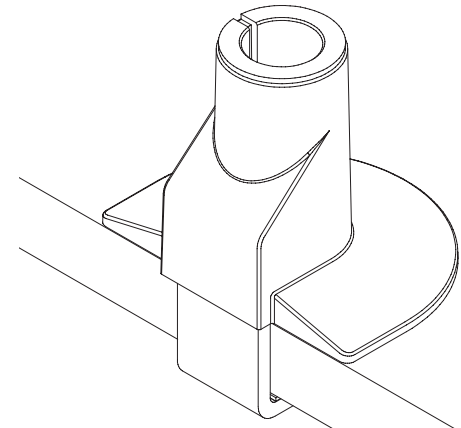
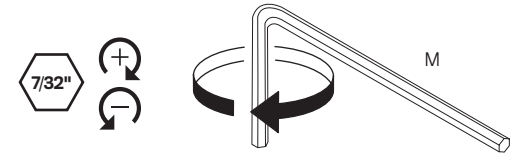
OR



Desk thickness
up to 1.5" (3.8 cm)



2

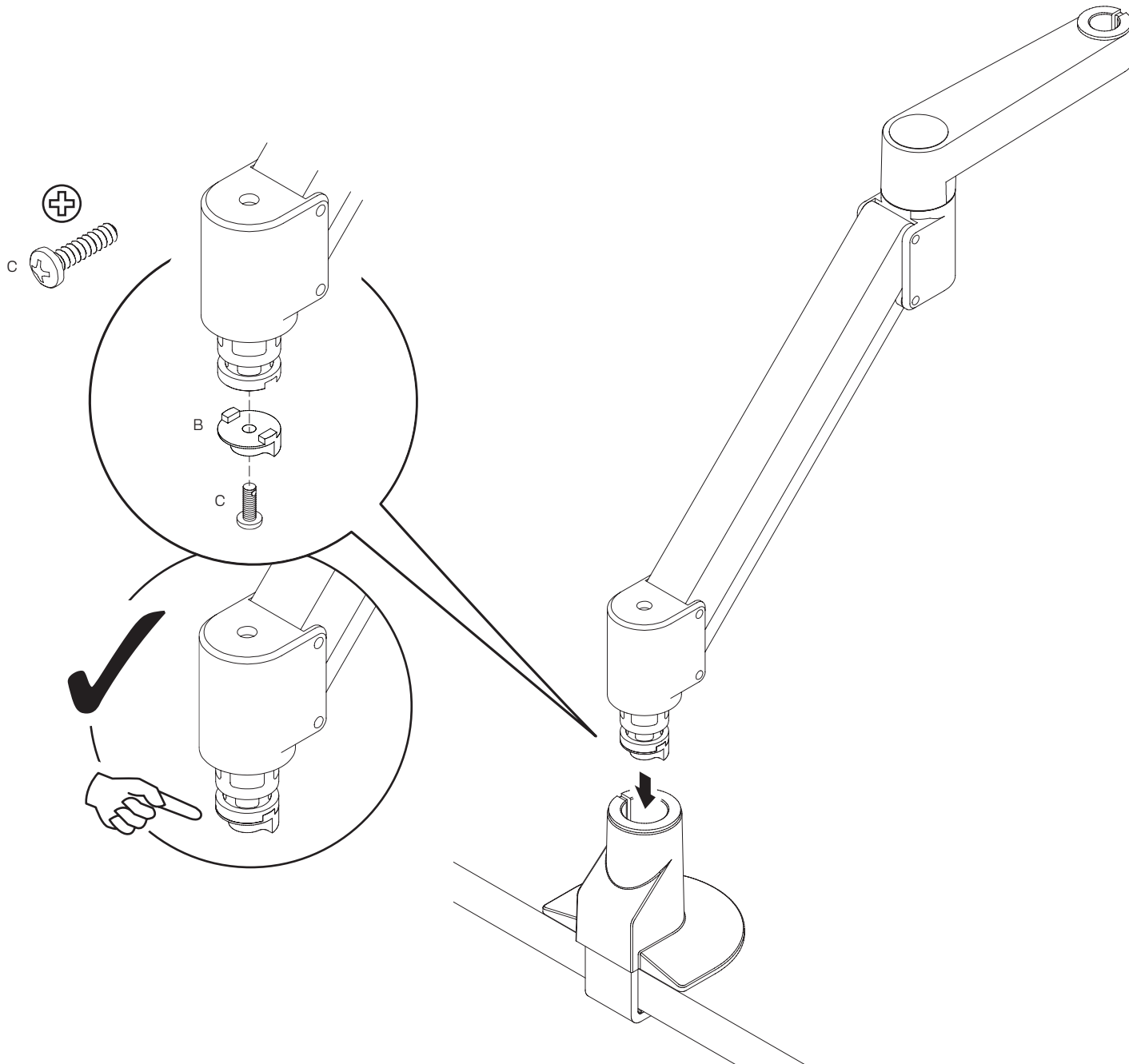


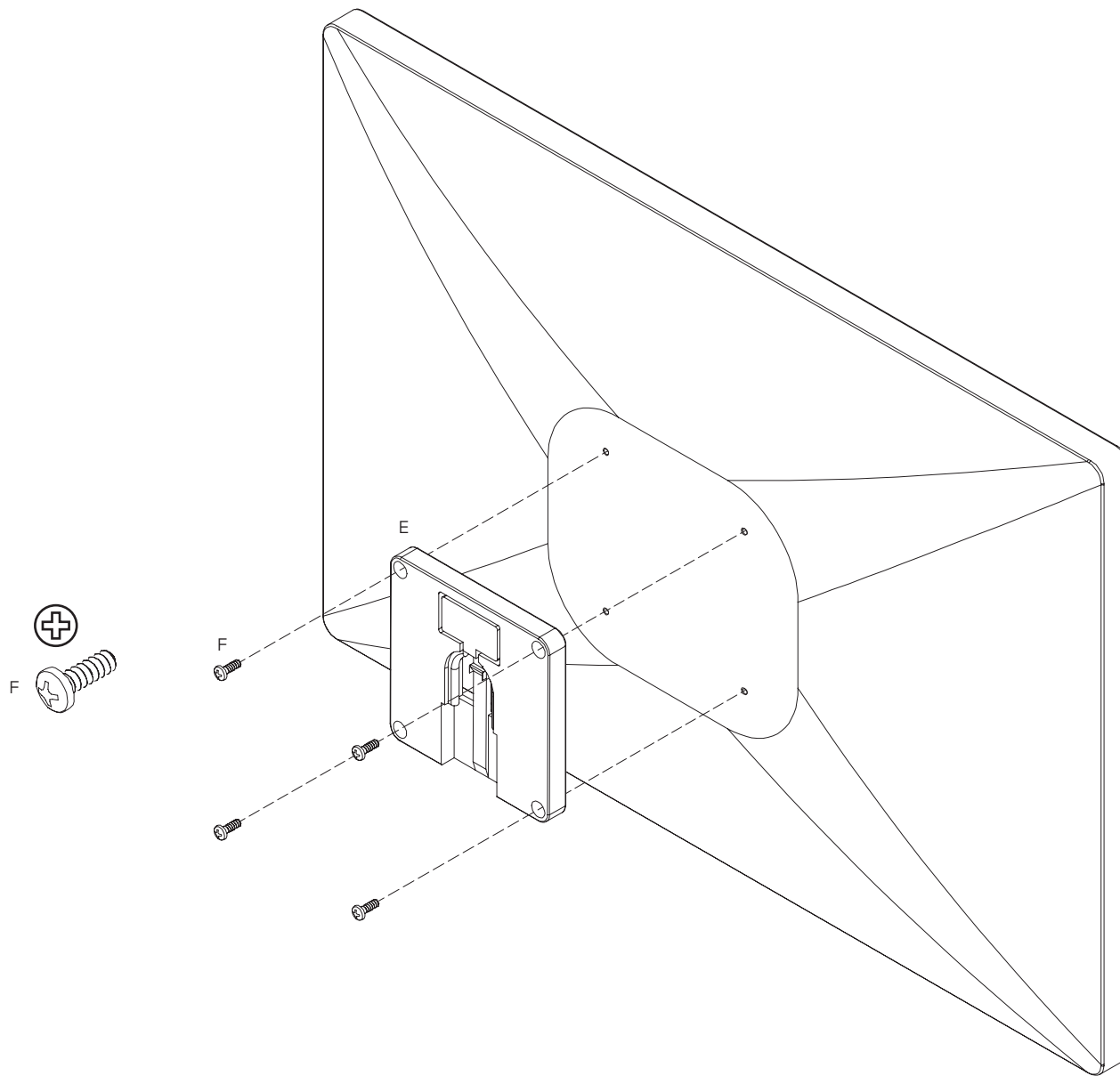
i If the monitor arm or pole does not easily fit into the mount, remove the bushing from the mount and place it on the monitor arm or pole and press firmly back into the mount.

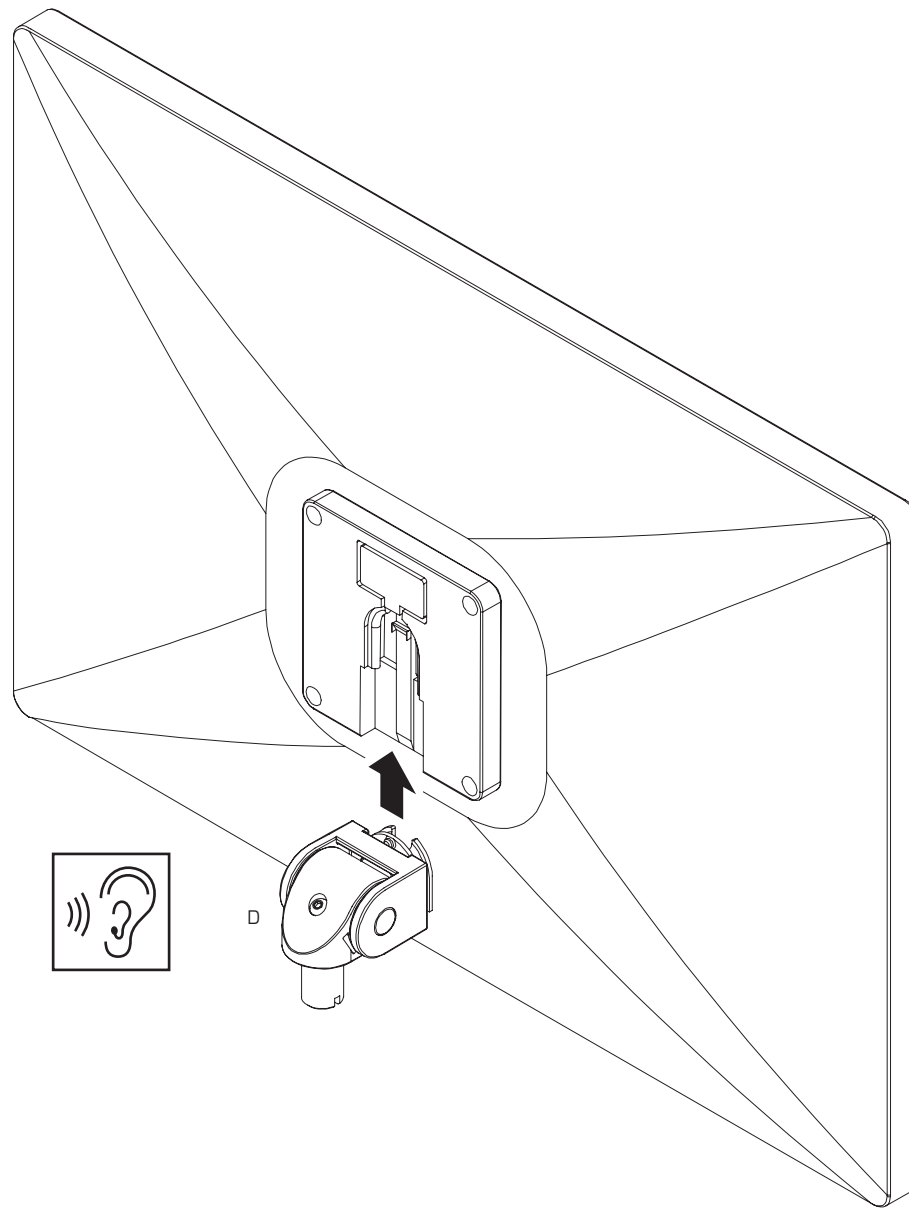
2a

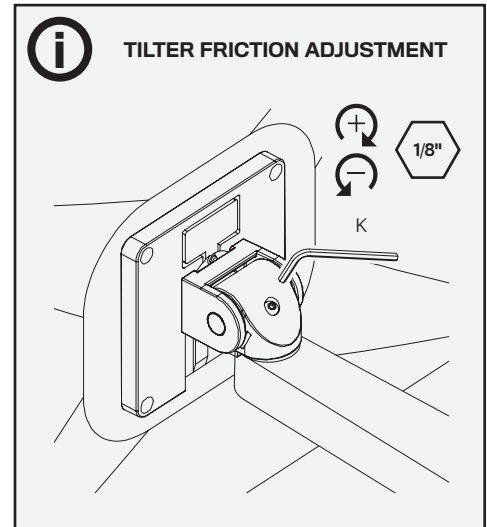
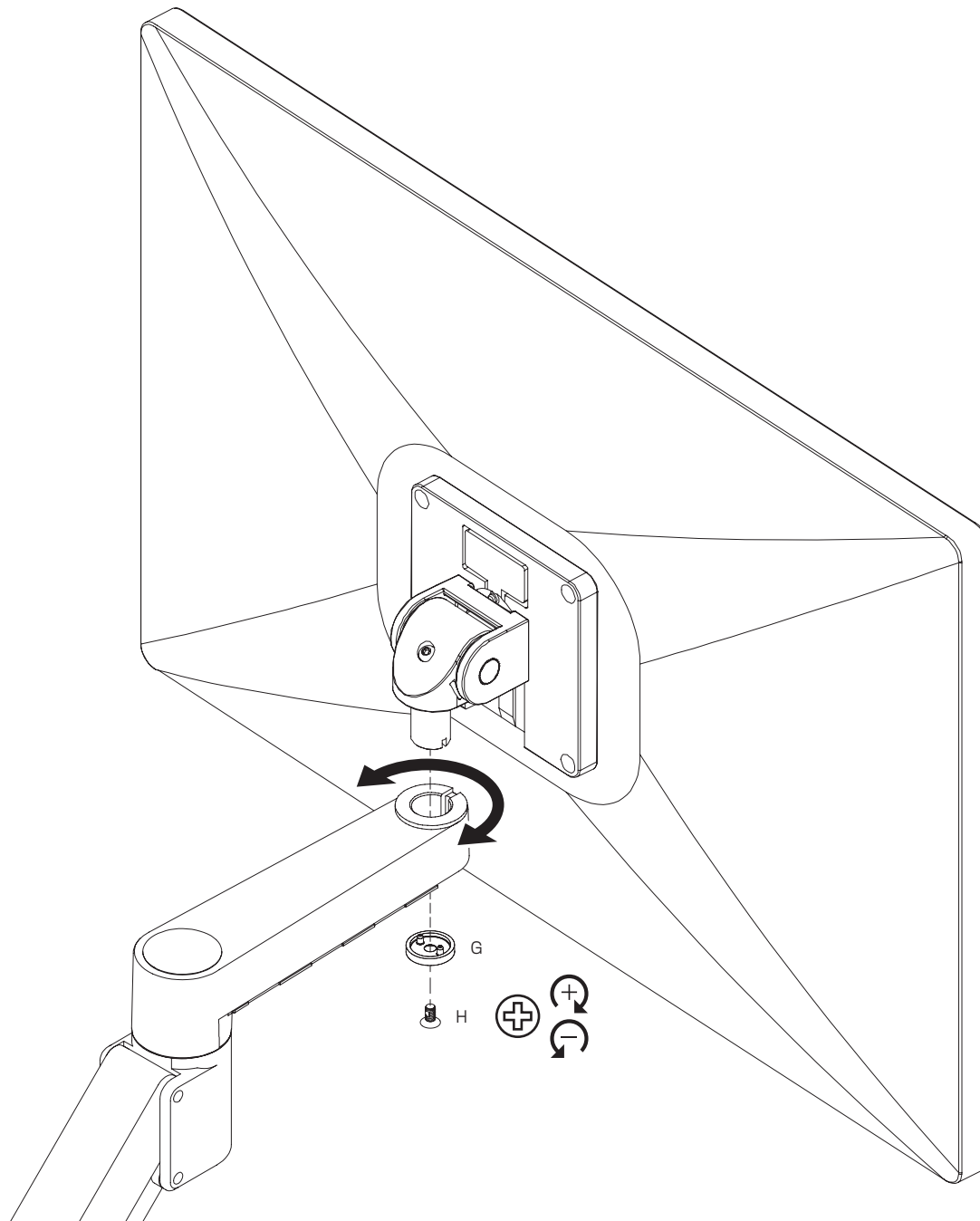
2b

2c





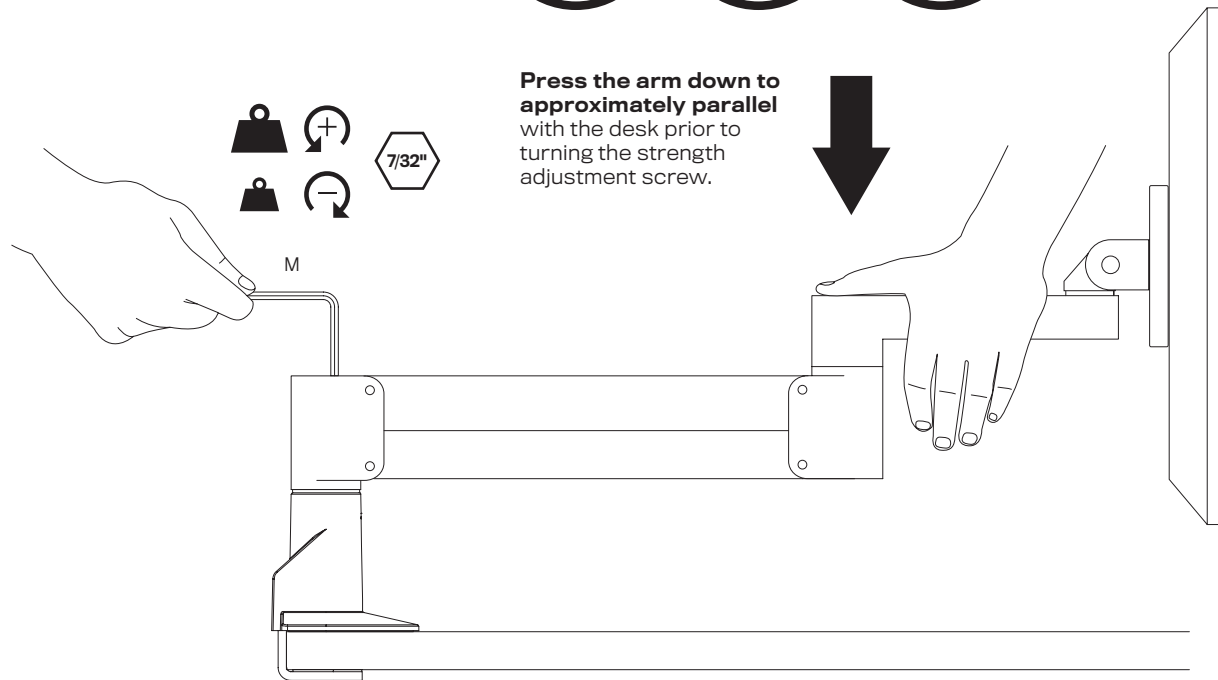
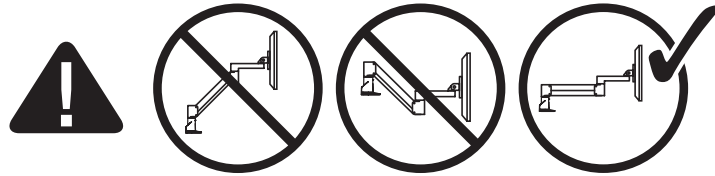




7

IMPORTANT!

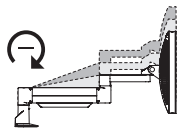
- Monitor must be on arm
- Arm must be in mount



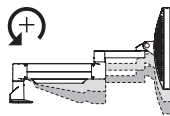
i **Optional Adjustment**

In some instances, an additional counterbalance adjustment may be needed to allow the arm's instant height adjustment function to work properly.

If your arm is not staying in position after performing step 7, tighten the adjustment screw as shown.



If the arm **drifts upward**, turn the adjustment screw clockwise.



If the arm **drifts downward**, turn the adjustment screw counter-clockwise.

Depending on the weight of your monitor, **you may have to make 15-20 turns.**

