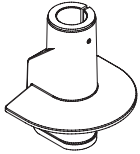


Note: Parts may be shipped in separate boxes, please review all packaging prior to discarding.

7000 Parts List

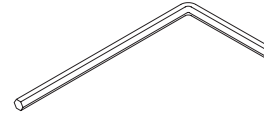
A Top Down Mount 1x
8524



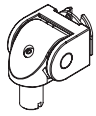
F 10-32 x 3/8" FPhMS w/Lock Patch 1x
705198



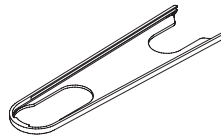
K 7/32" Allen Wrench 1x
701127



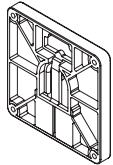
B Monitor Tilter 1x
8500 Tilter



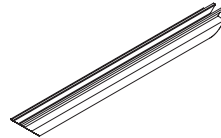
G Forearm Cable Cap 1x
115584



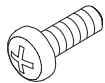
C Quick Connect VESA Plate 1x
114808



H Cable Cap 1x
114810



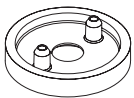
D M4 x 12mm Phillips Pan Head Screw (4-pack) 1x
702096



I 1/8" Allen Wrench 1x
701312



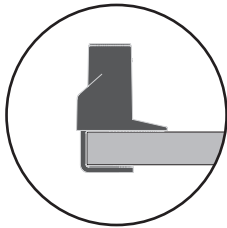
E Dog Washer 1x
105189



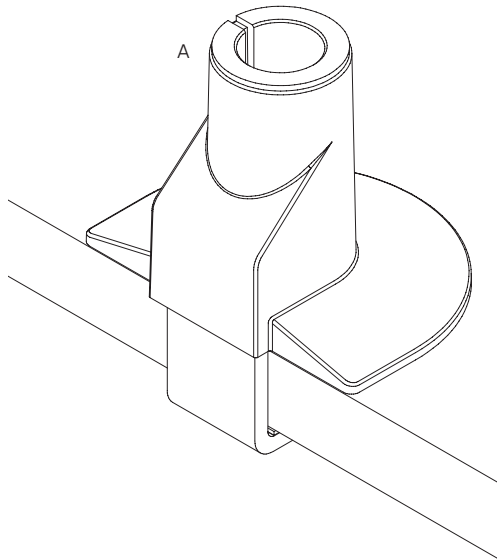
J 3/32" Allen Wrench 1x
700146



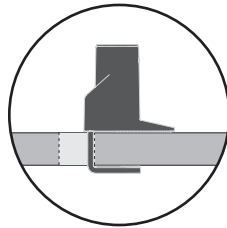
1



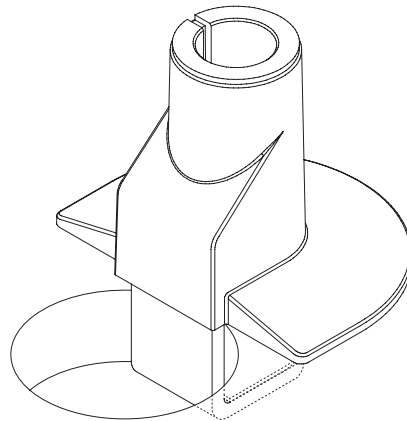
Desk thickness
up to 1.5" (3.8 cm)



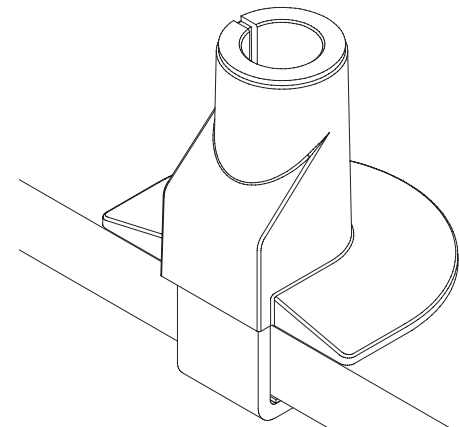
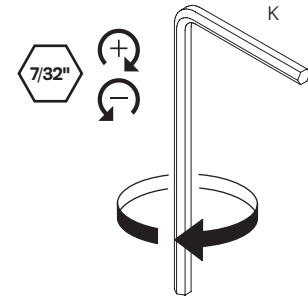
OR



Desk thickness
up to 1.5" (3.8 cm)

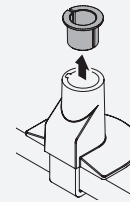


2

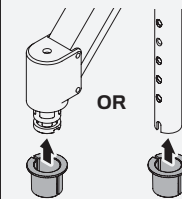


If the monitor arm or pole does not easily fit into the mount, remove the bushing from the mount and place it on the monitor arm or pole and press firmly back into the mount.

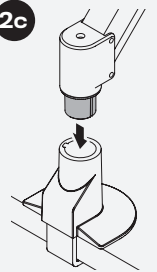
2a

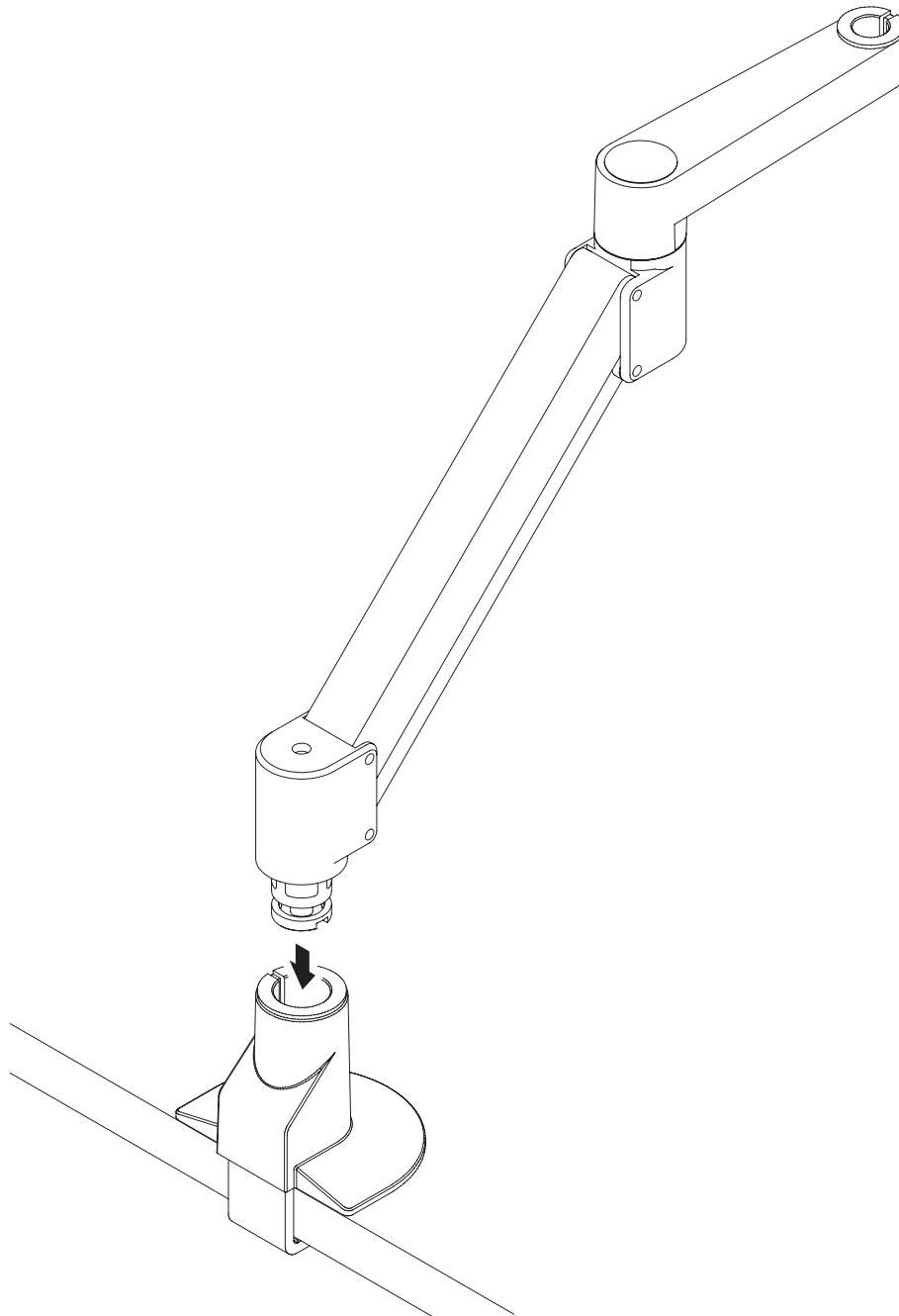


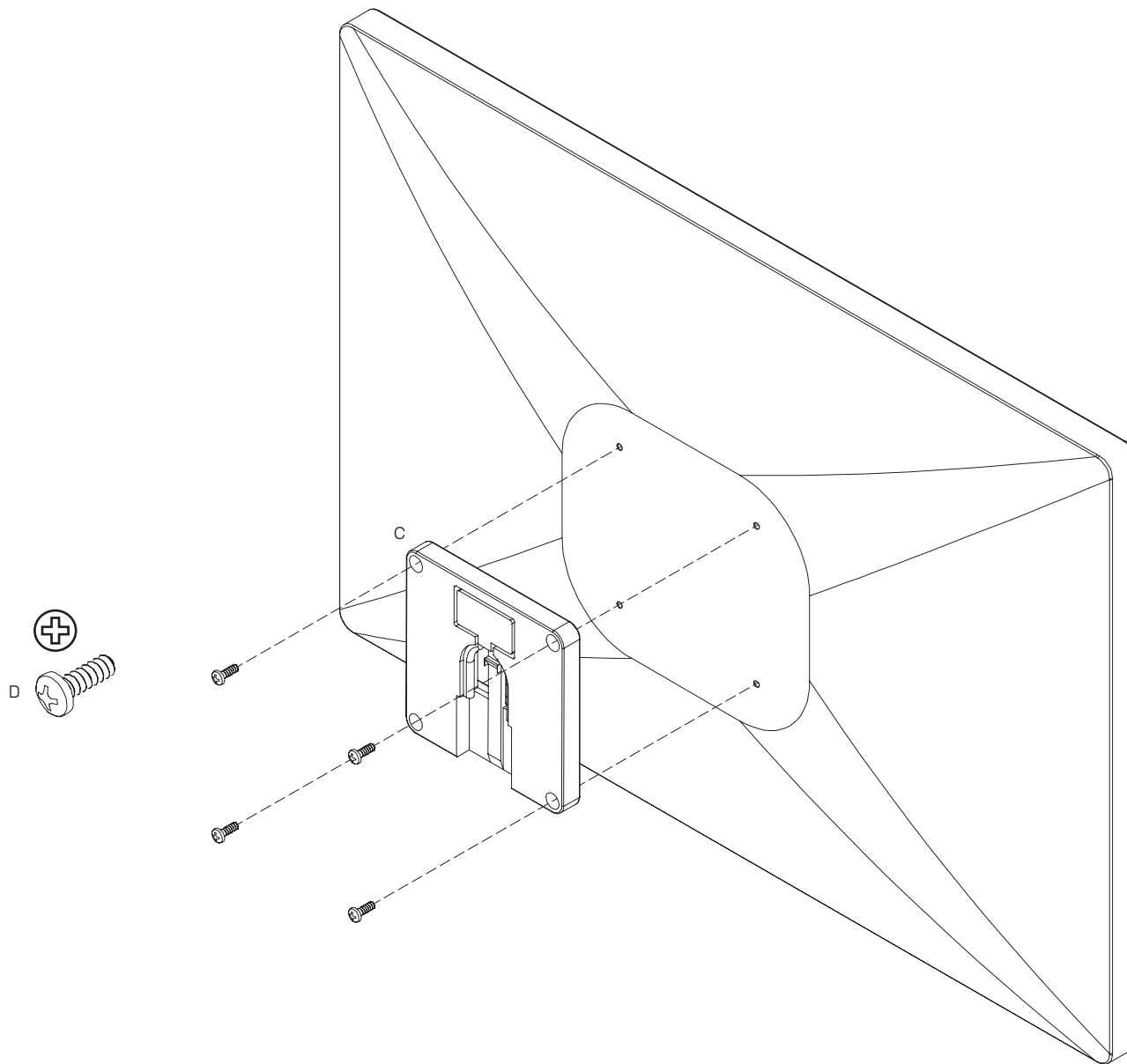
2b

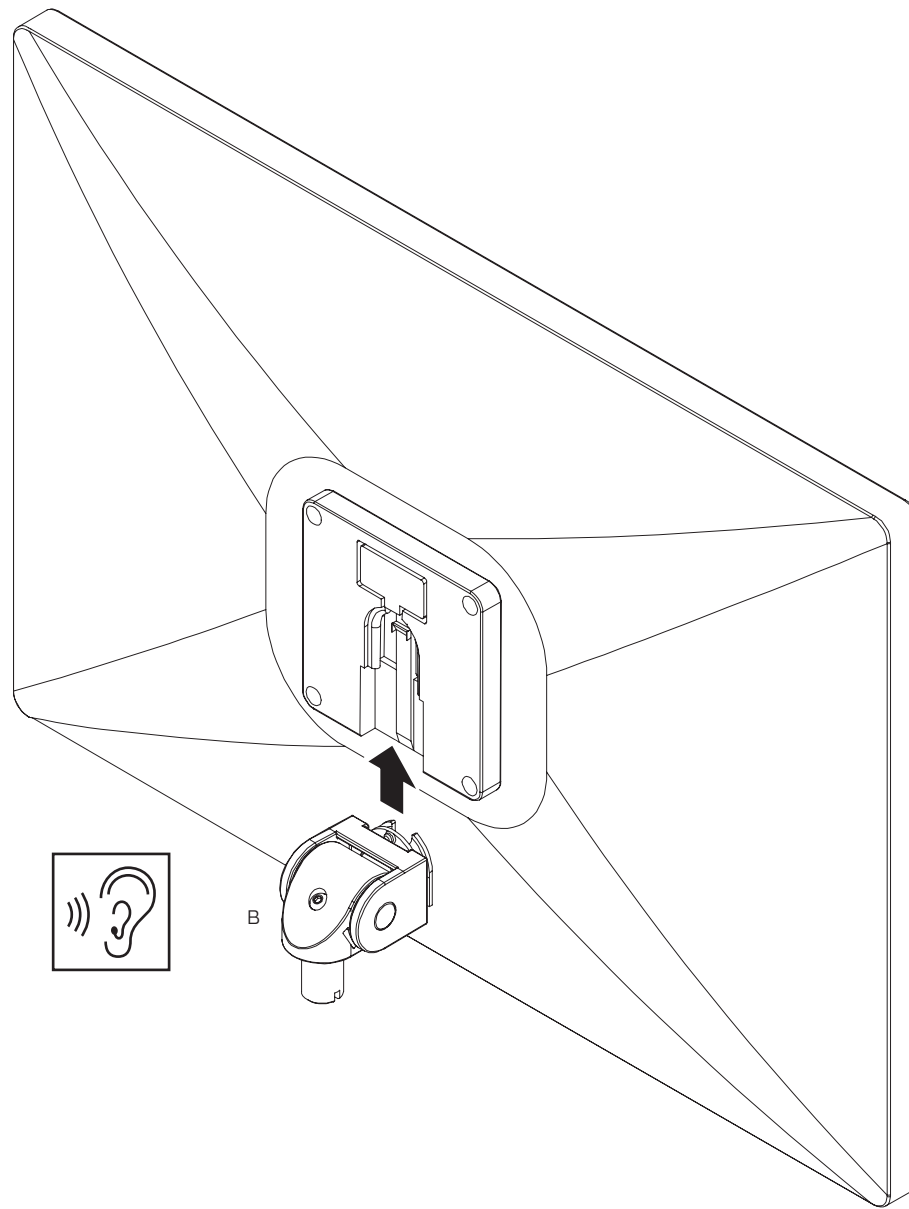


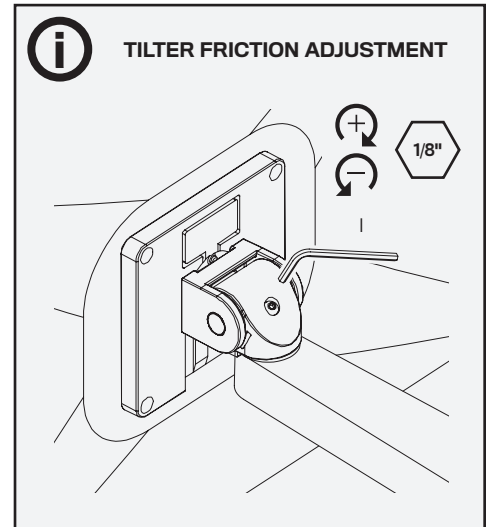
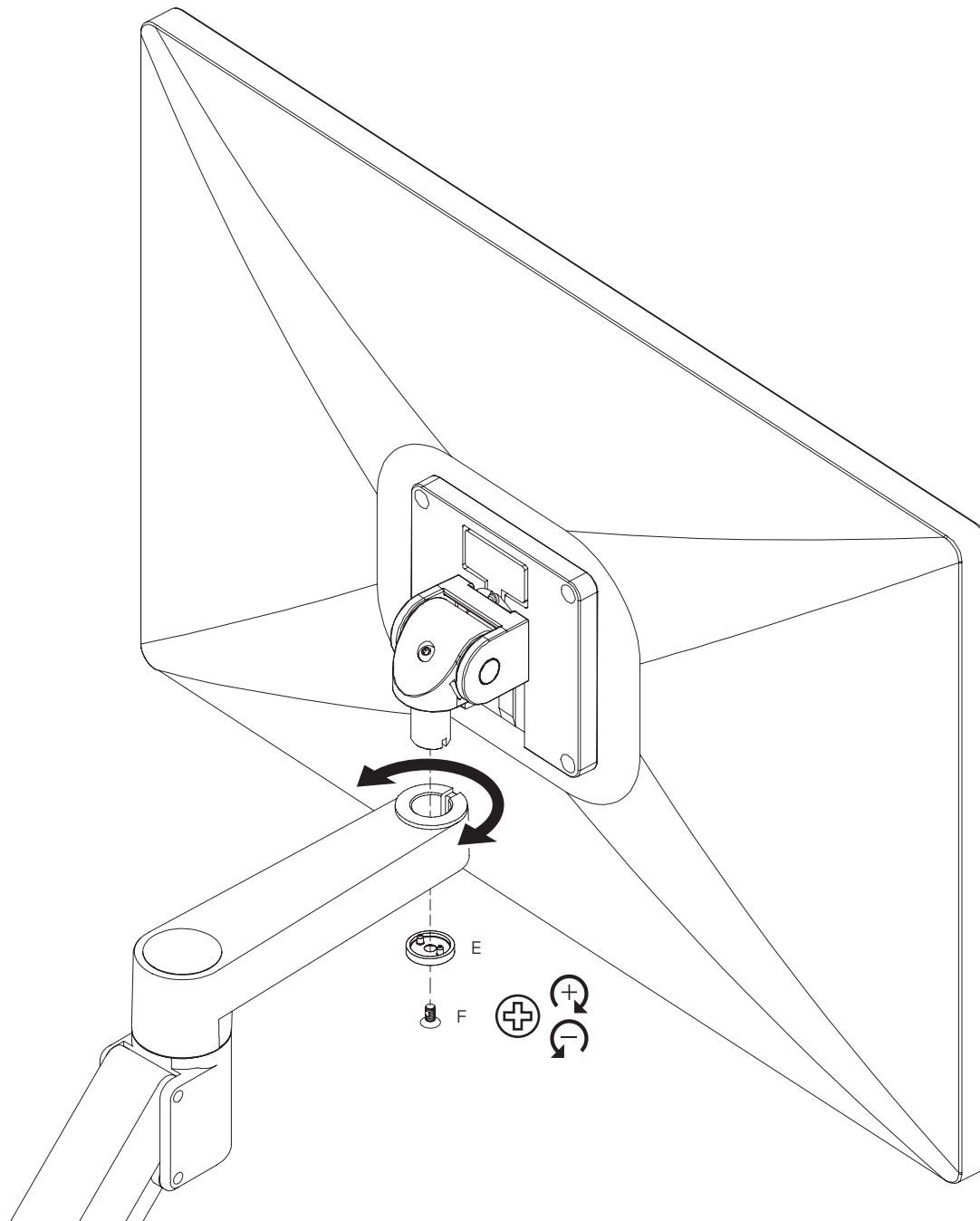
2c







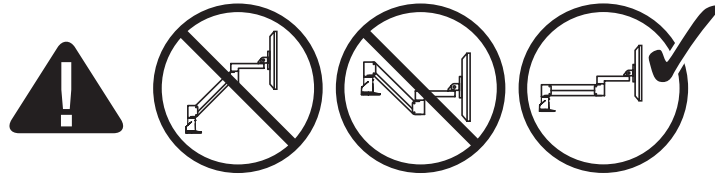




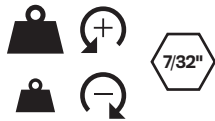
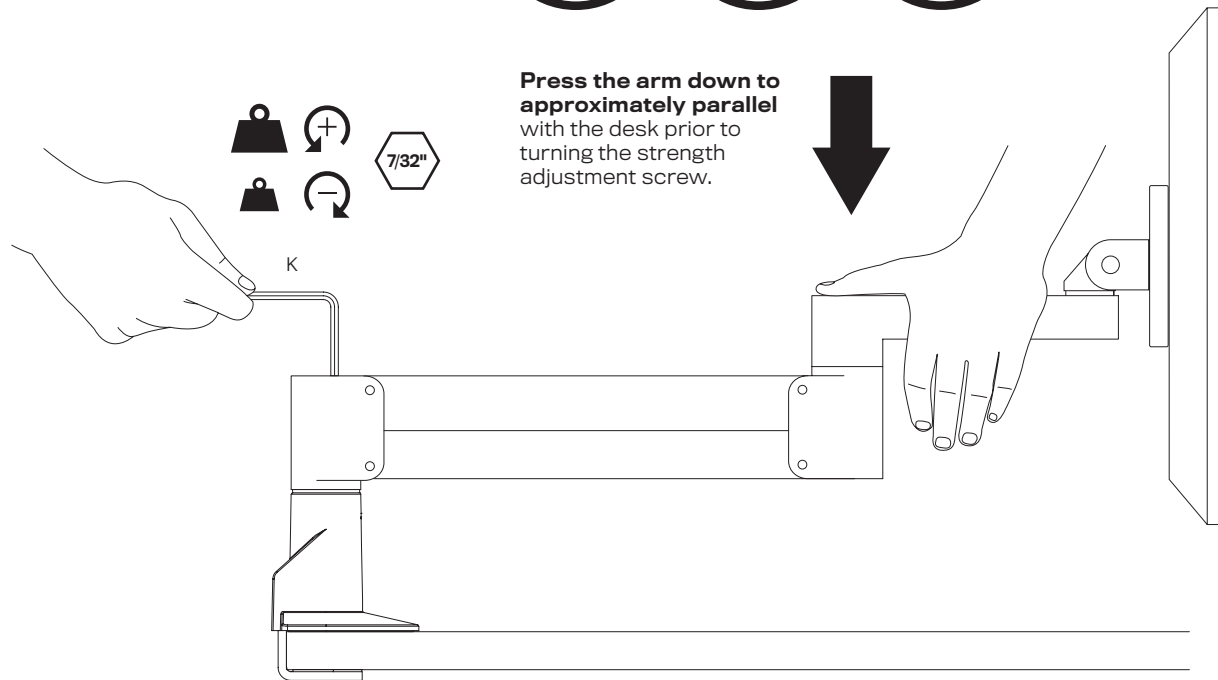
7

IMPORTANT!

- Monitor must be on arm
- Arm must be in mount



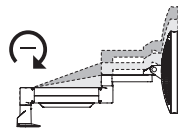
Press the arm down to approximately parallel with the desk prior to turning the strength adjustment screw.



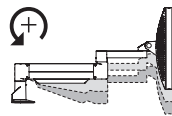
i Optional Adjustment

In some instances, an additional counterbalance adjustment may be needed to allow the arm's instant height adjustment function to work properly.

If your arm is not staying in position after performing step 7, tighten the adjustment screw as shown.

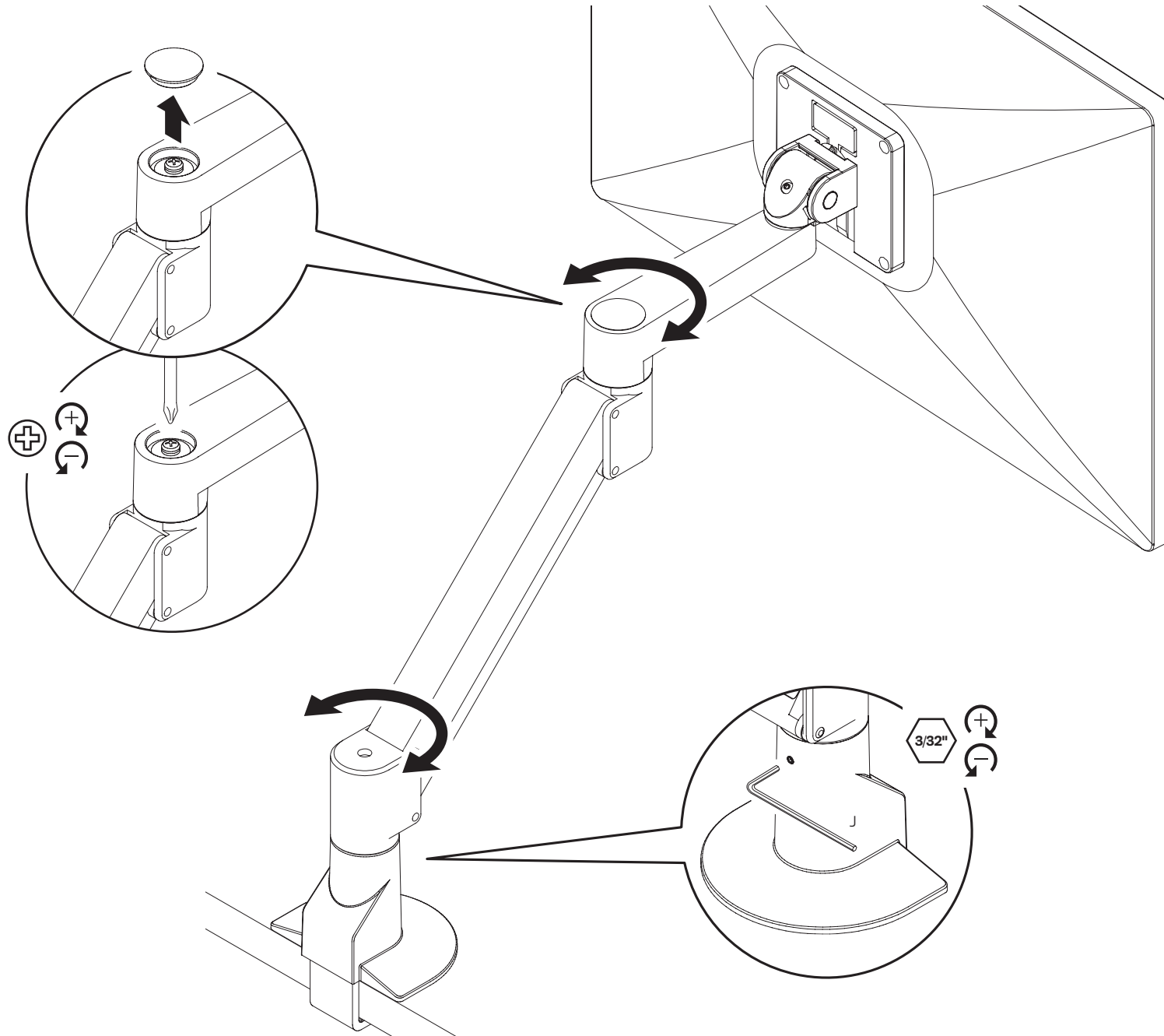


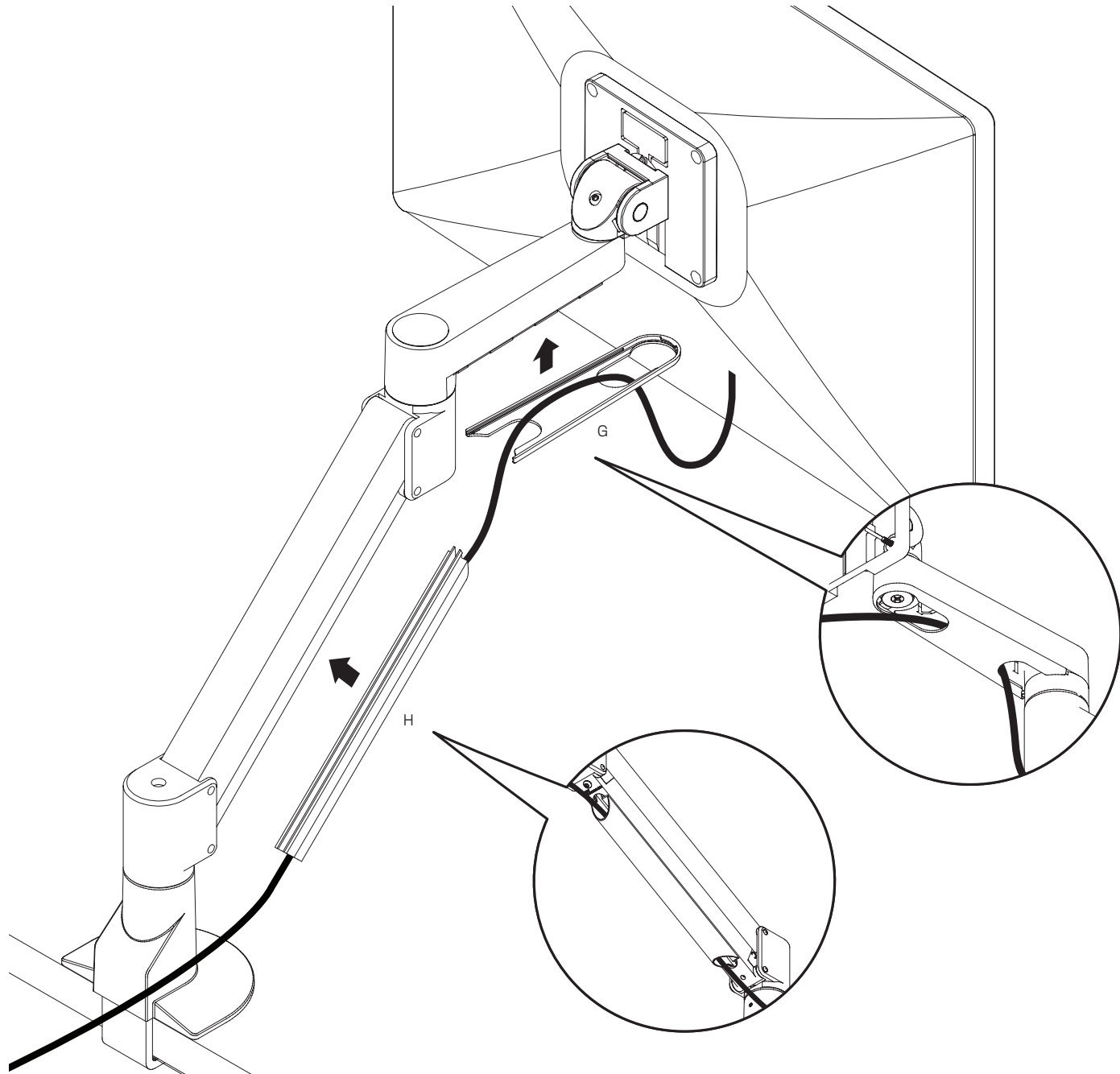
If the arm **drifts upward**, turn the adjustment screw clockwise.



If the arm **drifts downward**, turn the adjustment screw counter-clockwise.

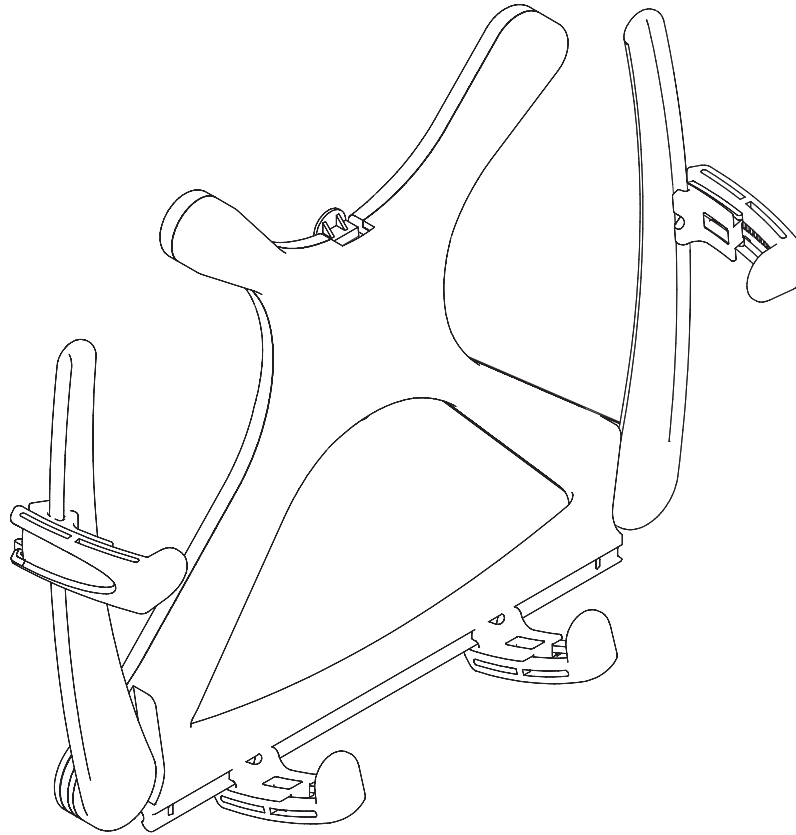
Depending on the weight of your monitor, **you may have to make 15-20 turns.**





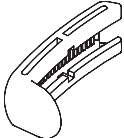
5501

Installation Instructions



PARTS LIST

A Adjustable Clasp 4x
105479



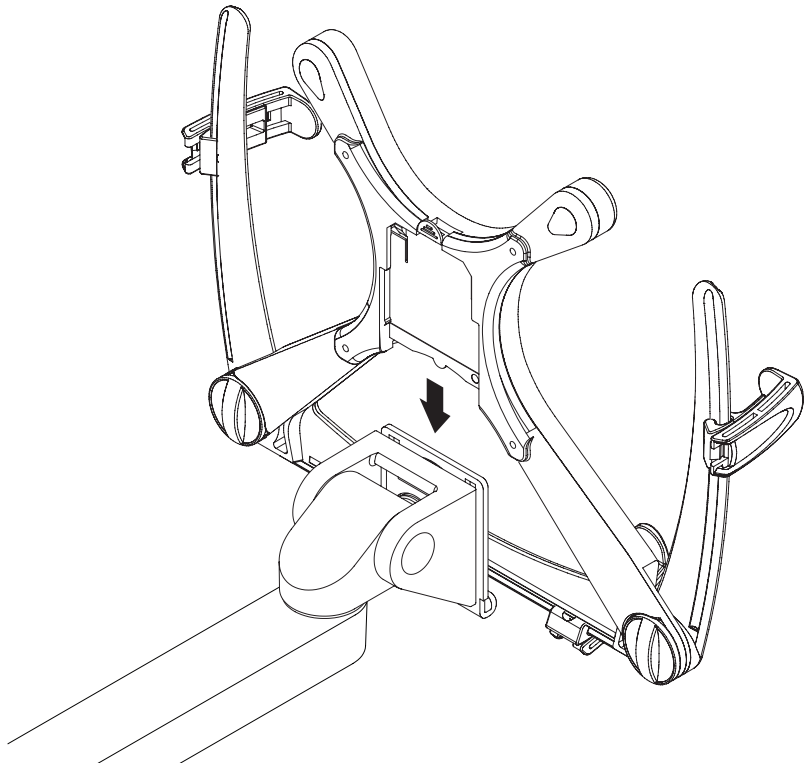
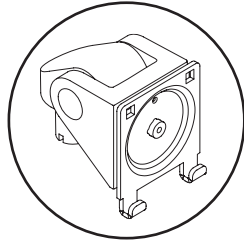
B Adjustable Clasp Base 4x
105478



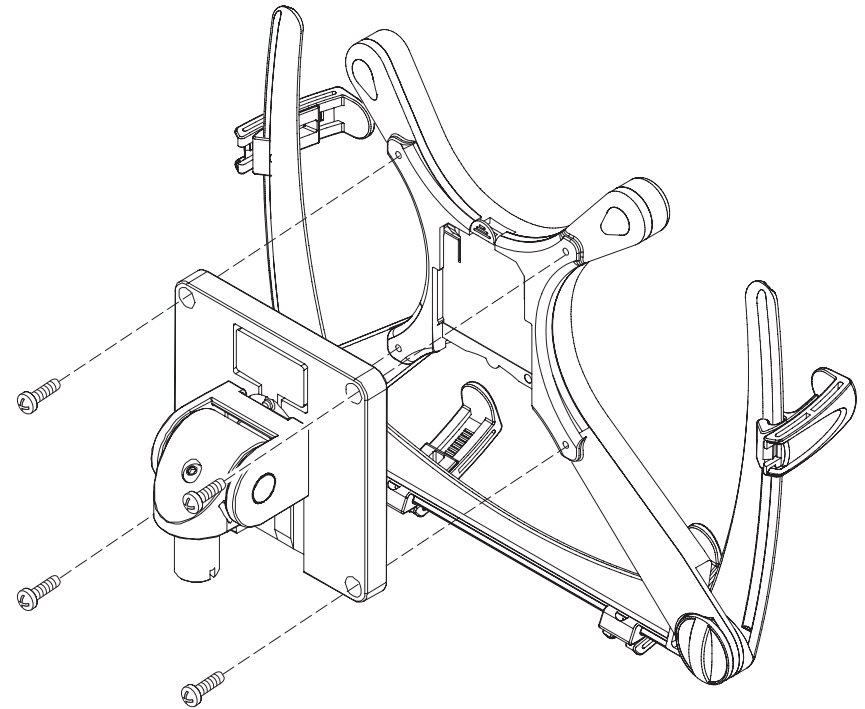
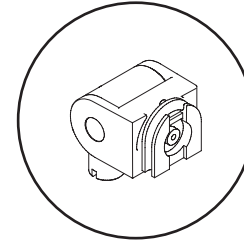
C Laptop Clip Shoe 4x
106096



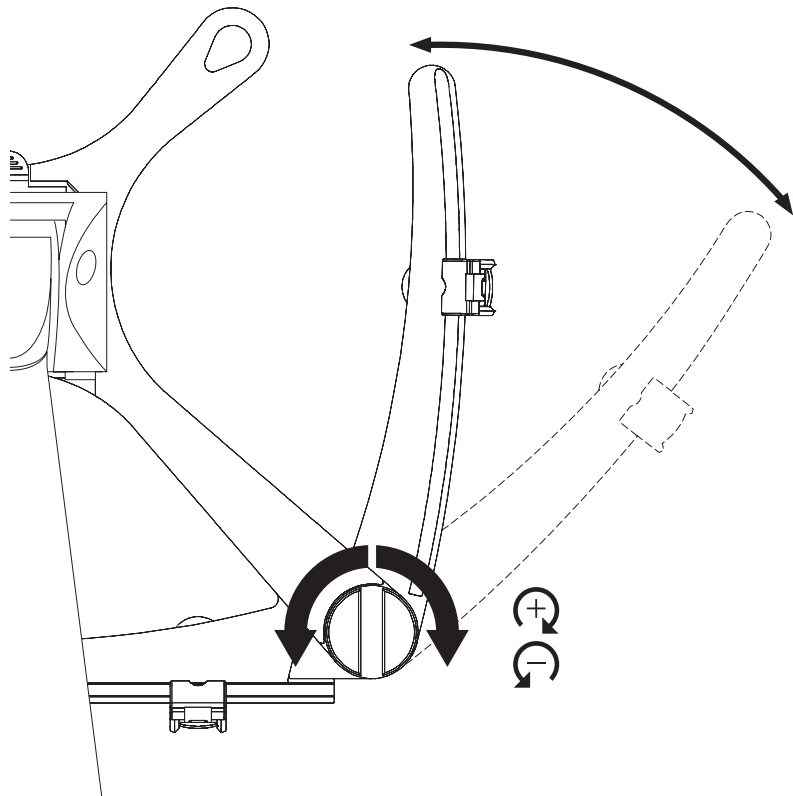
1



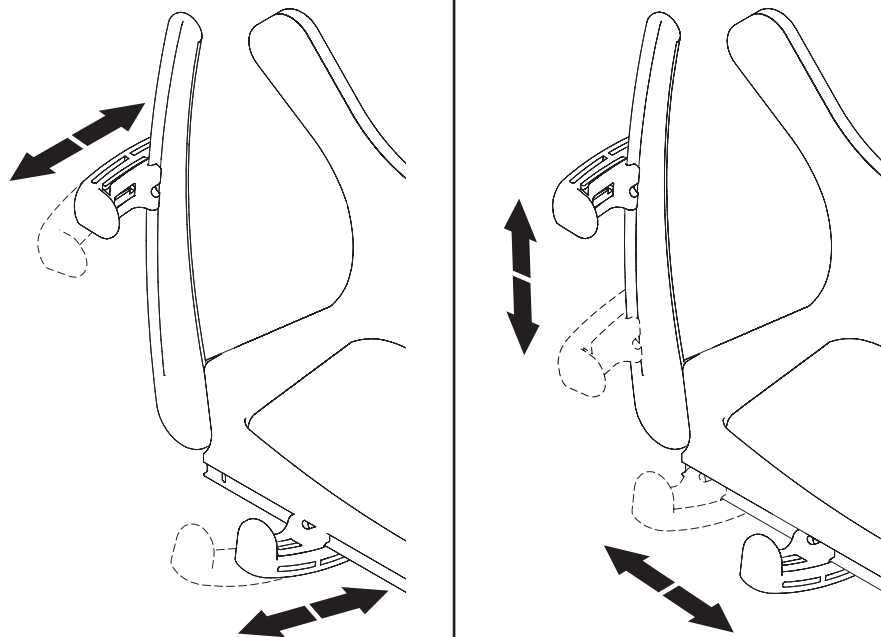
OR

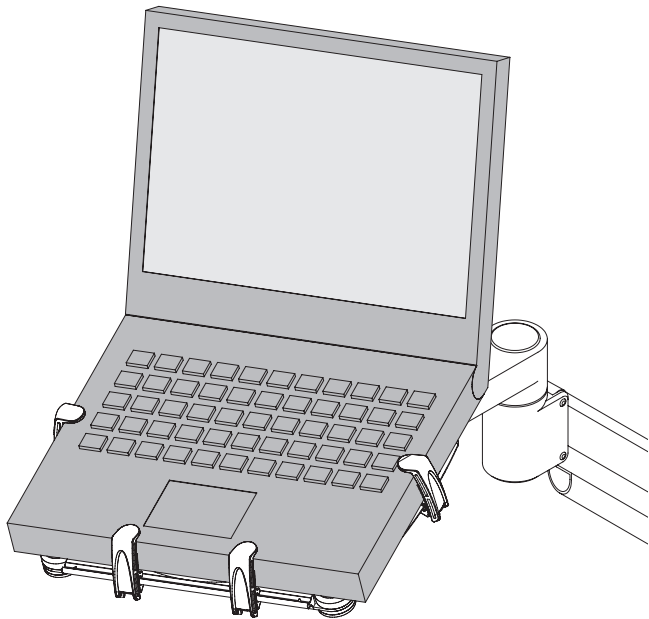


2

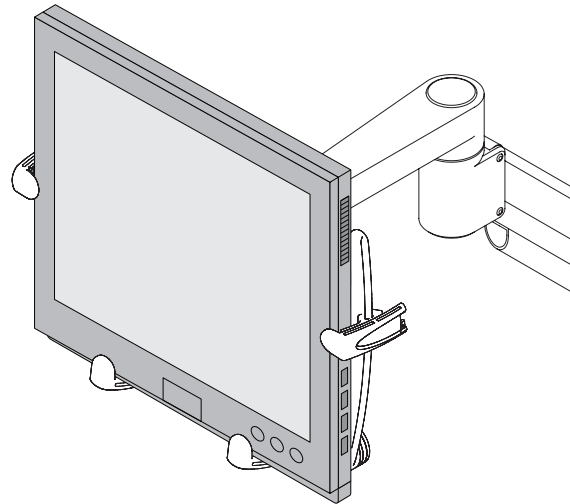


3





OR

**LAPTOP CLIP SHOES**

For ultra thin laptops/tablet PCs:
Install the laptop clip shoes (item C) that
are provided to ensure a secure grasp.

