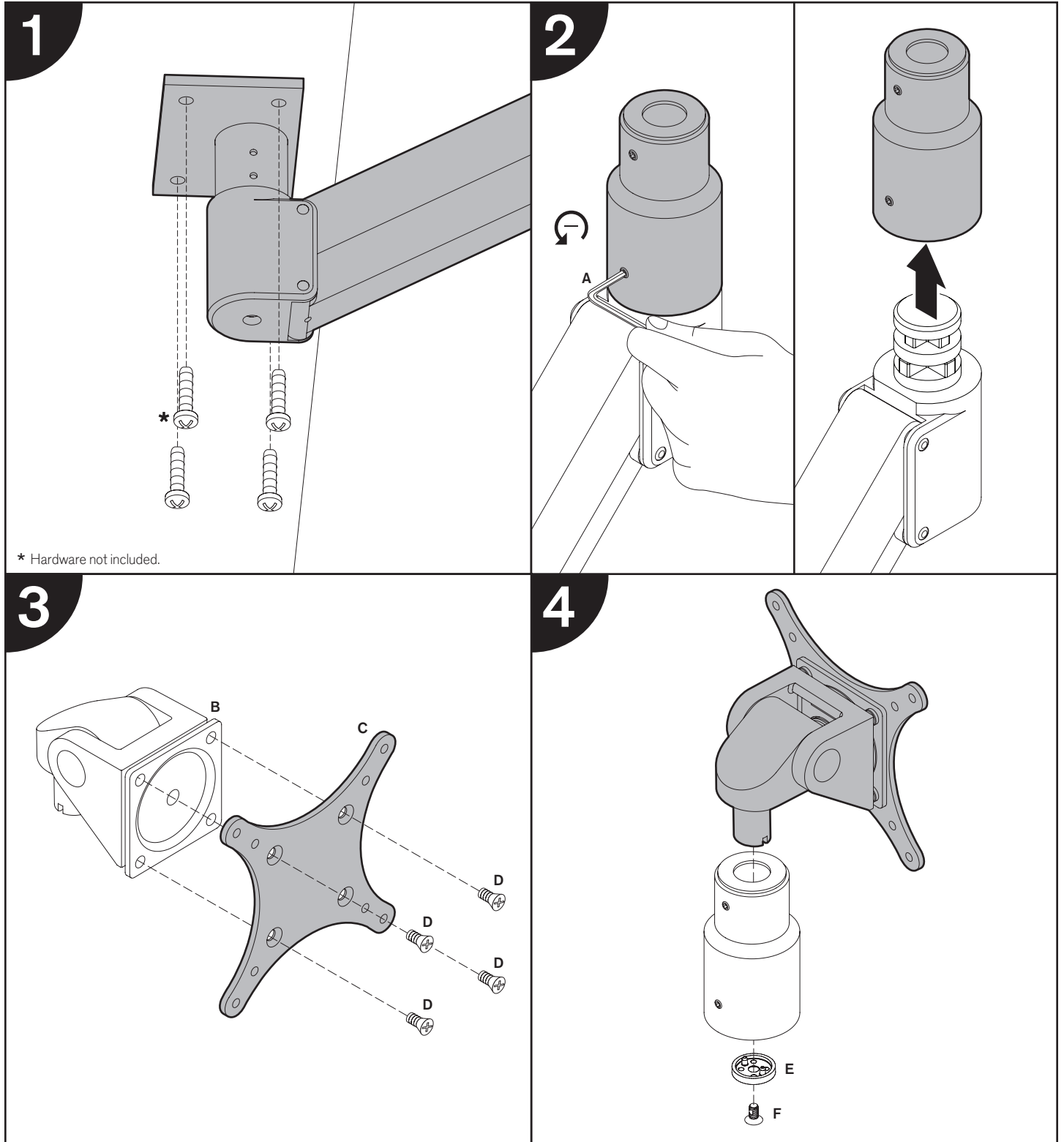
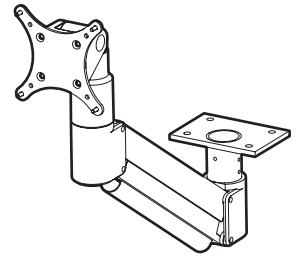
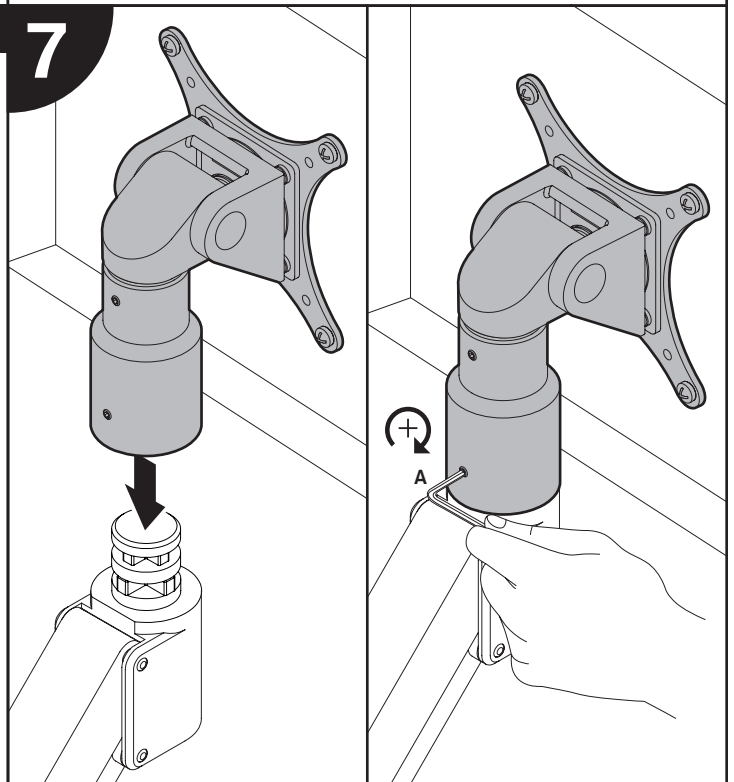
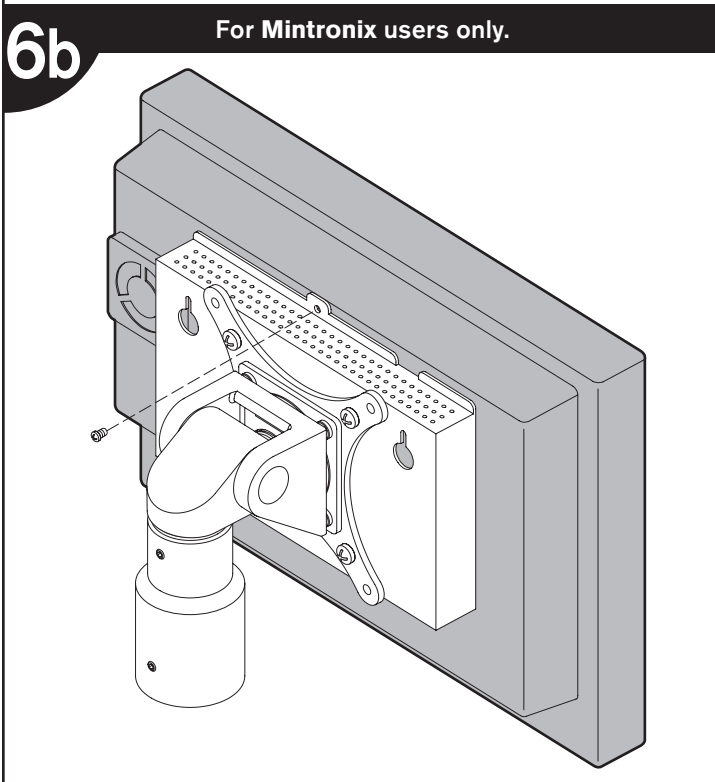
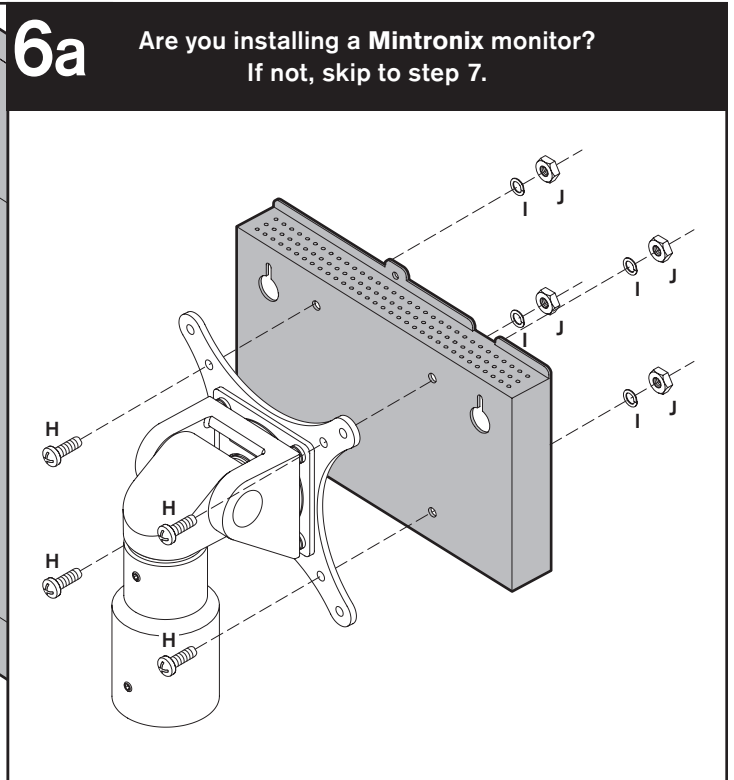
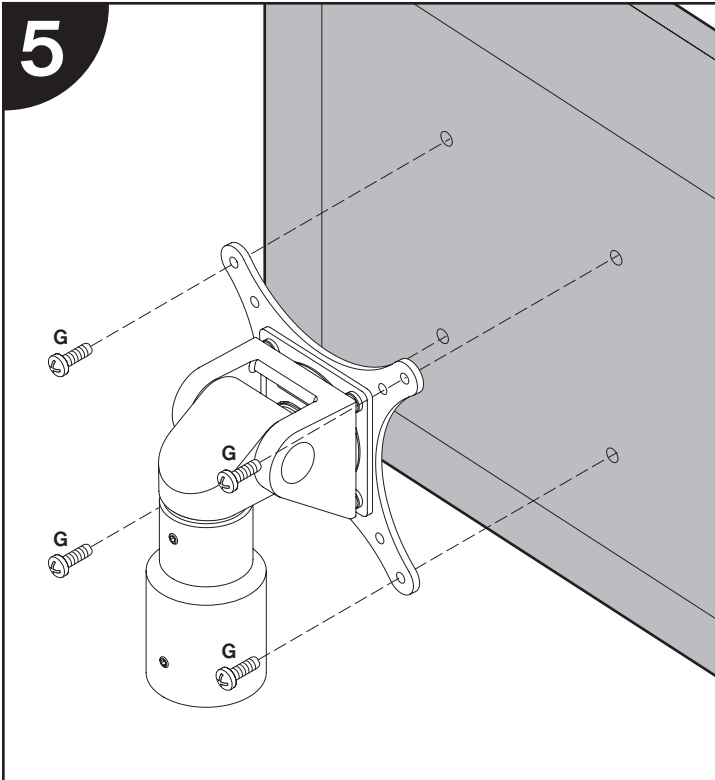
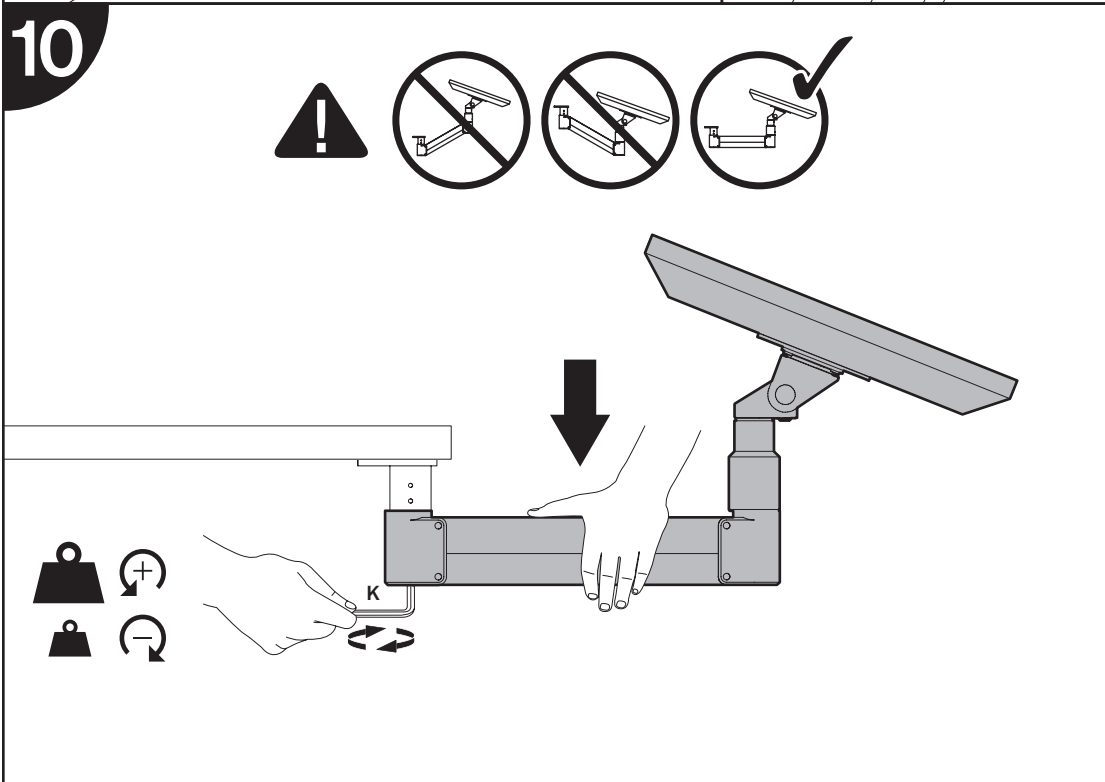
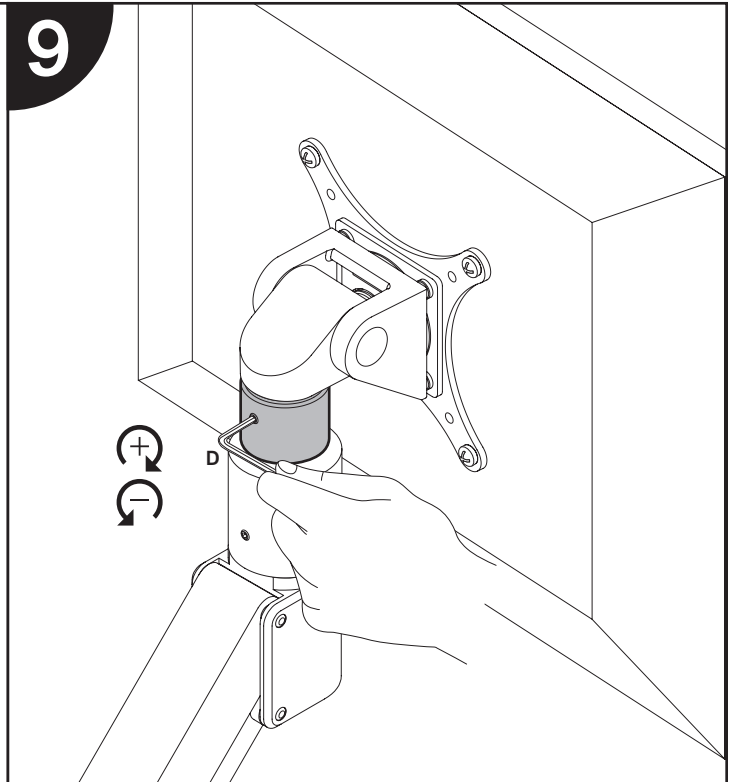
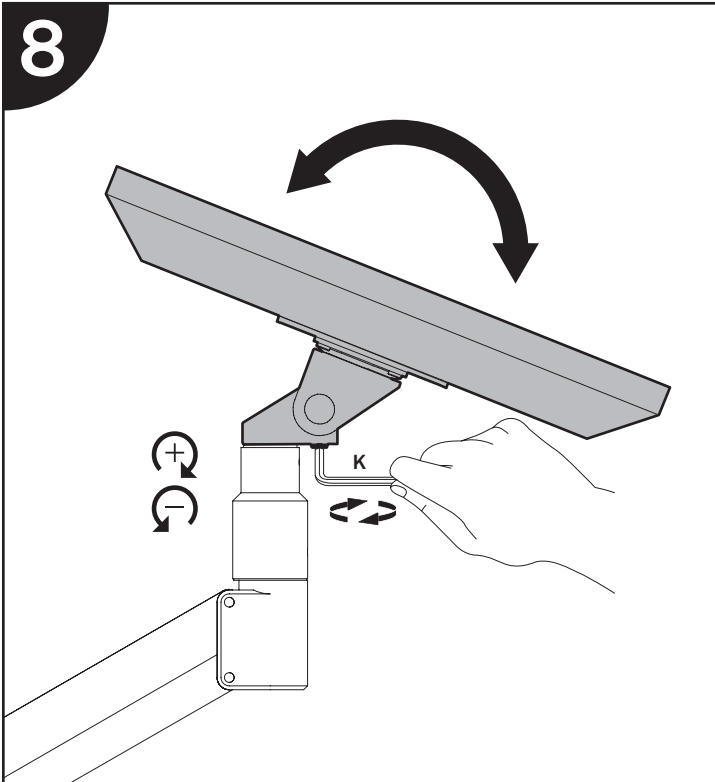


MODEL 7020

Installation Instructions

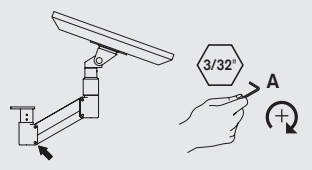




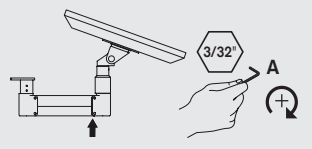


In some instances, further counterbalance adjustments are needed to allow the arm's instant height adjustment function to work properly.

If your arm is not staying in position after performing step 10, follow these steps:



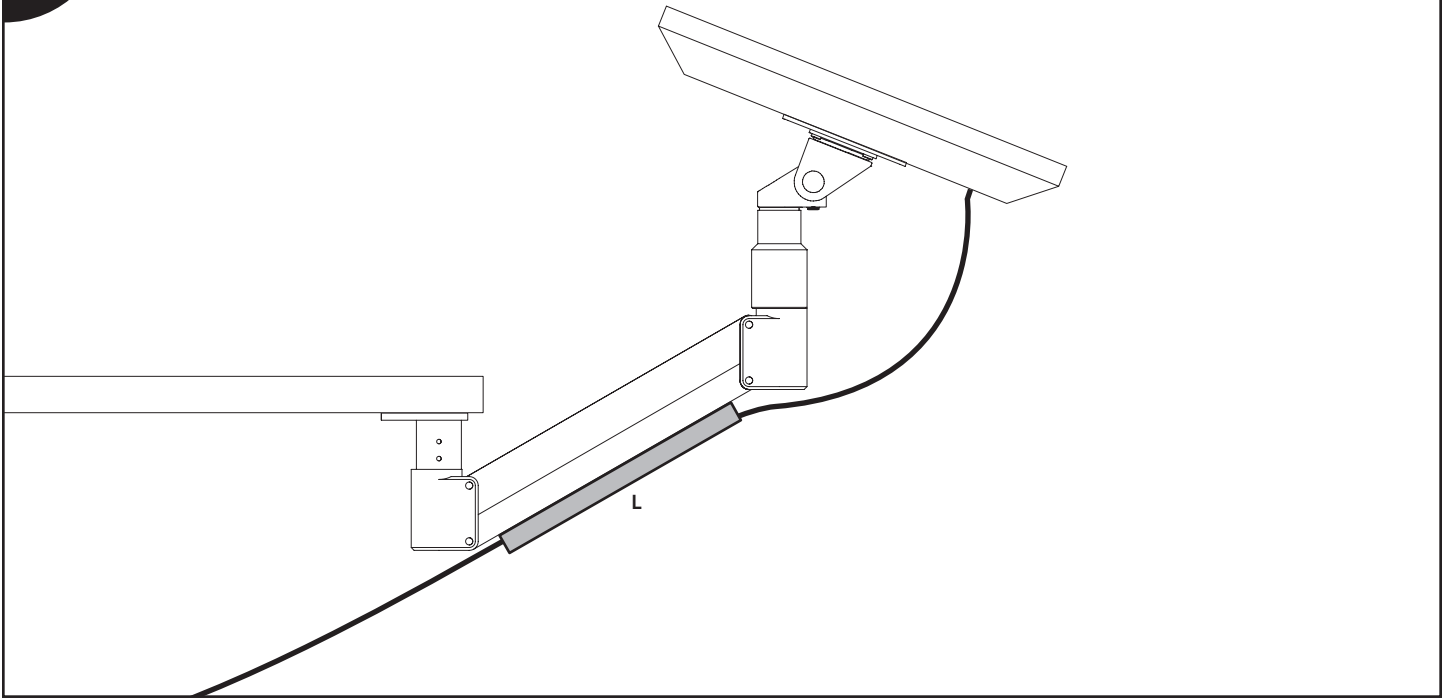
With arm in raised position, tighten set screw.



With arm in horizontal position, tighten set screw.


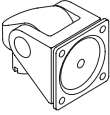


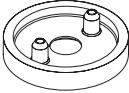

Do not over tighten screws.

11



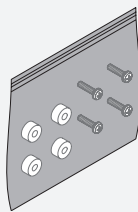
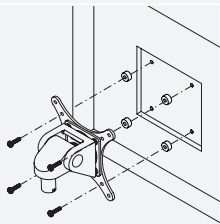
MODEL 7020

Parts List

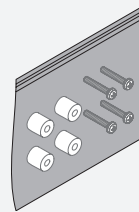
ITEM	DESCRIPTION / PART NO.	QUANTITY
A	 3/32" Allen Wrench 700146	1
B	 Monitor Tilter 405397	1
C	 75/100mm VESA® Adapter Plate 1 105587	1
D	 10-32 x 3/8" Phillips Pan Head Screw 1 702281 (4-pack)	1
E	 Dog Washer 105189	1
F	 10-32 x 3/8" FPHMS w/Lock Patch 1 705198	1

ITEM	DESCRIPTION / PART NO.	QUANTITY
G	 M4 x 12mm Phillips Pan Head Screw 1 702096 (4-pack)	1
H	 8-32 x 1/2 PPHMS 705289	4
I	 Split Washer 701910	4
J	 8-32 Nut 705290	4
K	 7/32" Allen Wrench 701127	1
L	 Cable Cap 106457-9.5	1

OPTIONAL SPACER KITS In some cases, the mounting surface on your monitor may be recessed further than permitted by VESA® standards. As a result, a spacer kit may be required.



.25" Spacer Hardware Kit
 (4) .25" Spacers
 (4) M4 x 18mm Phillips Pan Head Screws
 Order # P404923-B



.5" Spacer Hardware Kit
 (4) .5" Spacers
 (4) M4 x 25mm Phillips Pan Head Screws
 Order # P404923-C