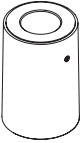
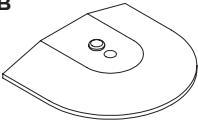
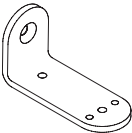
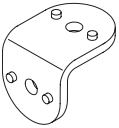
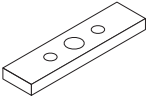
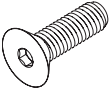


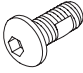
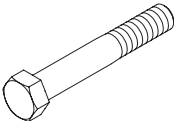
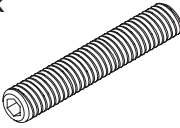
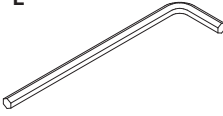

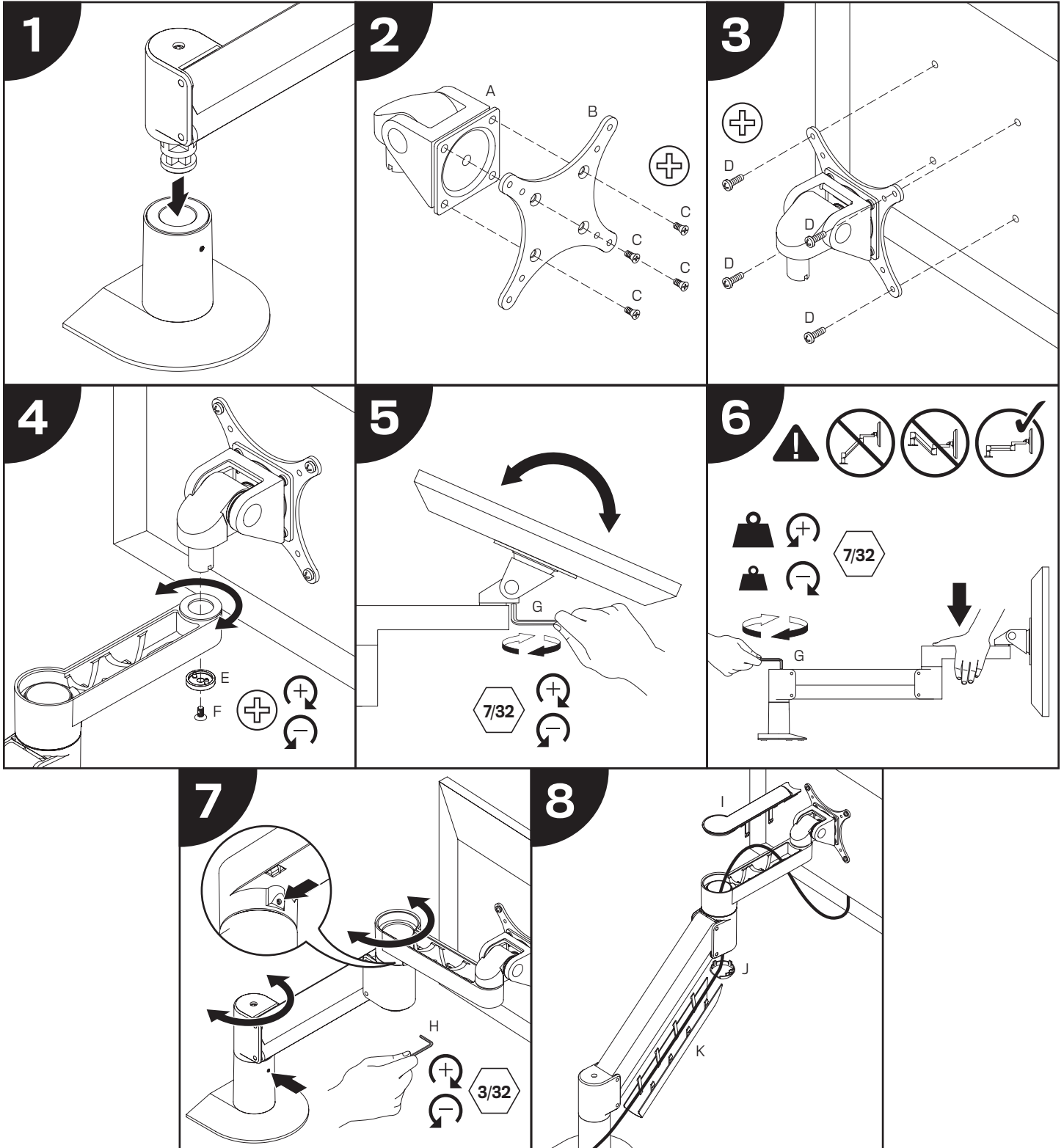


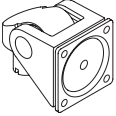


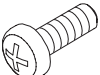
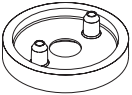
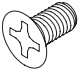
PARTS LIST

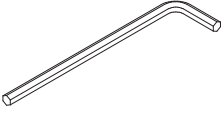

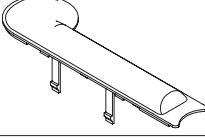
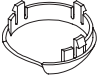
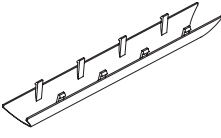
ITEM	DESCRIPTION / PART NO.	QUANTITY
A	 Mount Column 407602	1
B	 Base Plate 8321	1
C	 Large "L" Bracket 702828	1
D	 Small "L" Bracket 111728	1
E	 Rectangular Spacer 701544	1
F	 3/8-16 x 1-1/4" Flat Socket Cap Screw 701855	1
G	 3/8-16 x 1/2" BHSCS 702898	1

ITEM	DESCRIPTION / PART NO.	QUANTITY
H	 3/8-16 Nylon Stop Nut 701418	1
I	 3/8-16 x 7/8" Button Socket Cap Screw 701122	1
J	 3/8-16 x 2-1/2" Hex Head Bolt 700268	1
K	 1/2-13 x 3" Socket Set Screw 701126	1
L	 7/32" Allen Wrench 701127	1
M	 3/32" Allen Wrench 700146	1



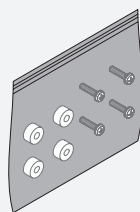
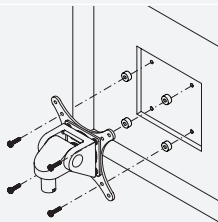
PARTS LIST

ITEM	DESCRIPTION / PART NO.	QUANTITY
A	 Spring-Assisted Monitor Tilter 407747	1
B	 75/100mm VESA Adapter Plate 105587	1
C	 10-32 x 3/8" Phillips Flat Head Screw 702281	1 (4-pack)
D	 M4 x 12mm Phillips Pan Head Screw 702096	1 (4-pack)
E	 Dog Washer 105189	1
F	 10-32 x 3/8" FPhMS w/Lock Patch 705198	1

ITEM	DESCRIPTION / PART NO.	QUANTITY
G	 7/32" Allen Wrench 701127	1
H	 3/32" Allen Wrench 700146	1
I	 Forearm Cap 111900	1
J	 Endcap Bumper 702829	1
K	 Cable Cap 109344	1

OPTIONAL SPACER KITS

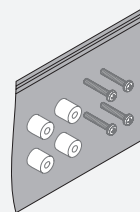
In some cases, the mounting surface on your monitor may be recessed further than permitted by VESA® standards. As a result, a spacer kit may be required.



.25" Spacer Hardware Kit

- (4) .25" Spacers
- (4) M4 x 18mm Phillips Pan Head Screws

Order # P404923-B



.5" Spacer Hardware Kit

- (4) .5" Spacers
- (4) M4 x 25mm Phillips Pan Head Screws

Order # P404923-C

How do I counterbalance my arm?

1

7/32

IMPORTANT!

- Monitor must be on arm
- Arm must be in mount

Press the arm down to **approximately parallel** with the desk prior to turning the strength adjustment screw.

If the arm **drifts upward**, turn the adjustment screw clockwise.

If the arm **drifts downward**, turn the adjustment screw counter-clockwise.

Depending on the weight of your monitor, **you may have to make 15-20 turns.**

2

3/32

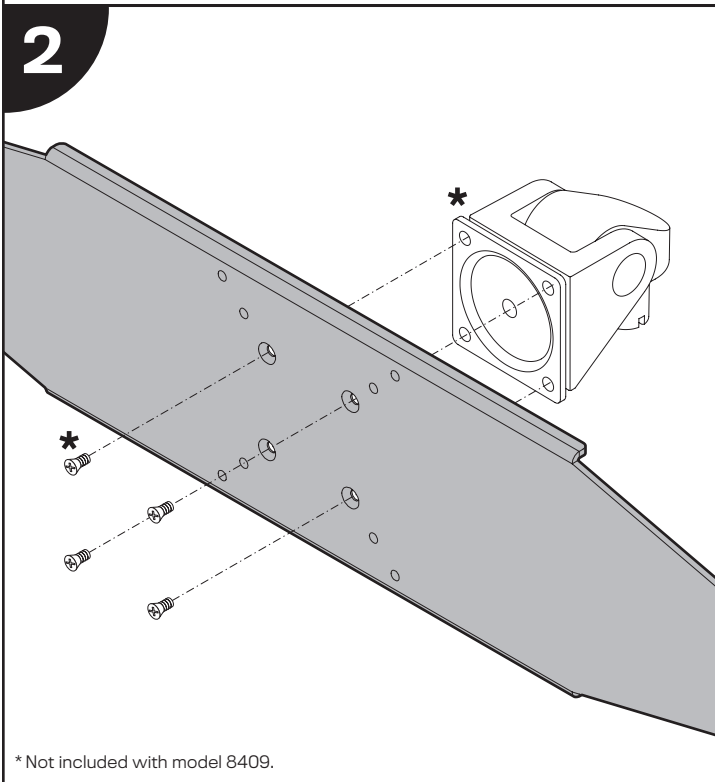
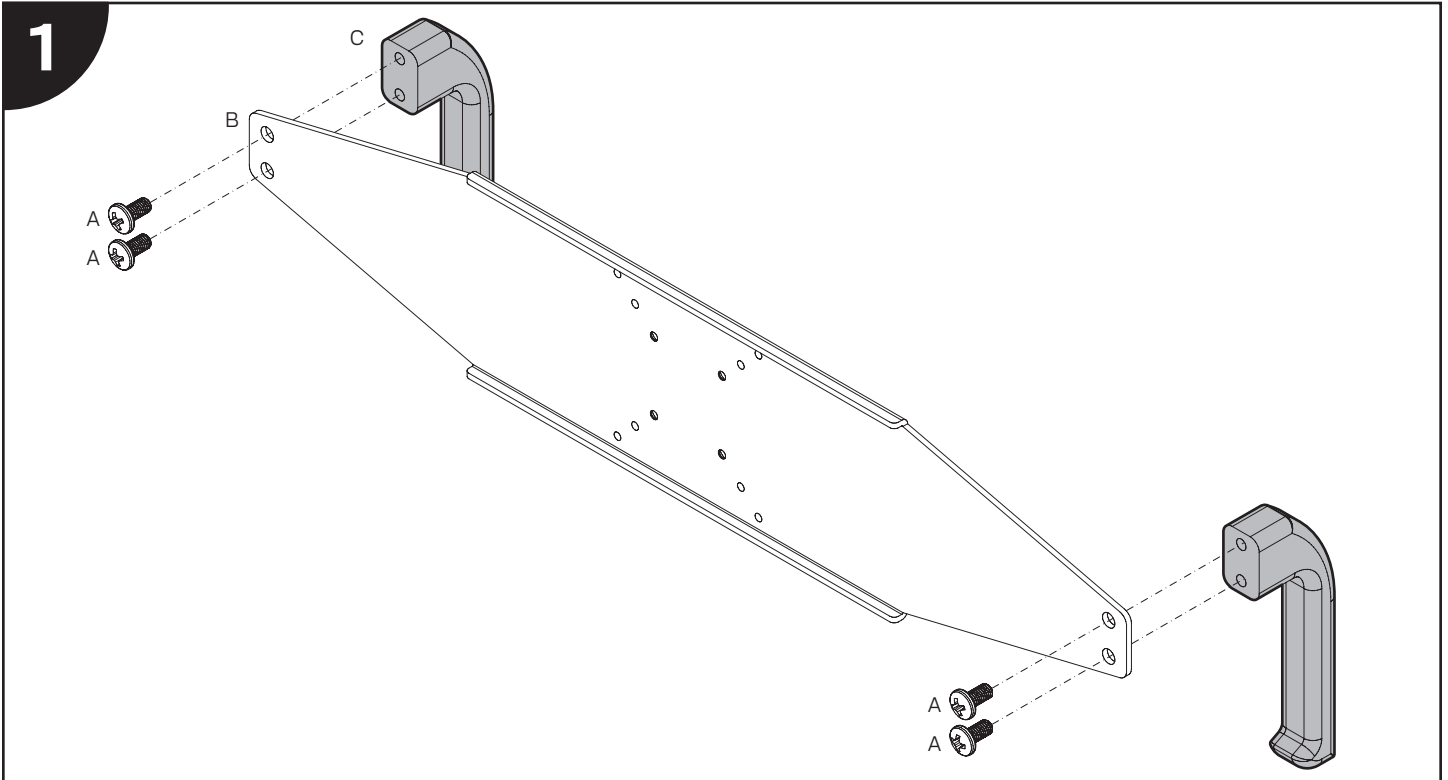
In some instances, further counterbalance adjustments are needed to allow the arm's instant height adjustment function to work properly.

If your arm is not staying in position after performing step 1, follow these steps:

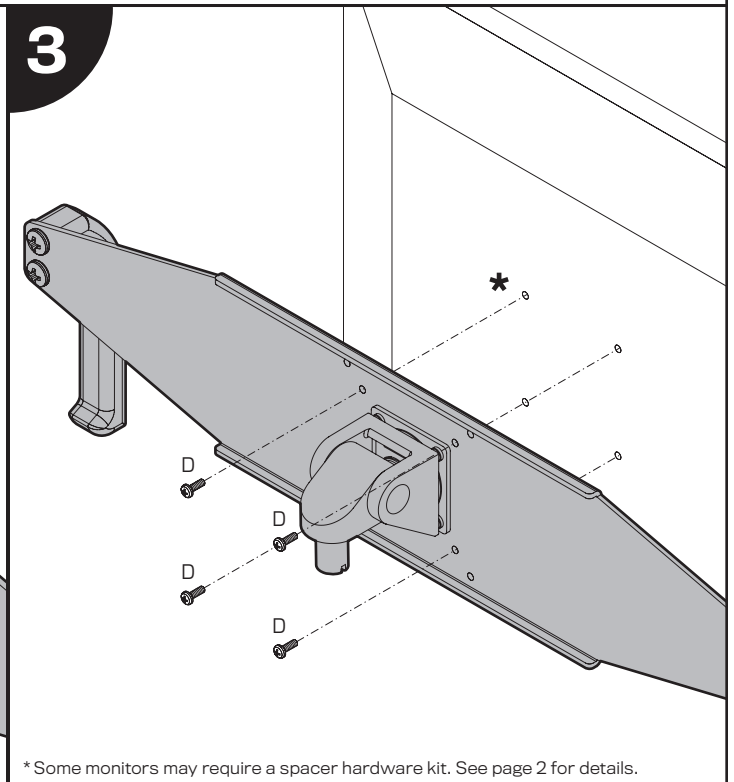
With arm in raised position, tighten set screw **(A)**.

With arm in horizontal position, tighten set screw **(B)**.

Do not over tighten screws.

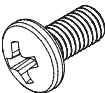
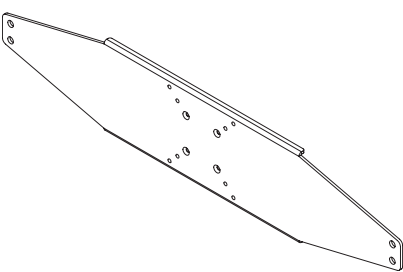
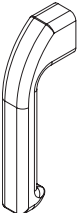



* Not included with model 8409.

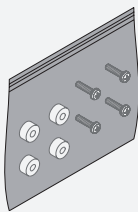
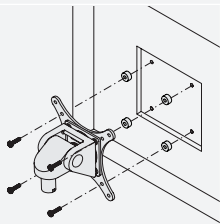


* Some monitors may require a spacer hardware kit. See page 2 for details.

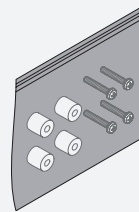
PARTS LIST

ITEM	DESCRIPTION / PART NO.	QUANTITY
A	M8-1.25 x 16mm Phillips Pan Head Screw 709214	4
		
B	Small Handle Set Monitor Plate 109075	1
		
C	Heavy Duty Aluminum Handle 704034	2
		
D	M4 x 12mm Phillips Pan Head Screw 702096	1 (4-pack)
		

OPTIONAL SPACER KITS In some cases, the mounting surface on your monitor may be recessed further than permitted by VESA® standards. As a result, a spacer kit may be required.



.25" Spacer Hardware Kit
 (4) .25" Spacers
 (4) M4 x 18mm Phillips Pan Head Screws
 Order # P404923-B



.5" Spacer Hardware Kit
 (4) .5" Spacers
 (4) M4 x 25mm Phillips Pan Head Screws
 Order # P404923-C