

8519 - SLIDERS

ACCESSORIES



HAT
DESIGN WORKS™
HUMAN ACTIVE TECHNOLOGY

ERGONOMIC MONITOR POSITIONING.

Improve monitor positioning in multi-monitor configurations with our 8519 sliders. When monitor arms are adjusted forward or backward, the slider seamlessly aligns monitors size-by-side. This allows the user to set the optimal viewing height and distance without limitations.

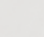
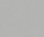



FEATURES

- **Flexible:** Ideal for positioning monitors of varying sizes side-by-side.
- **Rotate:** Allows for landscape/portrait monitor positioning.
- **Compatible:** For use with 7000 and Staxx series monitor mounts.

SPECIFICATIONS

Finishes

	Flat White 248
	Silver 124
	Vista Black 104

Dimensions

Adjustment range: 9" of adjustment from left to right.

Part Numbers

8519-___ Fixed VESA
8519-QR-___ QR VESA



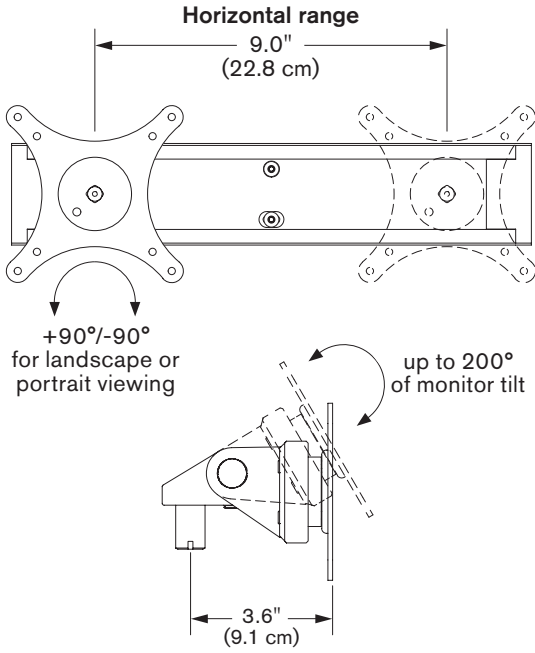
Sliders on Dual 7000

WARRANTY

10 Years

CAPABILITIES

8519



8519-QR

