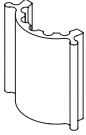
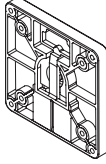

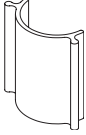
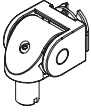

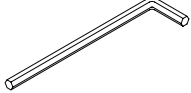
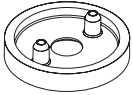
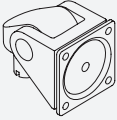
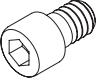

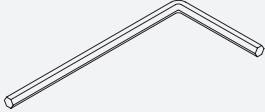
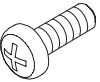

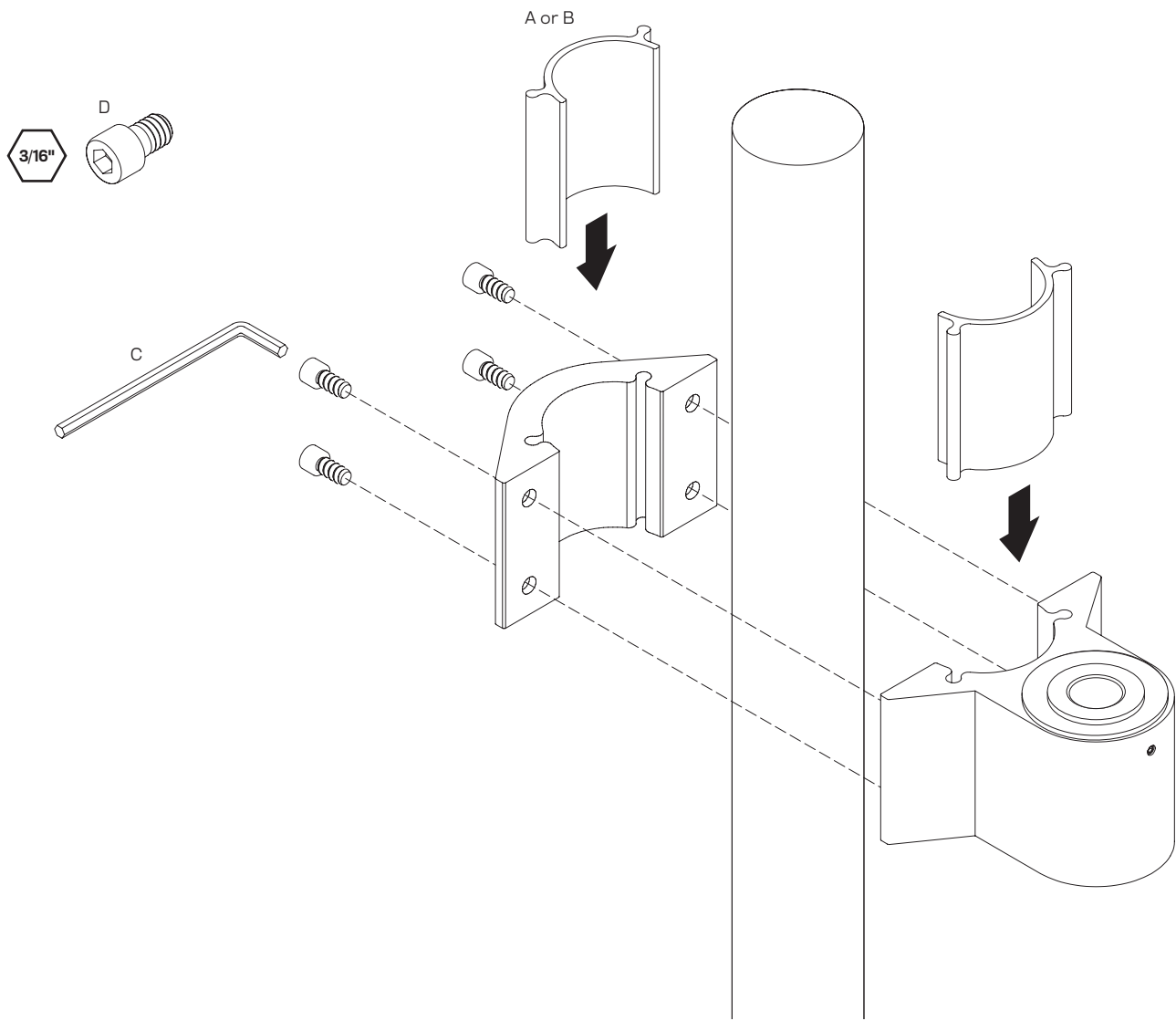




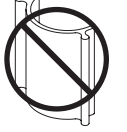


PARTS LIST

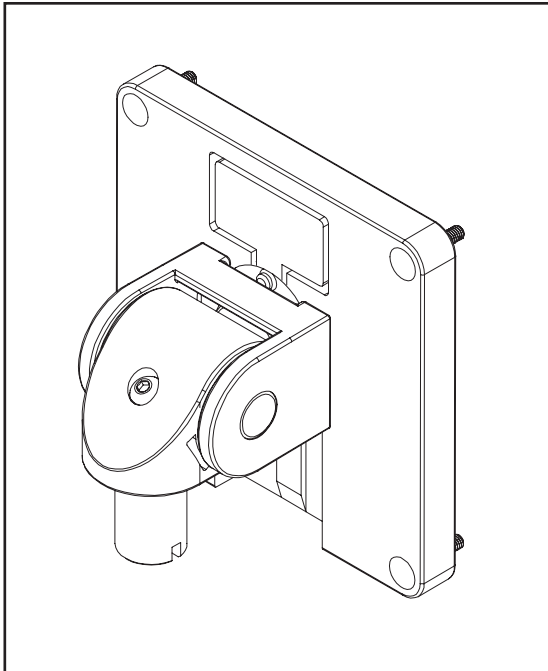
| | | |
|---|--|---|
| <p>A Bushing for 1.5" Pole 2x 102658</p>  | <p>F Quick Connect VESA Plate 1x 114808</p>  | <p>K* 10-32 x 3/8" PhPHS (4-pack) 1x 702281</p>  |
| <p>B Bushing for 1.75" Pole 2x 103106</p>  | <p>G Monitor Tilter 1x 8500 Tilter</p>  | <p>L* 75/100mm VESA Adapter 1x 105587</p>  |
| <p>C 3/16" Allen Wrench 1x 701311</p>  | <p>H Dog Washer 1x 105189</p>  | <p>M* Monitor Tilter 1x 405397</p>  |
| <p>D 1/4-20 x 1/2" Screw 4x 701915</p>  | <p>I 10-32 x 3/8" FPhMS w/Lock Patch 1x 705198</p>  | <p>O* 7/32" Allen Wrench 1x 701127</p>  |
| <p>E M4 x 12mm Phillips Pan Head Screw (4-pack) 1x 702096</p>  | <p>J 1/8" Allen Wrench 1x 701312</p>  | |

1

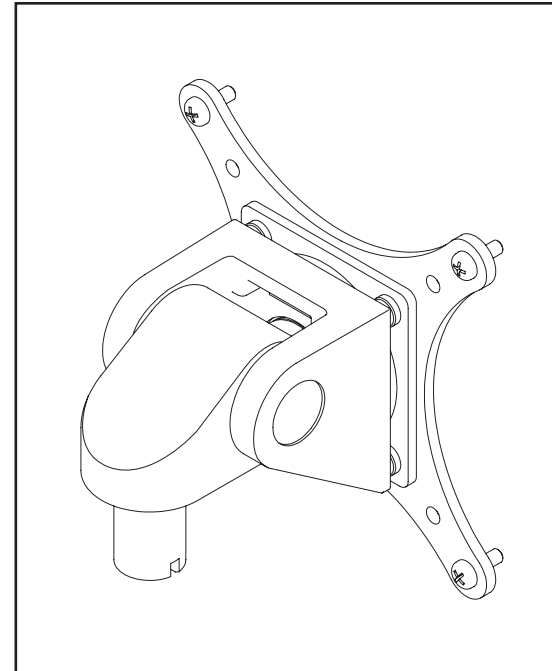


| | |
|---|---|
|  |  |
| 1.5" |  |
| 1.75" |  |
| 2.0" |  |

WHICH MONITOR TILTER ARE YOU INSTALLING?



**STEPS
2 - 4**



**STEPS
5 - 7**

(optional tilter, sold separately)

