

9190

POINT-OF-SALE



HAT
DESIGN WORKS™
HUMAN ACTIVE TECHNOLOGY

DURABLE, AESTHETIC, CUSTOMIZABLE.

The 9190 POS countertop mount is ideal for retail environments requiring a durable mount for monitors, signature capture devices, and more.



FEATURES

- **Versatile:** Countertop mount supports monitors, signature capture devices, kiosks, and more.
- **Flexible:** Users are able to pivot and turn the monitor; the monitor can also be locked into place if desired.
- **Cable Management:** Monitor mount features internal cable routing; cables may pass through counter or exit behind mount.
- **Durable:** POS display mount is made of durable construction and stands up to retail use.
- **Compatible:** VESA-monitor compatible – 75mm & 100mm VESA adapter included.

SPECIFICATIONS

Finishes

■ Vista Black
104

Dimensions

Weight Capacity: Up to 25 lbs.
Mount: Bolts to surface

Part Numbers

9190-___

WARRANTY

10 Years

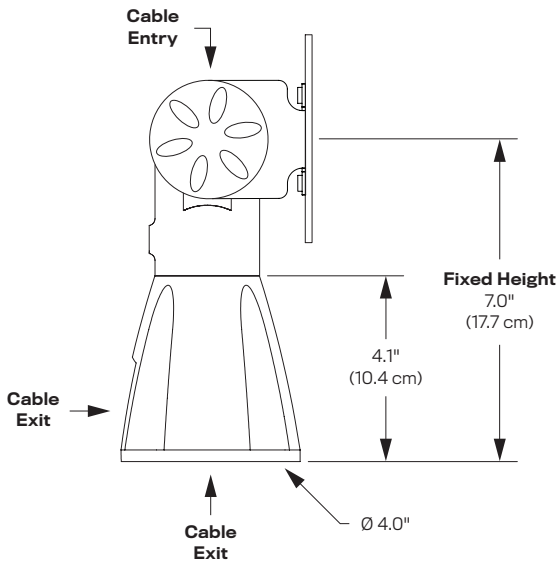


Adjustable display angle



Cables are routed internally and can exit above or below surface

CAPABILITIES



Bolt Pattern

