

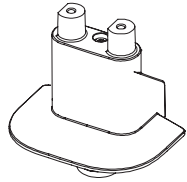
27"
MAX


2.2-20lbs
RATED

Human Active Technology
800 524 2744
customerservice@team-hat.com
team-hat.com

PARTS LIST

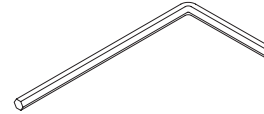
A Dual Top Down Mount 1x
8540



F 10-32 x 3/8" FPHMS w/Lock Patch 2x
705198



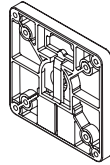
K 7/32" Allen Wrench 1x
701127



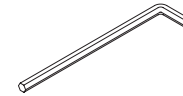
B 6-inch Post 2x
415981



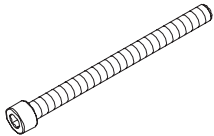
G Quick Connect VESA Plate 2x
114808



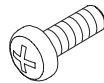
L 4mm Allen Wrench 1x
709877



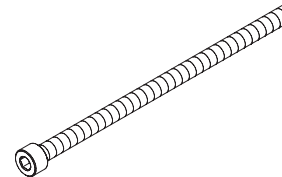
C M8-1.25 x 100mm Socket Head Cap Screw 2x
716368



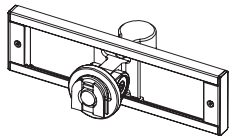
H M4 x 12mm Phillips Pan Head Screw 8x
701153



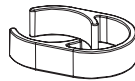
M* M8 x 140mm SCHS 1x
716280



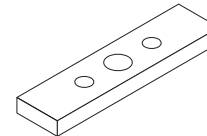
D 9-inch Beam Assembly 2x
416088



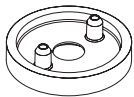
I Cable Management Clip 2x
116025



N* Spacer 1x
701544



E Dog Washer 2x
105189



J 3/32" Allen Wrench 1x
700146

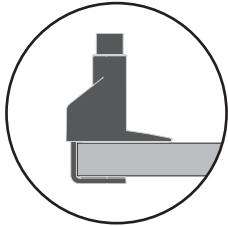


O* Lock Nut 1x
710015

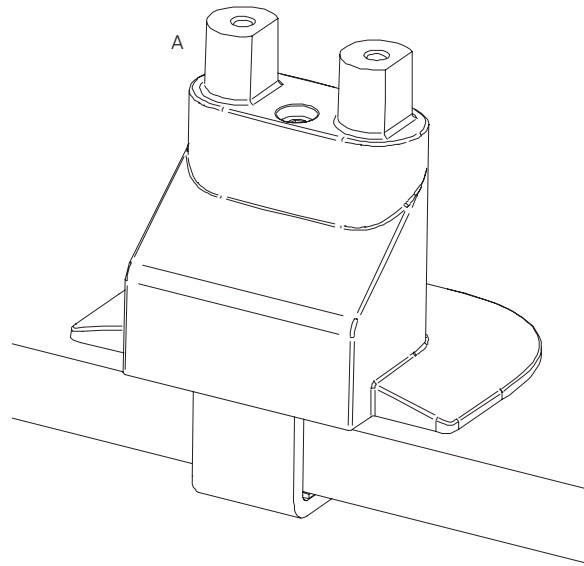


DESK CLAMP CONFIGURATION

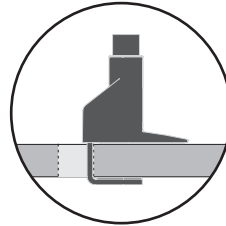
1



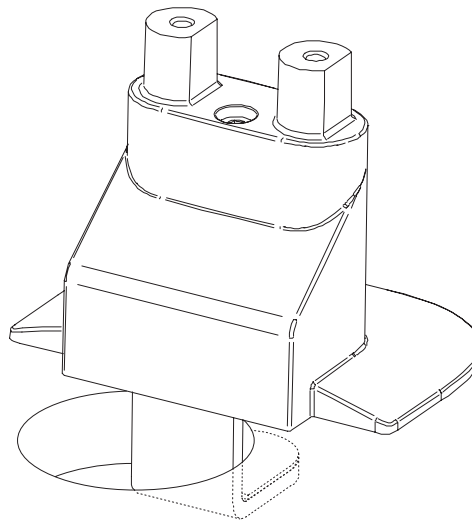
Desk thickness
up to 1.5" (3.8 cm)



OR

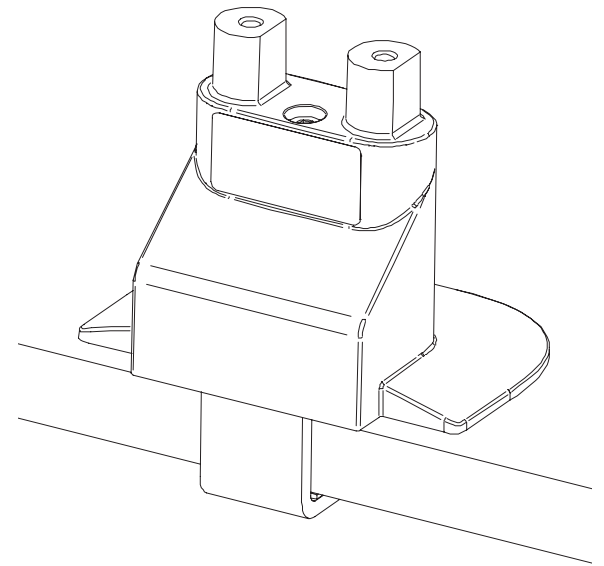
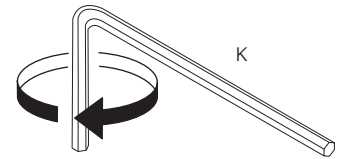


Desk thickness
up to 1.5" (3.8 cm)



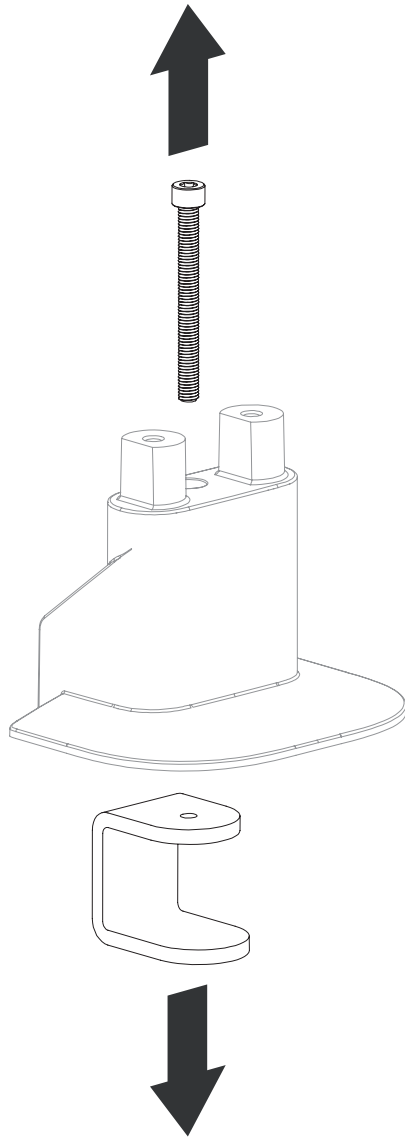
2

$\frac{7}{32}$ " Tighten to
60 in-lbs
minimum

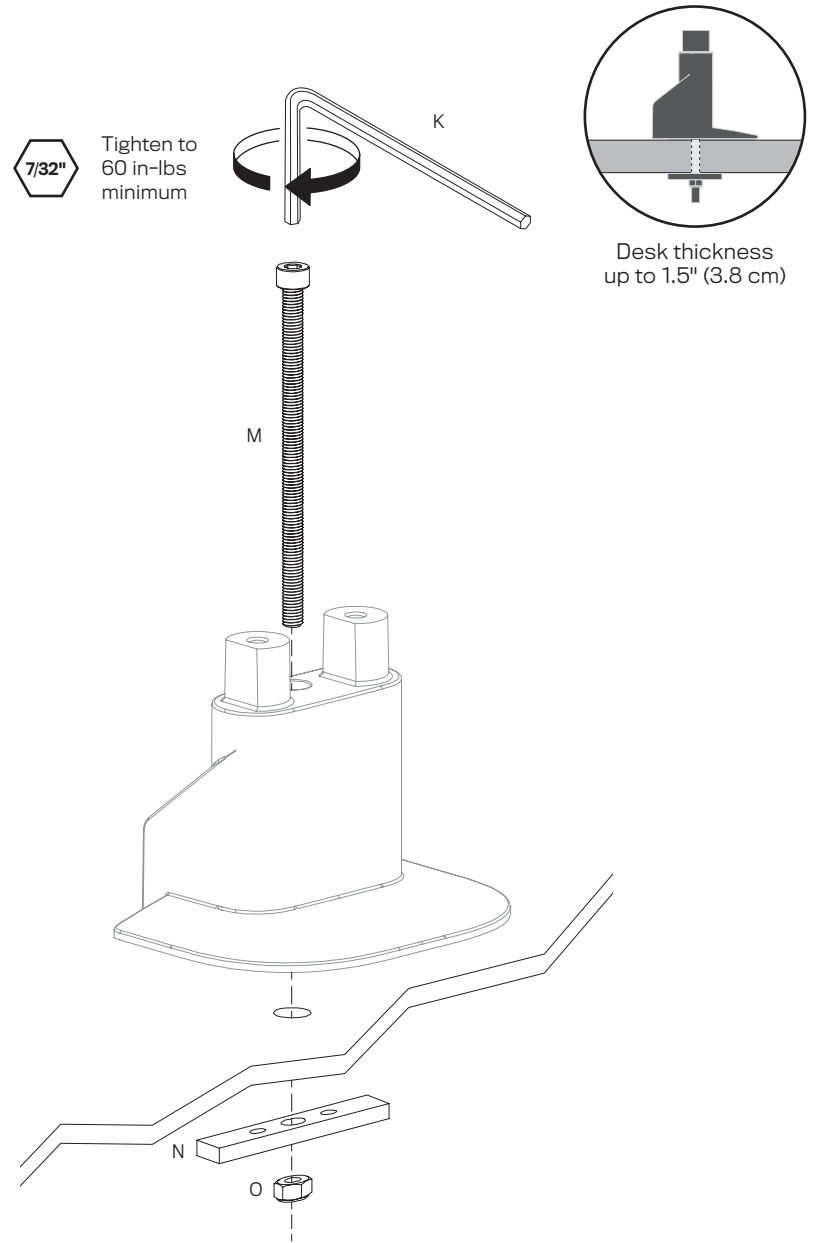


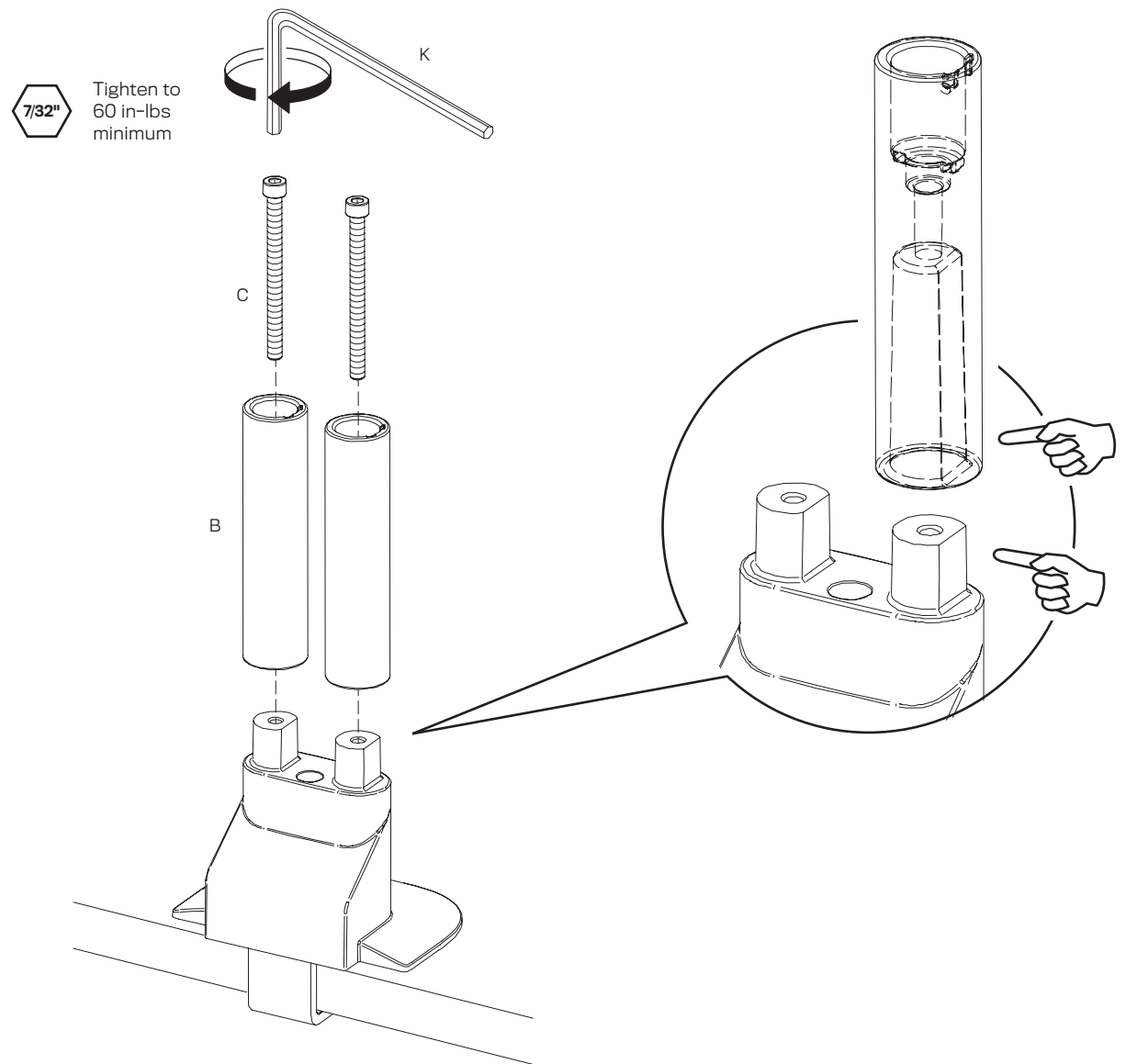
OPTIONAL THRU-DESK CONFIGURATION

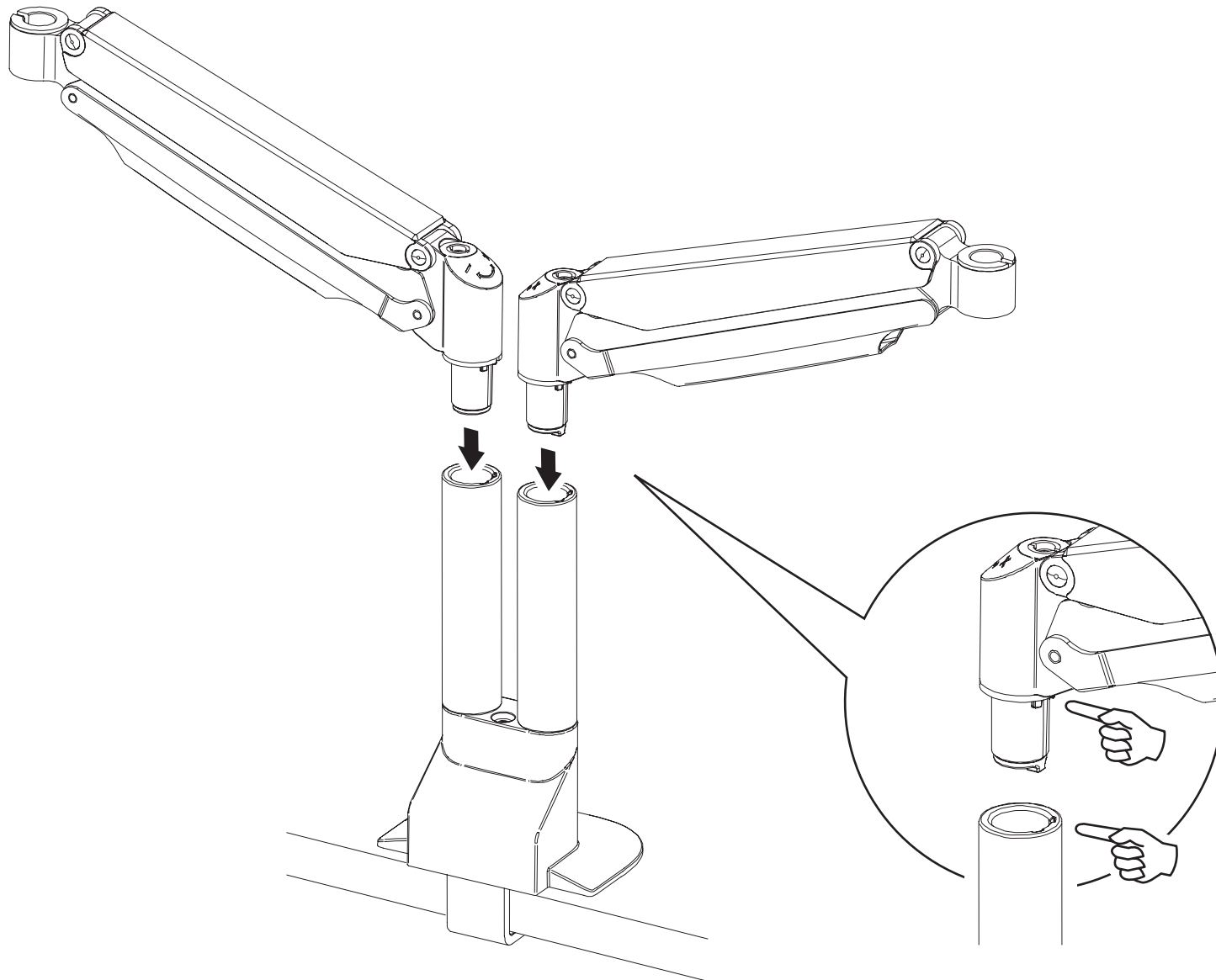
3



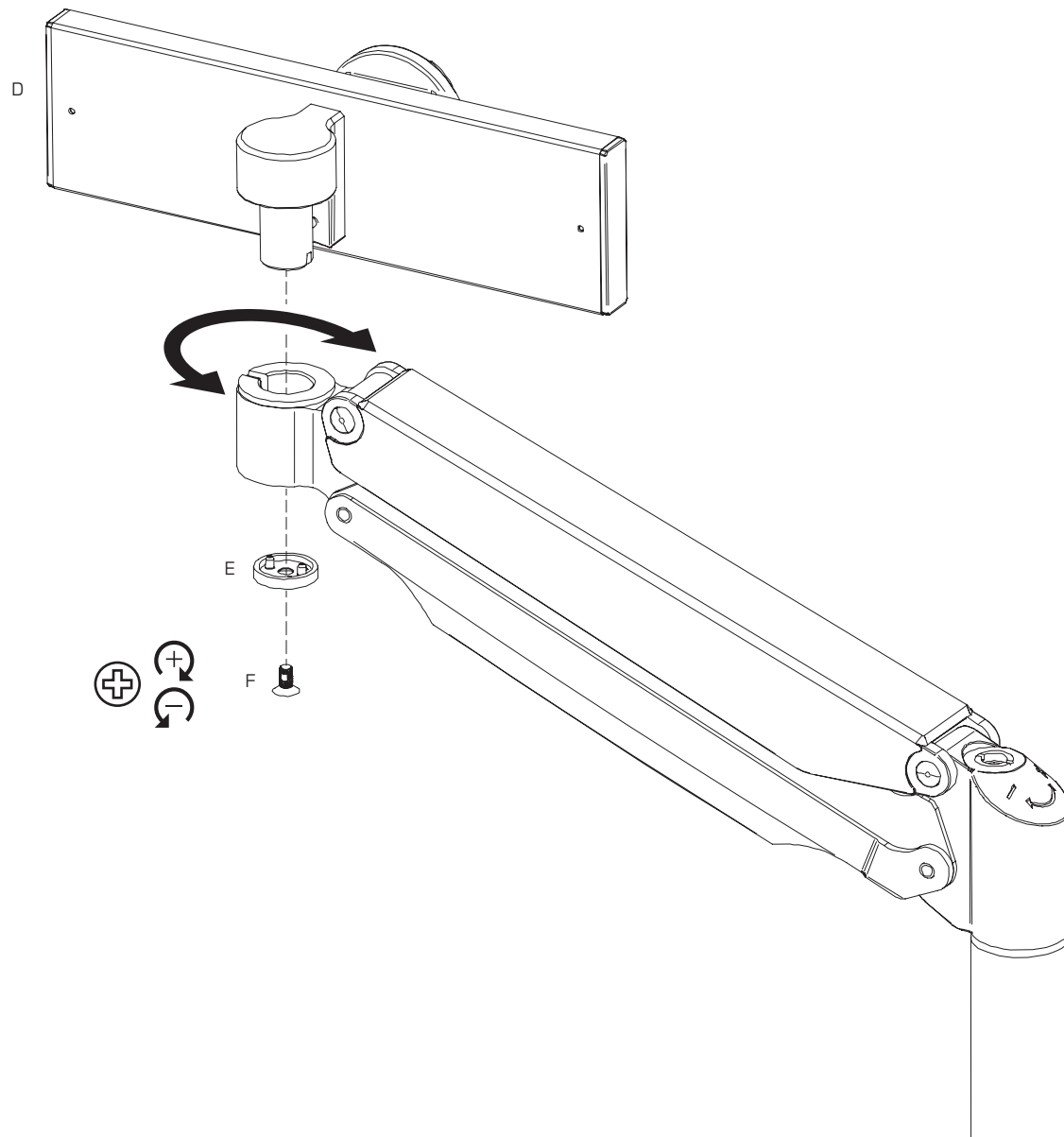
4

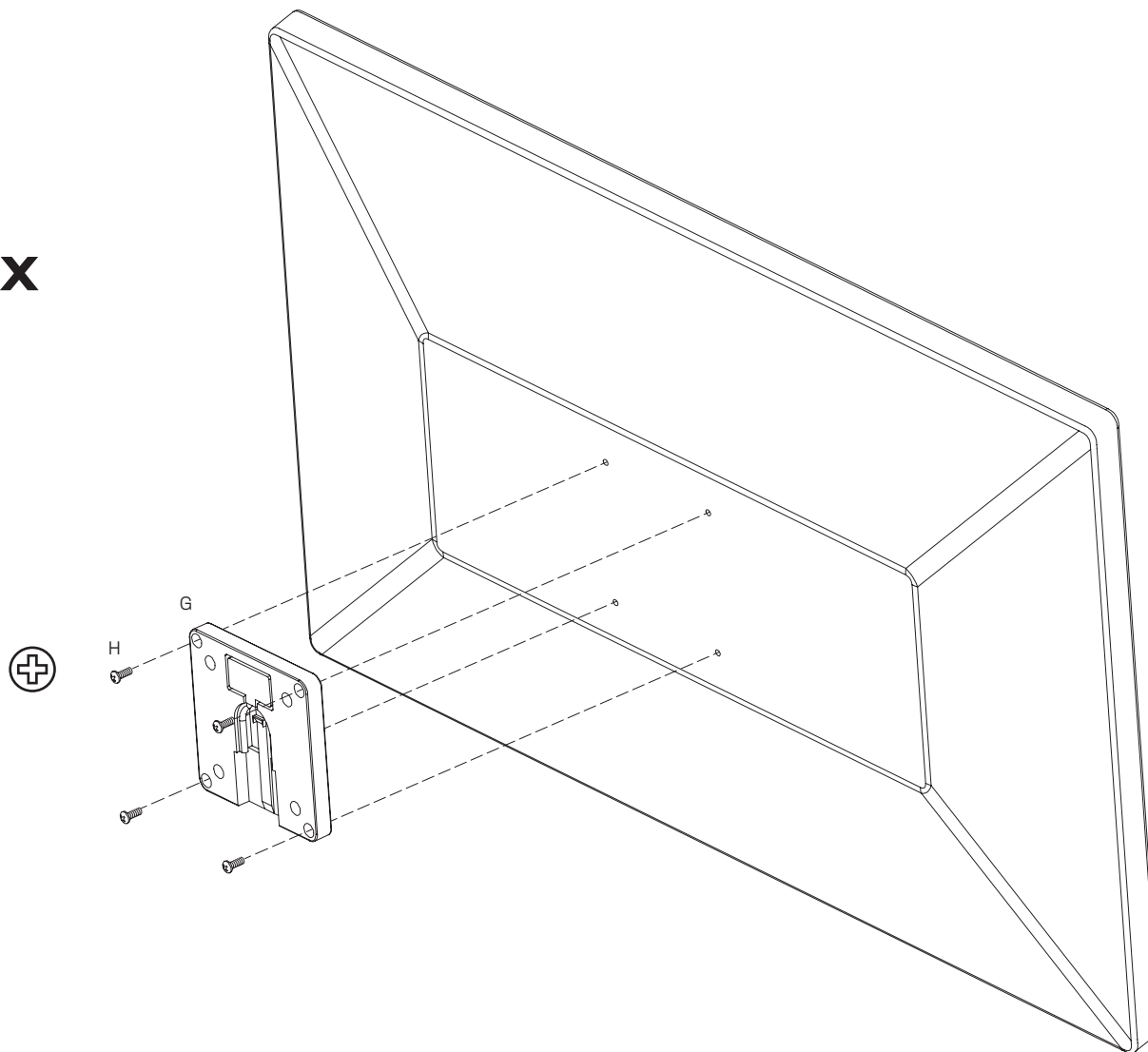






2x



2x

2x

