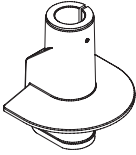
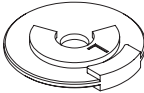




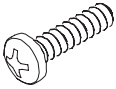

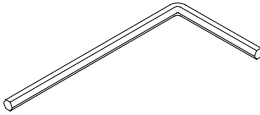
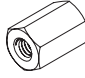

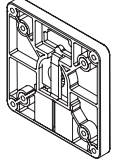

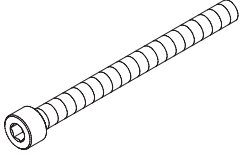
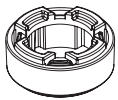
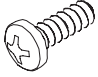
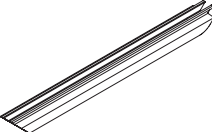
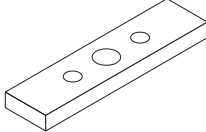
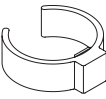
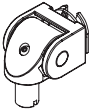
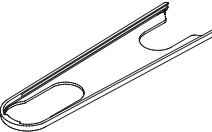

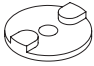
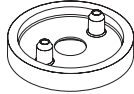

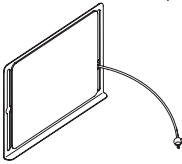
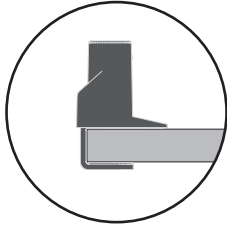


# PARTS LIST

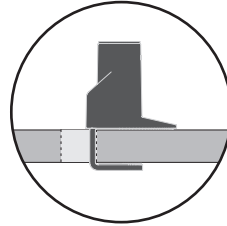
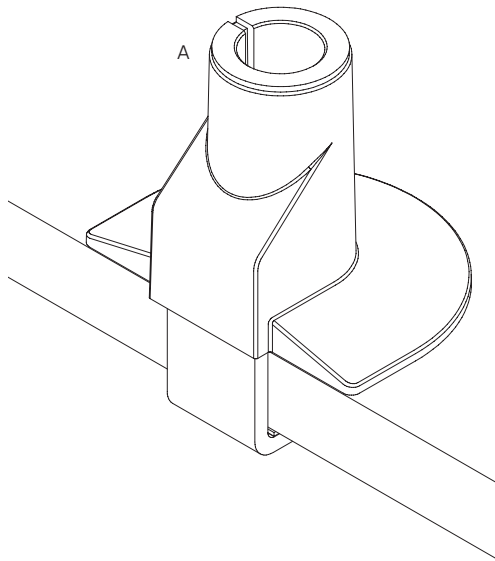
<p>A Top Down Mount 8524</p> 	<p>G Rotation Stop for Articulating Arms 113705</p> 	<p>M 10-32 x 3/8" FPhMS w/Lock Patch 705198</p> 	<p>S 3/32" Allen Wrench 700146</p> 	<p>Y** Split Washer 701910</p> 
<p>B Dimpled Pole 110607-14</p> 	<p>H M6 x 1mm Phillips Pan Head Screw 105304</p> 	<p>N Pole Cap 105195</p> 	<p>T 7/32" Allen Wrench 701127</p> 	<p>Z** Coupling Nut 716187</p> 
<p>C Stackable Mount 413054</p> 	<p>I Quick Connect VESA Plate 114808</p> 	<p>O Cable Clip 104533</p> 	<p>U* M8 x 95mm SCHS 716061</p> 	
<p>D Pole Collar 113332</p> 	<p>J M4 x 12mm Phillips Pan Head Screw 701153</p> 	<p>P Cable Cap 102043-5.125 (3500 arms) 114810 (7000 arms)</p> 	<p>V* Spacer 701544</p> 	
<p>E Pole Clip 113449</p> 	<p>K Monitor Tilter 8500 Tilter</p> 	<p>Q Forearm Cable Cap 115584</p> 	<p>W* Lock Nut 710015</p> 	
<p>F Dog Washer for Articulating Arms 113704</p> 	<p>L Dog Washer 105189</p> 	<p>R 1/8" Allen Wrench 701312</p> 	<p>X** Laptop Holder 8510</p> 	

# DESK CLAMP CONFIGURATION

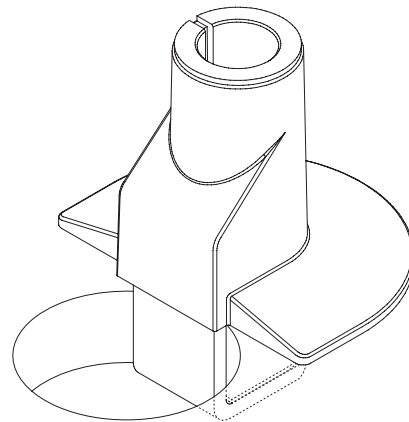
1



Desk thickness  
up to 1.5" (3.8 cm)

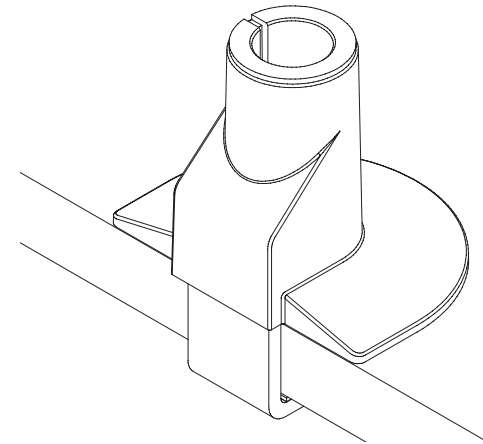
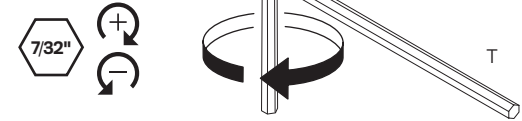


Desk thickness  
up to 1.5" (3.8 cm)



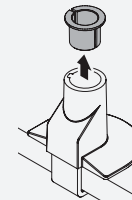
OR

2

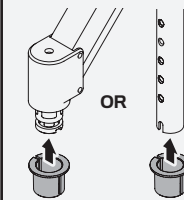


**i** If the monitor arm or pole does not easily fit into the mount, remove the bushing from the mount and place it on the monitor arm or pole and press firmly back into the mount.

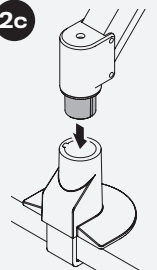
2a



2b

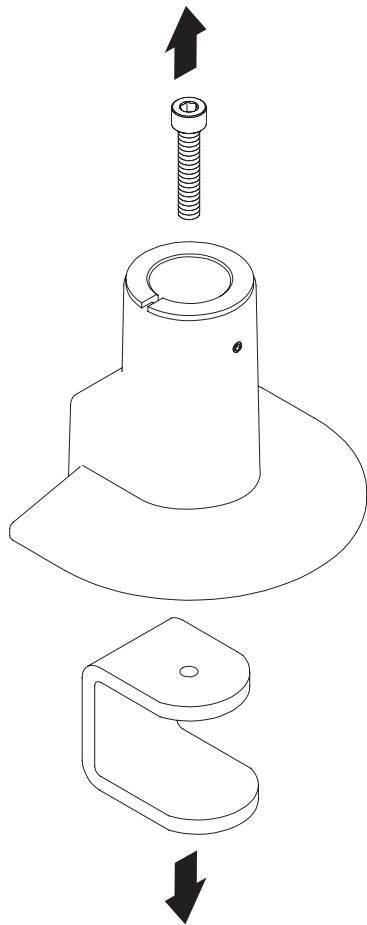


2c

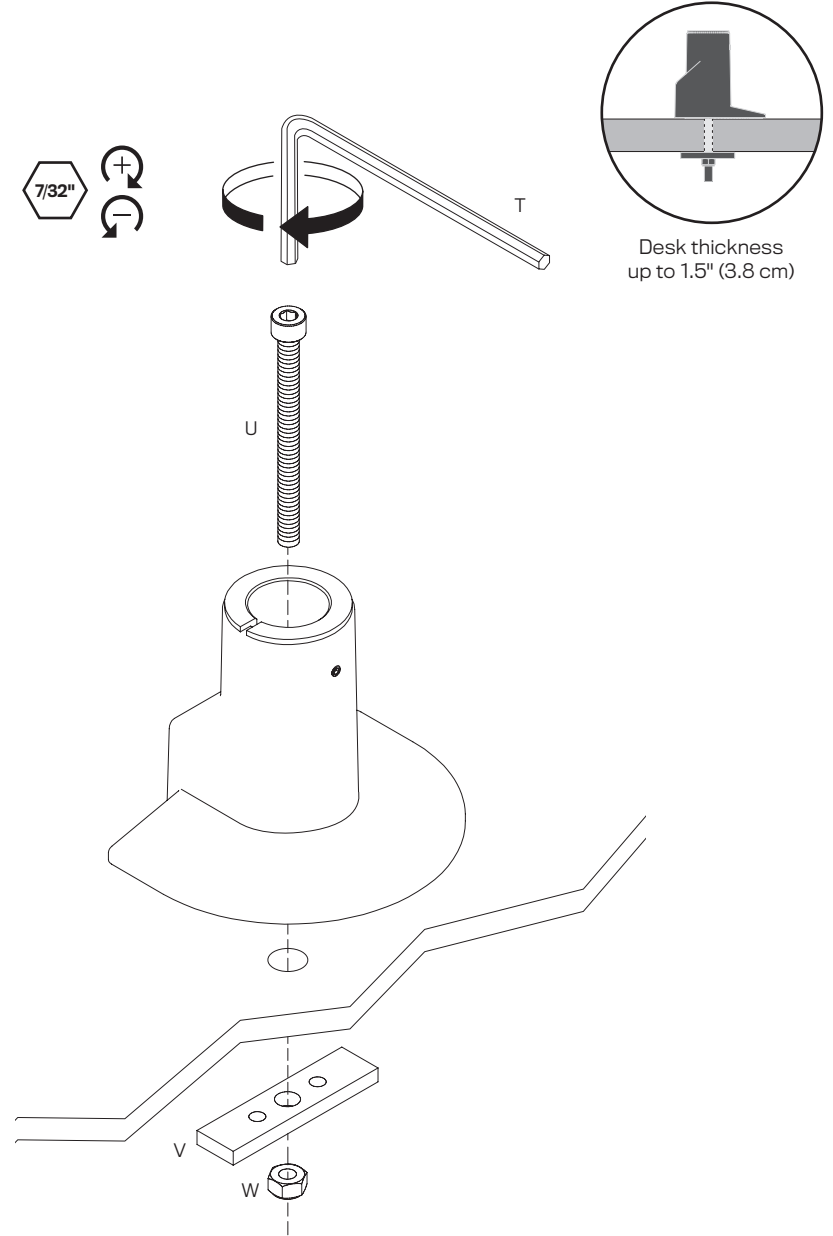


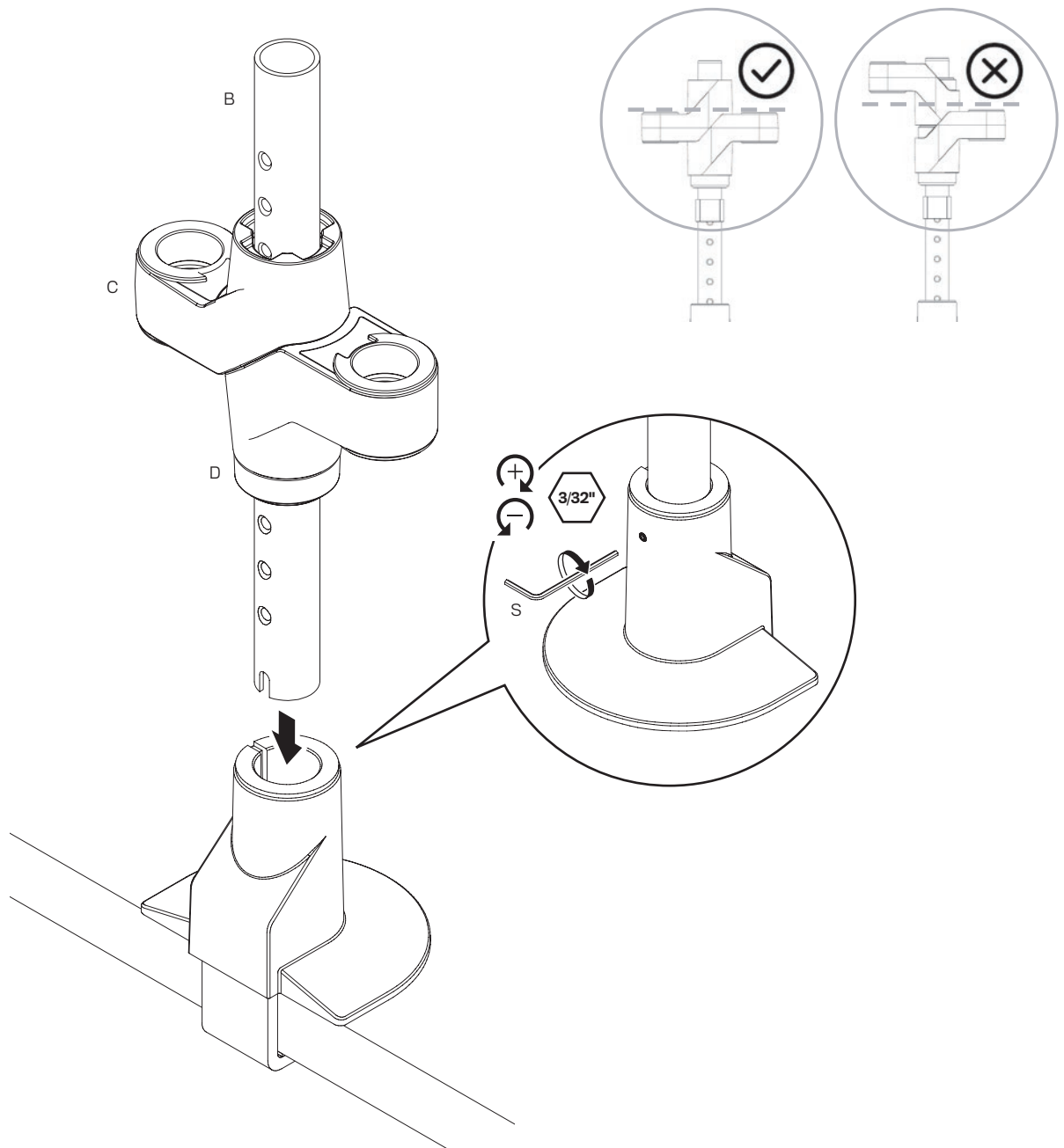
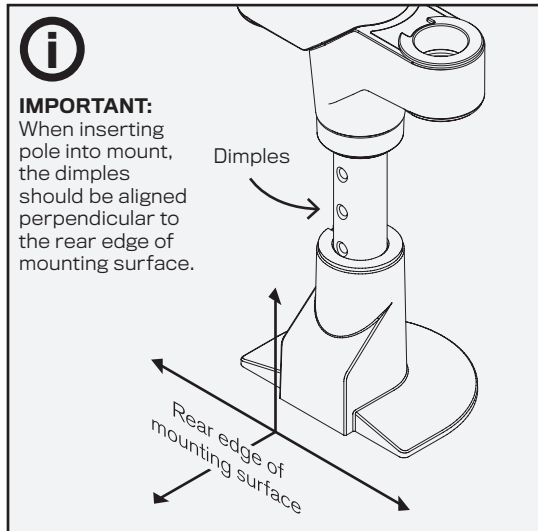
THRU-DESK CONFIGURATION\*

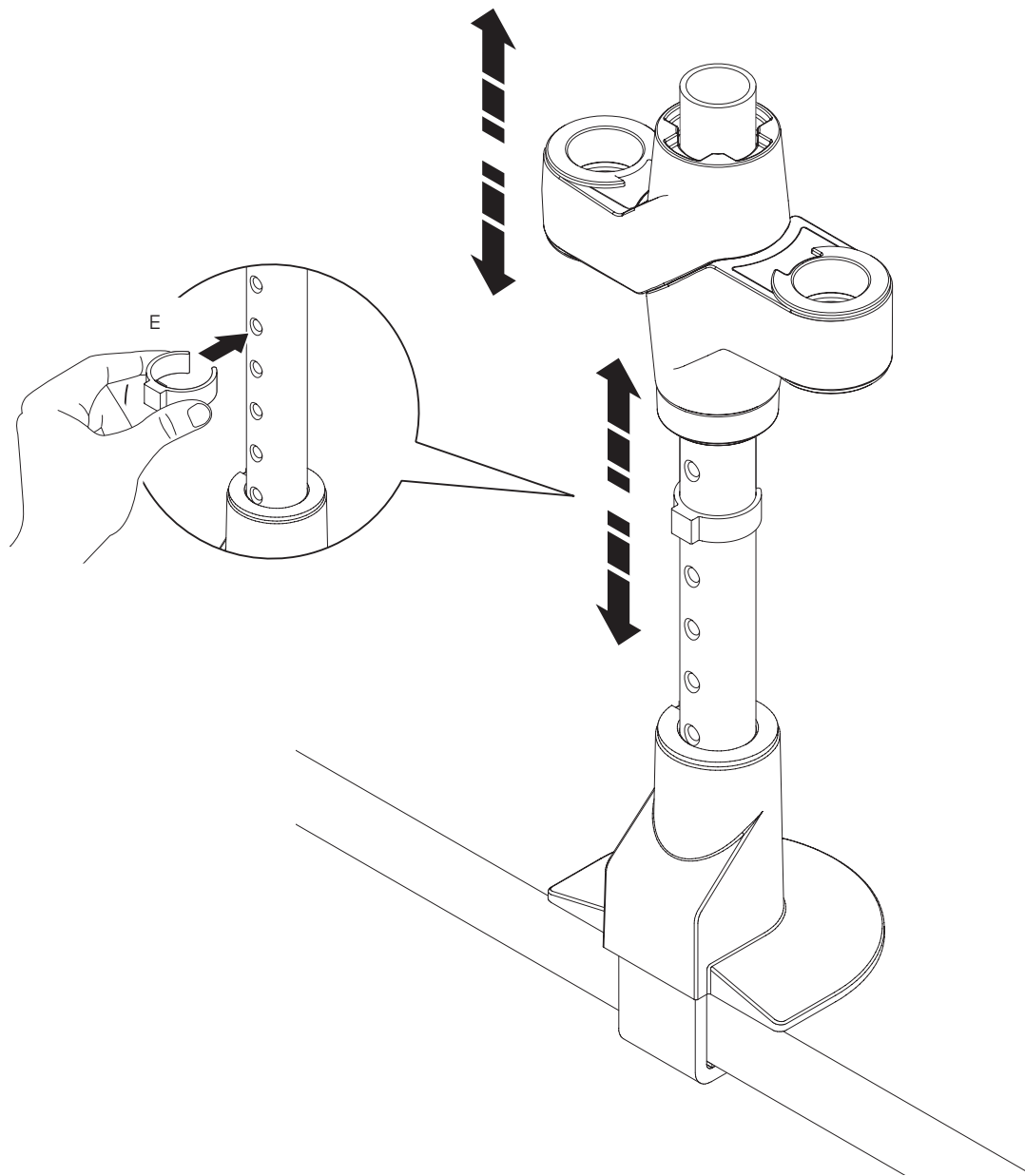
3

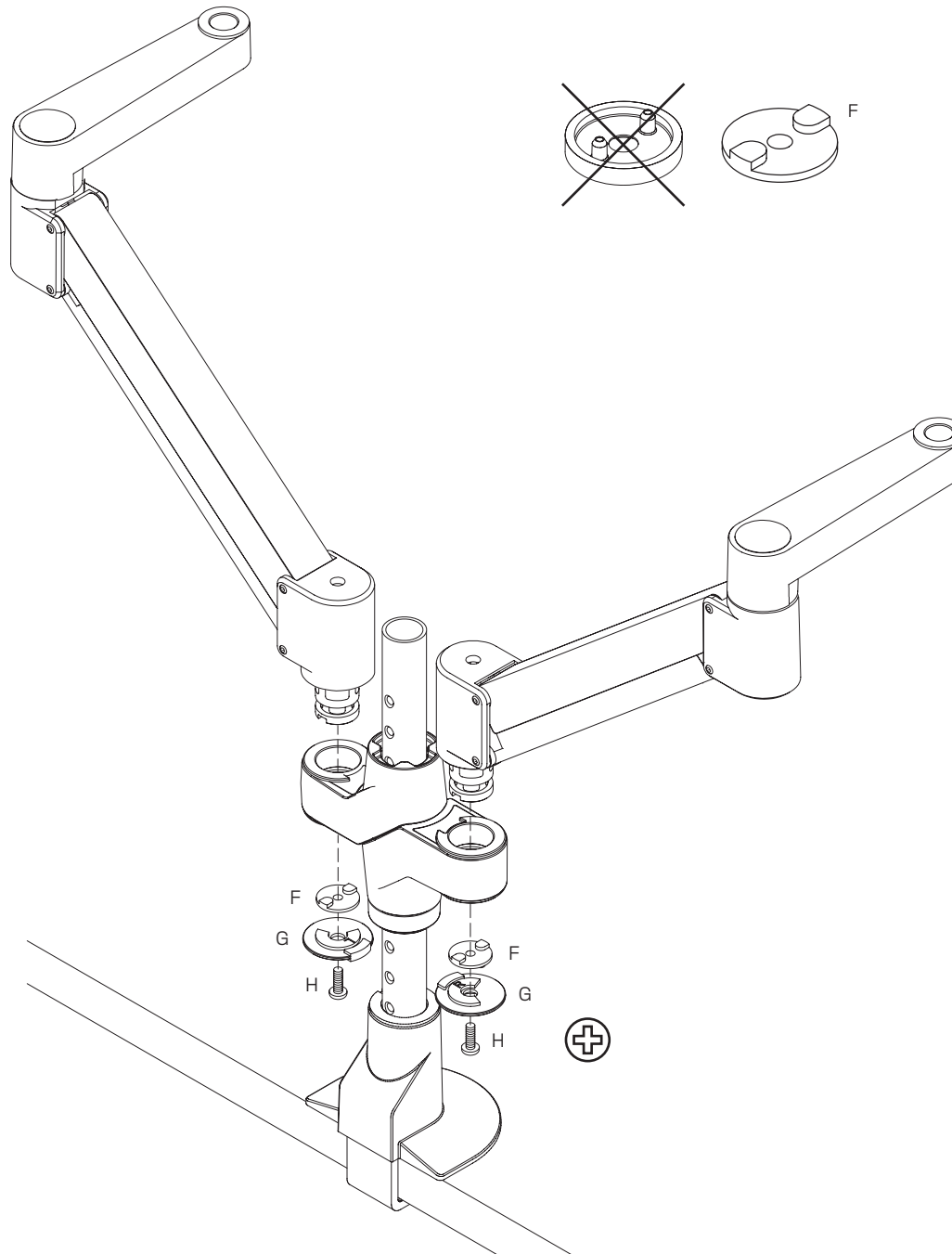
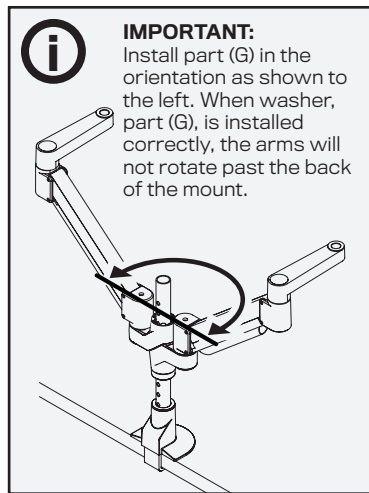


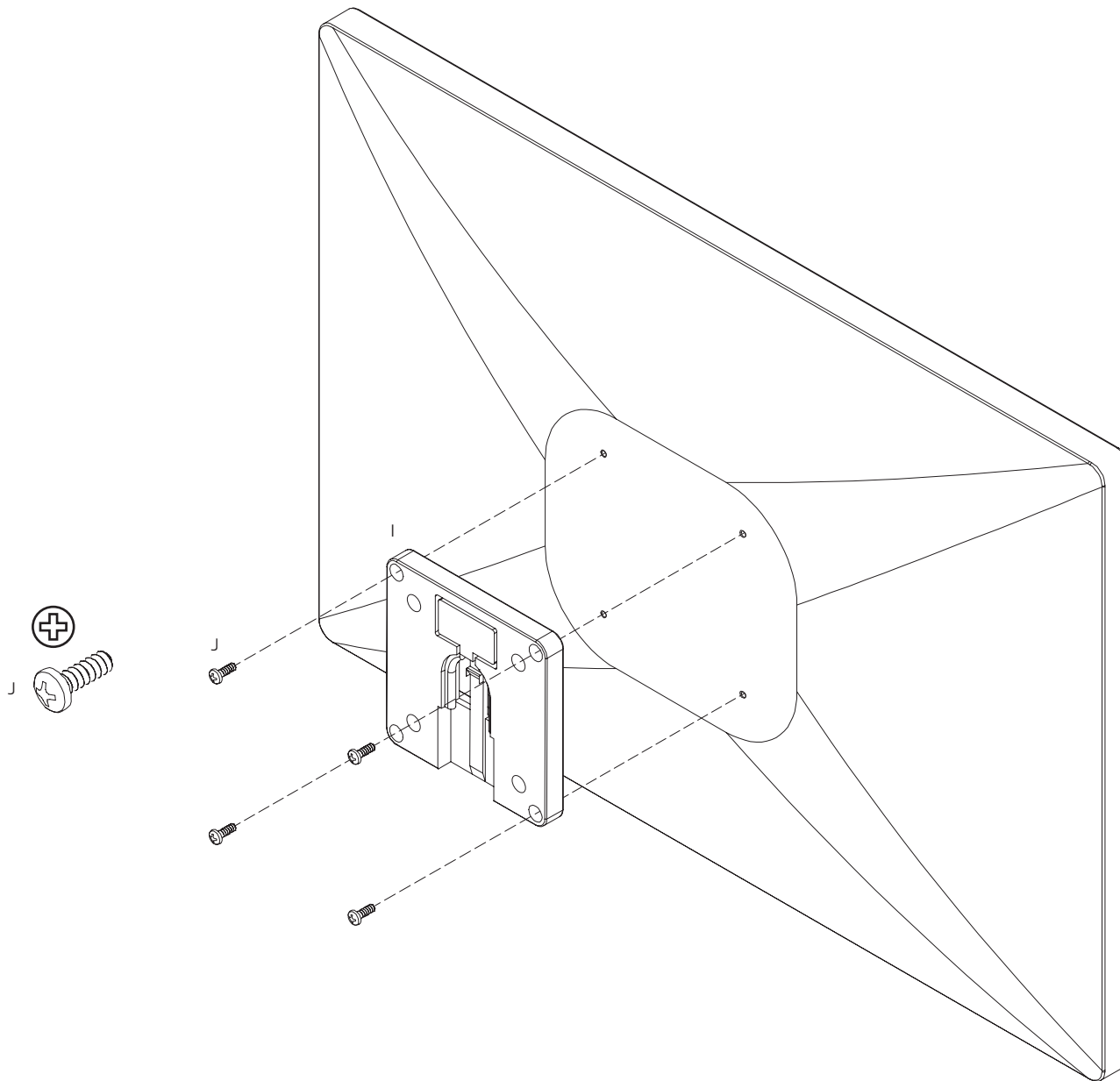
4



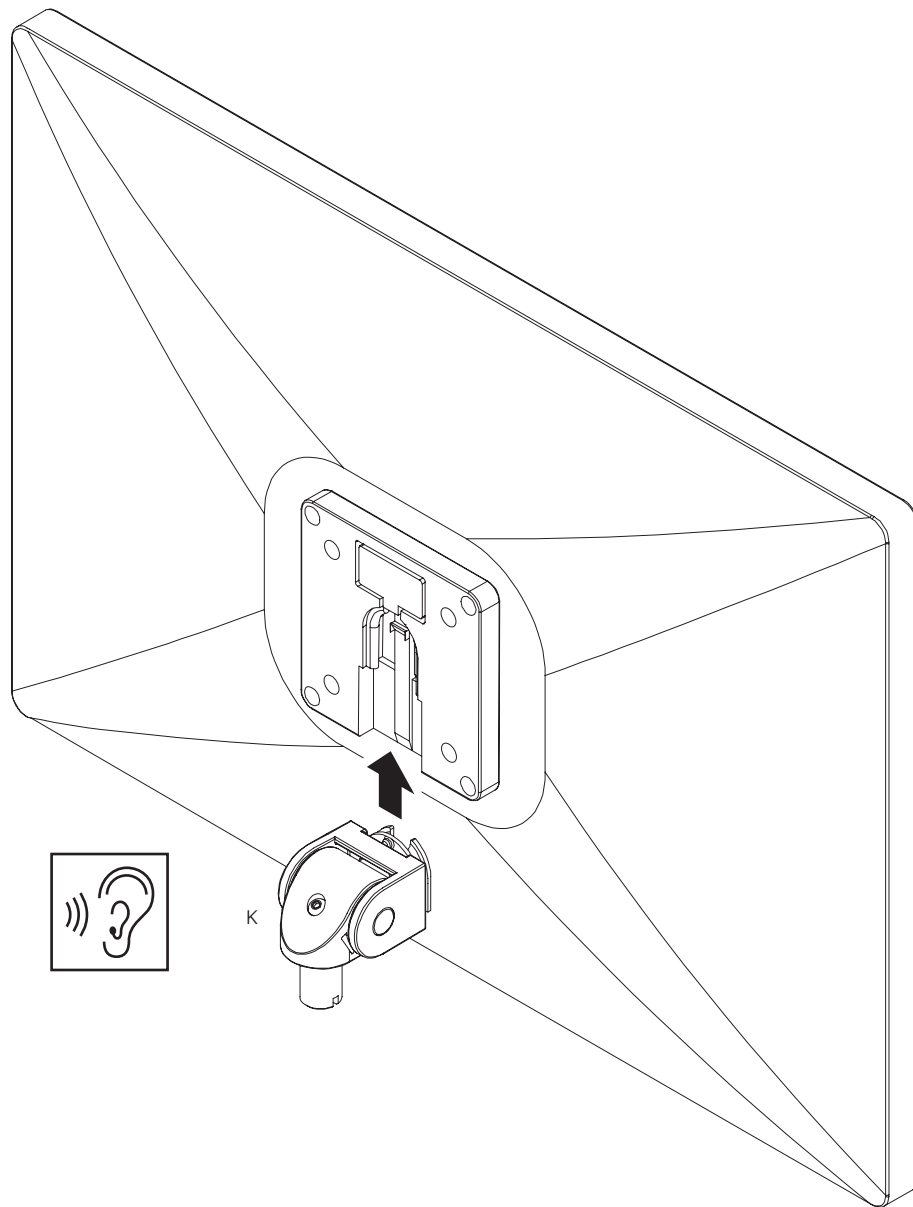


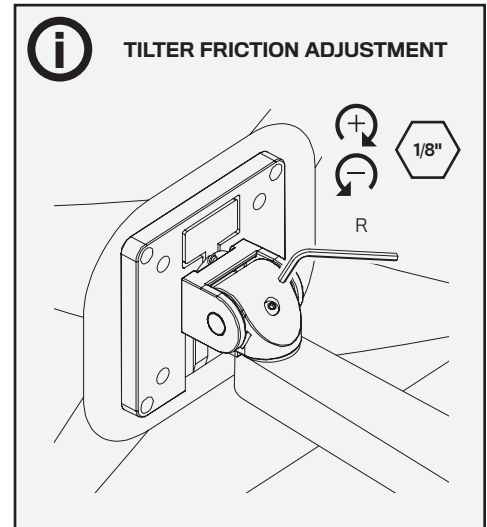
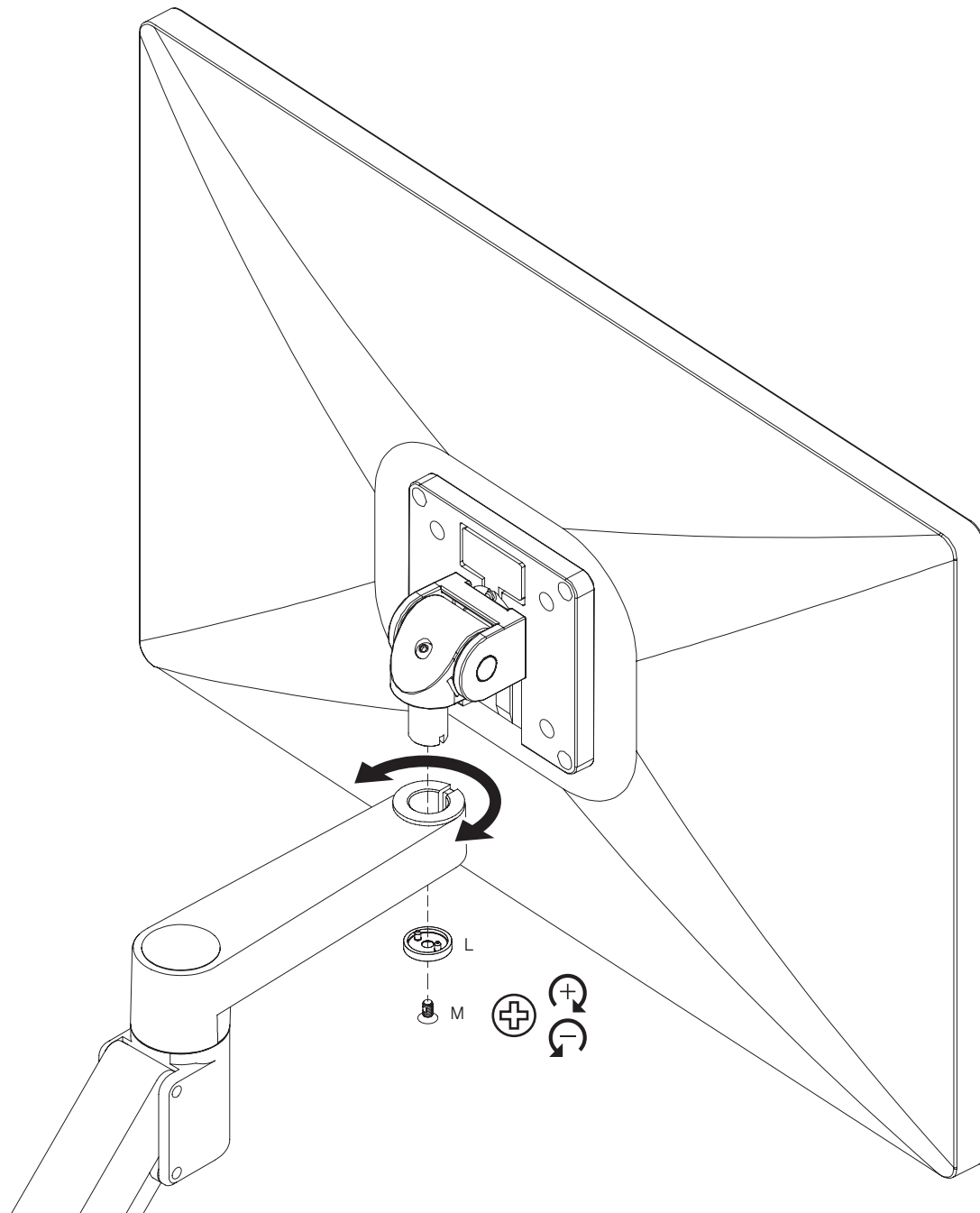




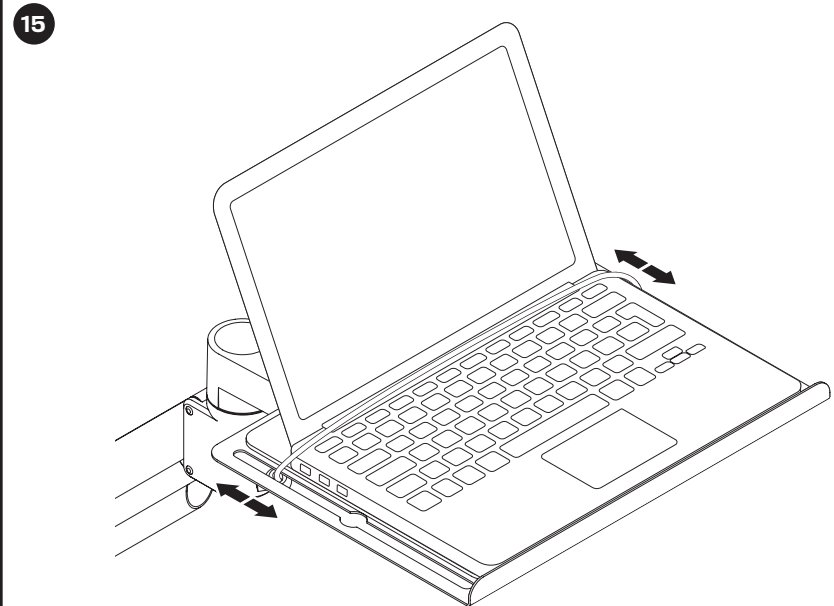
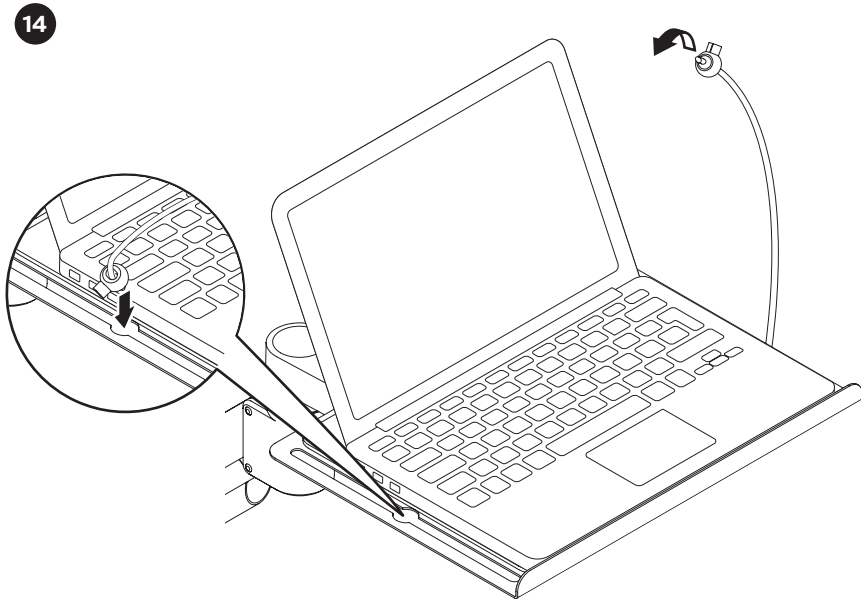
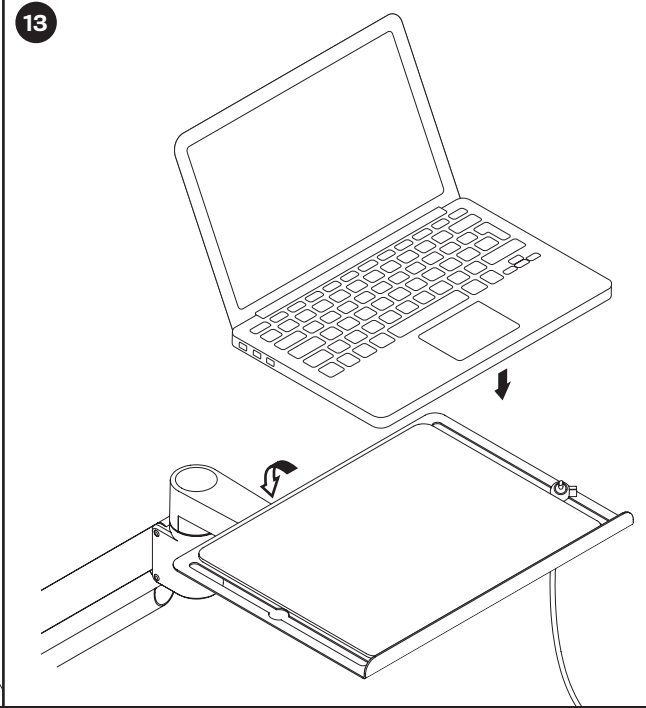
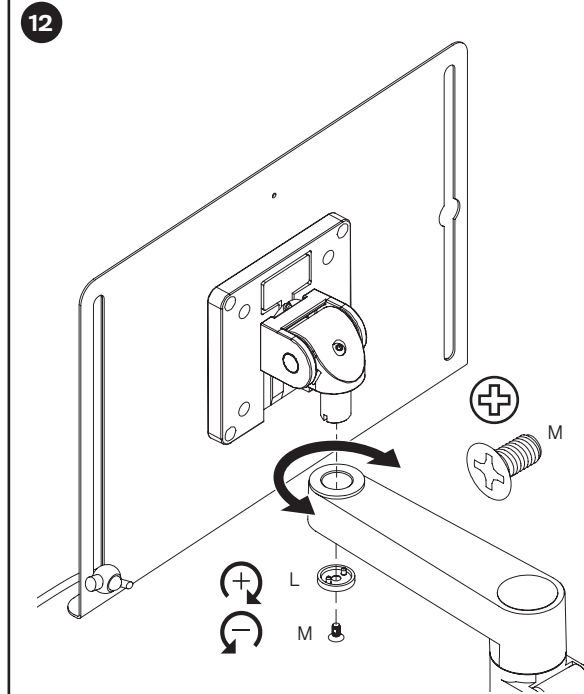
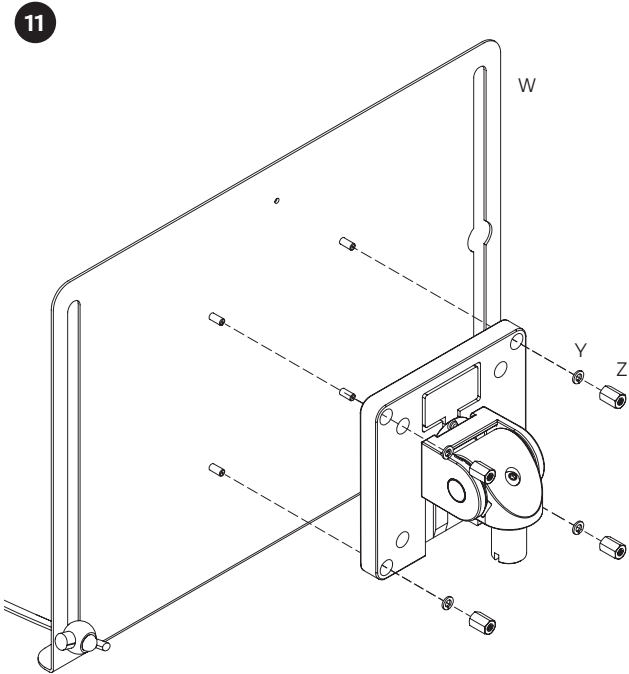


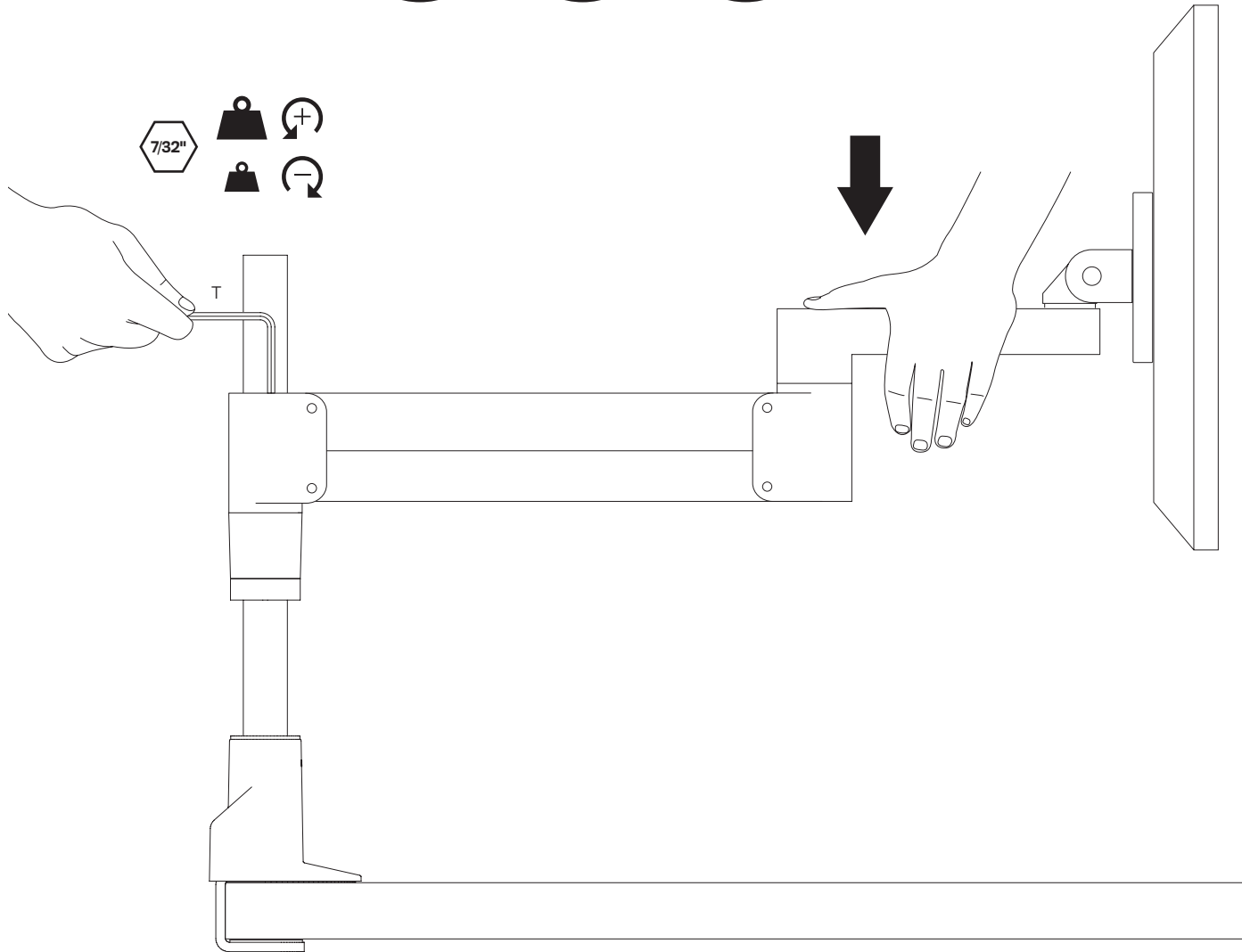
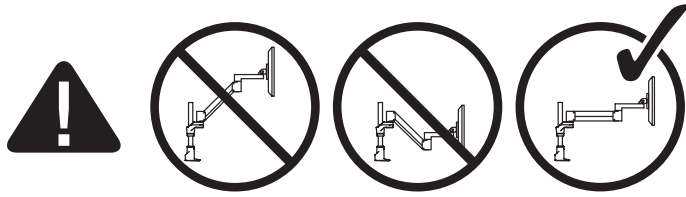






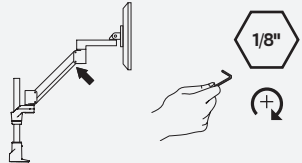
ARE YOU INSTALLING STX-XXX-8510?  
IF NOT, PLEASE CONTINUE TO STEP 16.





**i** In some instances, an additional counterbalance adjustment may be needed to allow the arm's instant height adjustment function to work properly.

If your arm is not staying in position after performing step 16, tighten the adjustment screw with a 1/8" Allen wrench.



Tighten the adjustment screw.

2x

