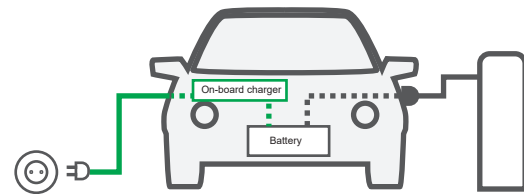
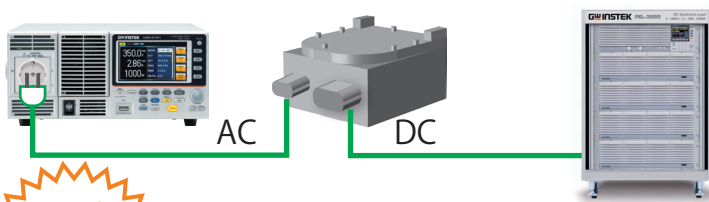
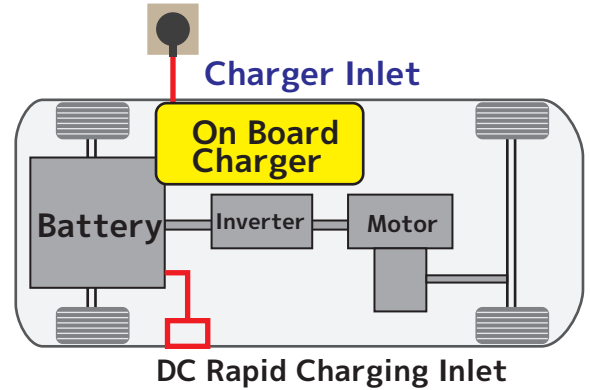


■ An AC power supply and a high-voltage DC electronic load are required for OCB inspection.

The On-Board Charger (OBC) is a unit that converts commercial power into DC voltage and charges the high voltage battery for driving.

To inspect this onboard charger (single unit), an AC power supply of 3 to 6 kVArms class (single-phase) and a high voltage type DC electronic load of 5 kW to 9 kW are required.

Commercial AC Power



Recommend Products

Recommended for OBC inspection!

Programmable AC/DC Power Source

- 2kVA ASR-3200
- 3kVA ASR-3300
- 4kVA ASR-3400



800V Programmable DC Electronic Load

- PEL-3000H Series
- 175W to 9450W



An AC power supply of 4 to 6kV Arms class is required to evaluate the On Board Charger. ASR-3000 series is recommended for evaluation up to 4kV Arms. For the evaluation of the DC output of the On Board Charger, we recommend the PEL series of large-capacity high-voltage DC electronic load devices with a maximum of 9 KVA.

Safety standard testing is possible with one unit!

500VA AC Test Capacity

- GPT-12004
- ACW, DCW, IR, GB



OCB is a power supply product. AC Withstand voltage test (AC), DC Withstand voltage test (DC), insulation resistance test (IR), and ground continuity test (GB) are required.

The safety standard tester GPT-12004 can test these inspections with one unit.

USB Storage available

Interface : RS-232C, USB host/device, Signal I/O and option GPIB or LAN

Europe Subsidiary

GOOD WILL INSTRUMENT EURO B.V.

De Run 5427A, 5504DG Veldhoven, THE NETHERLANDS

T +31 (0)40-2557790 F +31 (0)40-2541194

Email: sales@gw-instek.eu

English Web: www.gwinstek.com/en-GB

German Web: www.gwinstek.com/de-DE



Website



Facebook



LinkedIn