

<b>CONTENTS</b>	<b>PAGE</b>
<b>1. INTRODUCTION.....</b>	<b>1</b>
<b>2. CONNECTING POWER SUPPLY VIA GPIB INTERFAC E..</b>	<b>1</b>
<b>3. CONNECTING POWER SUPPLY VIA RS232 INTERFACE</b>	<b>4</b>
<b>4. INPUT AND OUTPUT QUEUE.....</b>	<b>7</b>
<b>5. COMMANDS AND SYNTAX.....</b>	<b>7</b>
<b>6. DETAILS OF COMMAND REFERENCE.....</b>	<b>19</b>
<b>7. STATUS AND ERROR REPORTING.....</b>	<b>38</b>

## 1. INTRODUCTION

In the modern automatic measurement system, communication between equipments and computers is essential. The measured procedures can be varied with users' testing programs, therefore, the programmable power supply can be operated remotely from an instrument controller or computer across the RS232 interface (optional) or GPIB (optional).

### Interface selection and setup

The GPIB address can be changed in normal operation condition. Press [SHIFT] key and [LOCAL] key on the front panel, in which the last transmitting interface settings will be displayed. Select interface and press [ENTER], then select the baud rate (or GPIB address) and press [ENTER] to confirm the setting by using the knobs. Finally, select "save" and press [ENTER] to store the setup.

## 2. CONNECTING THE PROGRAMMABLE POWER SUPPLY VIA GPIB INTERFACE

### The GPIB interface capabilities:

The GPIB interface of the programmable power supply corresponds to the standard of IEEE488.1-1987, IEEE488.2-1992 and SCPI-1994. The GPIB interface functions are listed as follows:

- SH1(Source Handshake) : The power supply can transmit multilane messages across the GPIB.
- AH1(Acceptor Handshake) : The power supply can receive multilane messages across the GPIB.
- T6(Talker) : Talker interface function includes basic talker, serial poll, and unaddress if MLA capabilities, without talk only mode function.

- L4 (Listener) : The power supply becomes a listener when the controller sends its listen address with the ATN (attention) line asserted. The power supply does not have listen only capability.
- SR1 (Service Request) : The power supply asserts the SRQ (Service request) line to notify the controller when it requires service.
- RL1 (Remote/Local) : The power supply responds to both the GTL(Go to Local) and LLO(Local Lock Out) interface messages.
- PP0 (Parallel Poll) : The power supply has no Parallel Poll interface function.
- DC1 (Device Clear) : The power supply has Device clear capability to return the device to power on status.
- DT0 (Device Trigger) : The power supply has no Device Trigger interface function.
- C0 (Controller) : The power supply can not control other devices.

### Notes for GPIB installation

When the programmable power supply is set up with a GPIB system, please check the following things:

- Only a maximum of 15 devices can be connected to a single GPIB bus.
- Do not use more than 20m of cable to connect devices to a bus.
- Connect one device for every 2m of cable used.
- Each device on the bus needs a unique device address. No two devices can share the same device address.

- Turn on at least two-thirds of the devices on the GPIB system while using the system.
- Do not use loop or parallel structure for the topology of GPIB system.

### Computer's Connection

A personal computer with a GPIB card is the essential facilities in order to operate the programmable power supply via GPIB interface.

The connections between power supply and computer are following:

- I. Connect one end of a GPIB cable to the computer.
- II. Connect the other end of the GPIB cable to the GPIB port on the programmable power supply.
- III. Turn on the programmable power supply.
- IV. Turn on the computer.

### The GPIB connection testing

If you want to test whether the GPIB connection is working or not, you can send a GPIB command from computer. For instance, the query command

\*idn?

should return the Manufacturer, model number, serial number and firmware version in the following format:

GW.Inc , PST-3202 , A000000 , FW1.00

If you do not receive a proper response from the power supply, please check if the power is on, the GPIB address is correct, and all cable connections are active.

### 3. CONNECTING THE PROGRAMMABLE POWER SUPPLY VIA RS232 INTERFACE

#### The RS 232 interface capabilities:

The RS232 interface provides a point-to-point connection between two items of equipment such as a computer and the power supply. There are some parameters you need to set on the both sides. Once you have set these parameters, you can control the power supply through the RS232 interface.

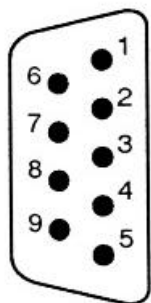
- Baud rate: You can set rates of 1200, 2400, 4800 or 9600 baud.
- Parity bit: none.
- Data bit: 8 bits.
- Stop bit: 1 stop bit.
- Data flow control: none.

#### Notes for RS232 installation

The power supply is a DTE device with a 9-pin D-type shell RS232 connector located on the rear panel. Figure 1 shows the equipment of 9-pin connector (male) with its pin number assignments. Figure 2 shows the wiring configuration for DB9 to DB9. When the programmable power supply is set up with a RS232 interface, please check the following points:

- Do not connect the output line of one DTE device to the output line of the other.
- Many devices require a constant high signal on one or more input pins.
- Ensure that the signal ground of the equipment is connected to the signal ground of the external device.
- Ensure that the chassis ground of the equipment is connected to the chassis ground of the external device.

- Do not use more than 15m of cable to connect devices to a PC.
- Ensure the same baud rate is used on the device as the one used on PC terminal.
- Ensure the connector for the both side of cable and the internal connected line are met the demand of the instrument.



1. No connection
2. Receive Data(RxD) (input)
3. Transmit Data(TxD) (output)
4. No connection
5. Signal Ground(GND)
6. No connection
7. No connection
8. No connection
9. No connection

Figure 1 Pin assignments of the RS232 connector on the rear panel for DB -9-D

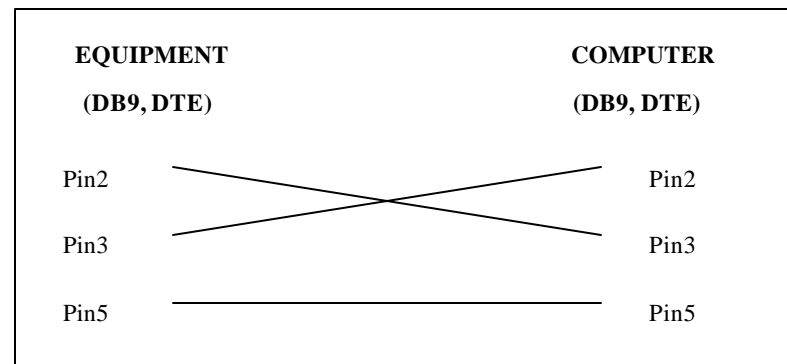


Figure 2 Wiring configuration for DB9 to DB9

### Computer's Connection

A personal computer with a COM port is the essential facilities in order to operate the programmable power supply via RS232 interface.

The connections between power supply and computer are as follows:

- Connect one end of a RS232 cable to the computer.
- Connect the other end of the cable to the RS232 port on the programmable power supply.
- Turn on the programmable power supply.
- Turn on the computer.

### The RS232 connection testing

If you want to test whether the RS232 connection is working or not, you can send a command from computer. For instance, using a terminal program send the query command

```
*idn?
```

should return the Manufacturer, model number, serial number and firmware version in the following format:

```
GW.Inc,PST-3202,A000000,FW1.00
```

If you do not receive a proper response from the power supply, please check if the power is on, the RS232 baud rate are the same on both sides, and all cable connections are active.

## 4. INPUT AND OUTPUT QUEUE

The design of 128 bytes input queue and 128 bytes output queue for storing the pending commands or return messages is to prevent the transmitted commands of remote control and return messages from missing. As the maximum stored capacity for Error/Event Queue is 20 groups of messages, it should be noted that input data exceeding the capacity by using these buffers will cause data missing.

## 5. COMMANDS AND SYNTAX

The GPIB commands of the programmable power supply are compatible with IEEE-488.2 and SCPI standards

### SCPI

SCPI (Standard Commands for Programmable Instruments) is a standard that created by an international consortium of the major test and measurement equipment manufacturers. The IEEE-488.2 syntax has been adopted by SCPI to provide common commands for the identical functions of different programmable instruments.

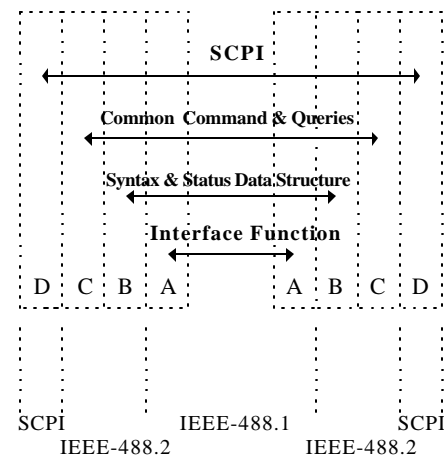


Figure 3 the relationship between IEEE-488.1, IEEE-488.2, and SCPI

As shown in the figure 3, the IEEE-488.1 standard locates at layer A, the layer A belongs to the protocol of interface function on the GPIB bus. The source handshake (SH), acceptor handshake (AH) and talker are included to this layer (10 interface functions totally).

At layer B, the syntax and data structure could be the essence of entire IEEE-488.2 standard. The syntax defines the function of message communication, which contain the <PROGRAM MESSAGE> (or simply “commands”) and <RESPONSE MESSAGE>. The two kinds of messages represent the syntax formation of device command and return value. The data structure is the constitution of status reporting, which IEEE-488.2 standard have been defined.

The common commands and queries are included to layer C. Commands and queries can be divided into two parts: mandatory and optional. Commands modify control settings or tell the instrument to perform a specific action. Queries cause the instrument to send data or status information back to the computer. A question mark at the end of a

command identifies it as a query.

Layer D is interrelated with device information. Different devices have different functions. SCPI command sets belong to this layer.

### Command Syntax

If you want to transfer any instructions to an instrument, and comply with SCPI, there are three basic elements must be included.

- Command header
- Parameter (if required)
- Message terminator or separator

### Command Header

The command header has a hierarchical structure that can be represented by a command tree (Figure 4).

The top level of the tree is the root level. A root node is located at the root level. A root node and one or more lower-level nodes form a header path to the last node called the leaf node.

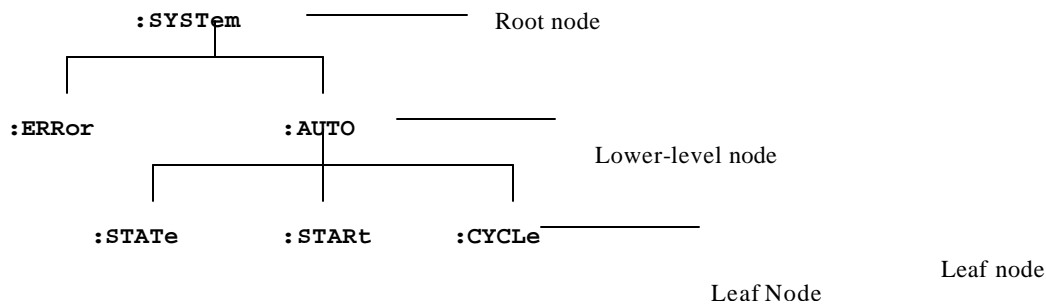


Figure 4: Tree hierarchy

The command header is configured by header path and leaf node. Figure 5 shows the command header for the leaf node indicated in Figure 4.

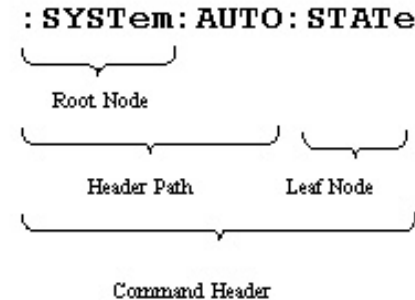


Figure 5 Command Header

### Parameter

If the commands have parameters, the values have to be included. In this manual, when we expressed the syntax of the command, the **< >** symbols are used for enclosing the parameter type. For instance, the syntax of the command in Figure 6 includes the Boolean parameter type.

**NOTE:** Do not include the **<**, **>**, or **|** symbols when entering the actual value for a parameter.

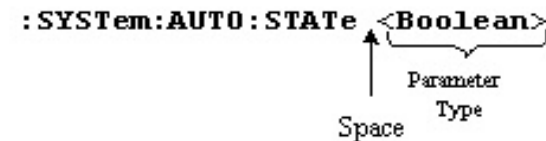


Figure 6 Command Header with Parameter

Table 1 defines the Boolean and other parameter types for the programmable power supply.

Parameter Type	Description	Example
Boolean	Boolean numbers or values	0, 1
NR1	Integers	0, 1, 18
NR2	Decimal numbers	1.5, 3.141, 8.4
NR3	Floating point numbers	4.5E-1, 8.25E+1
String	Alphanumeric characters	“No error”

**Table 1: Parameter Types for Syntax Descriptions**

### Message Terminator and Message Separator

#### I. GPIB message terminators

In accordance with IEEE 488.2 standard, any of the following message terminators are acceptable:

- LF^END Line feed code (hexadecimal 0A) with END message
- LF Line feed code
- <dab>^END Last data byte with END message

These terminators are compatible with most application programs. A semicolon separates one command from another when the commands appear on the same line.

#### II. RS232 message terminators

As there is no signal of end message on RS232 bus, therefore, use LF as message terminator. When a series of commands are sent to the instrument, it must add a LF to be a judgment for message terminator. As for query command, the return message of the instrument is also added a LF for PC to judge message terminator.

#### Entering Commands

The standards that govern the command set for the programmable power supply allow for a certain amount of flexibility when you enter commands. For instance, you can abbreviate many commands or combine commands into one message that you send to the programmable power supply. This flexibility, called friendly listening, saves programming time and makes the command set easier to remember and use.

#### Command Characters

The programmable power supplies are not sensitive to the case of command characters. You can enter commands in either uppercase or lowercase.

You can execute any command with white space characters. You must, however, use at least one space between the parameter and the command header

#### Abbreviating Commands

Most commands have a long form and a short form. The listing for each command in this section shows the abbreviations in uppercase. For instance, you can enter the query :CHANnel1:VOLTage 1.23 simply as :CHAN1:VOLT 1.23

Because the programmable power supply hypothesis that a command starts from the root, you have the option of beginning the initial command header with a colon (:).

### Combining Commands

You can use a semicolon (;) to combine commands. But continuously query command will cause message missing. For example:  
CHAN1:VOLT ?;CURR ?

If the command that follows the semicolon has a different header path from the root level, you must use a colon to force a return to the root level:

```
:CHAN1:VOLT 1.23;;OUTP:COUP:TRAC 1
```

If the command that follows the semicolon has the same header path, you may omit the colon and the path and state only the new leaf node. For example:

```
:CHAN1:VOLT 12.34;CHAN1:CURR 1.55
```

is equal to

```
:CHAN1:VOLT 12.34;CURR 1.55
```

You can combine commands and queries into the same message. Note, for example, the following combination:

```
:CHAN1:VOLT 12.34;VOLT ?
```

### Synopsis of Commands

The tables in this section summarize the command of the programmable power supply. These tables divide the commands into three functional classifications:

- General Setting Commands
- Status Commands
- Miscellaneous Commands

The tables also provide a brief explanation of each command.

### ● General Setting Commands

Table 2 lists the general setting commands that control and query the settings of the power supply.

**Table 2: General Setting Commands**

Command	Explanation
:CHANnel<x>:CURRent <NR2>	1 Sets the value of current.
:CHANnel<x>:CURRent ?	1 Return the value of current.
:CHANnel<x>:VOLTage <NR2>	1 Sets the value of voltage.
:CHANnel<x>:VOLTage ?	1 Return the value of voltage.
:CHANnel<x>:MEASure:CURRent ?	1 Returns actual output current.
:CHANnel<x>:MEASure:VOLTage ?	1 Returns actual output voltage.
:CHANnel<x>:PROTection:CURRent <Boolean>	1 Sets the overcurrent protection (OCP) on or off.
:CHANnel<x>:PROTection:CURRent ?	1 Returns the state of the overcurrent protection (OCP) setting as either on or off.
:CHANnel<x>:PROTection:VOLTage <NR2>	1 Sets the value of overvoltage protection (OVP).
:CHANnel<x>:PROTection:VOLTage ?	1 Returns the overvoltage protection (OVP) setting.
:OUTPut:COUPle:TRACking <NR1>	2 Sets the output of the power supply working on Series-tracking or Parallel-tracking or independent mode.
:OUTPut:COUPle:TRACking ?	2 Returns the output of the power supply working mode.



:OUTPut:PROTEction:CLEar	Clears over-voltage and over-current and over temperature protection error message.
:OUTPut:STATe <Boolean>	Sets the output state on or off.
:OUTPut:STATe ?	Returns the output state on or off.

**Remark:**

The mark “ 1” means the <X> for PSS and PSH series can only be 1.

The mark “ 2” means the PSS and PSH series do not have the function.

- **Status Commands**

Table 3 lists the status commands that set and query the various registers and queues that make up the status and event structure of the programmable power supply.

**Table 3: Status Commands**

*CLS	Clears the status data structures.
*ESE <NR1>	Sets the Event Status Enable Register (ESER).
*ESE?	Returns contents of Event Status Enable Register (ESER).
*ESR?	Returns and clear the contents of Standard Event Status Register (SESR).
*SRE <NR1>	Sets contents of Service Request Enable Register(SRER).

*SRE?	Returns contents of Service Request Enable Register (SRER).
*STB?	Reads Status Byte Register (SBR).
:STATus:OPERation:CONDition ?	Returns the contents of the OPERation condition register. Returns NR1.
:STATus:OPERation:ENABle <NR1>	Sets the contents of the enable mask for the OPERation event register.
:STATus:OPERation:ENABle ?	Returns the contents of the enable mask for the OPERation event register. Returns NR1.
:STATus:OPERation:EVENt ?	Query the contents of the OPERation Event register.
:STATus:PRESet	Presets the OPERation and QUEStionable status registers.
:STATus:QUEStionable:CONDition ?	Returns the contents of the OPERation condition register. Returns NR1.
:STATus:QUEStionable:ENABle <NR1>	Sets the contents of the enable mask for the QUEStionable enable register.
:STATus:QUEStionable:ENABle ?	Query the contents of the Questionable Enable register.
:STATus:QUEStionable:EVENt ?	Query the contents of the QUEStionable Event register.

- **Miscellaneous Commands**

Table 4 lists the miscellaneous commands that control general housekeeping functions of the programmable power supply.

**Table 4: Miscellaneous Commands**

*IDN?	Returns instrument identification.
*OPC	Reports when operation is complete by setting the Operation Complete bit in SESR.
*OPC?	Reports when operation is complete. Same as *OPC except returns a 1 to the output queue and does not set the SESR bit.
*RCL	Recall the setting data from the memory which previous saved.
*RST	Resets the protection levels and states, resets the current and voltage levels to zero, sets the output off, and sets memory section to 00.
*SAV	Saves the setting data to memory.
*TST?	Initiates internal self-test and reports results.
*WAI	Wait to continue. This command forces sequential operation of commands. This command is required by IEEE-488.1-1987. The power supply, however, forces sequential operation of commands by design.
:SYSTem:AUTO:CYCLE <NR1>	Set number of times of execution.
:SYSTem:AUTO:CYCLE ?	Query the setting of the number of times of execution.

:SYSTem:AUTO:DELay <NR1>	Set the delay time under the current responding memory status.
:SYSTem:AUTO:DELay ?	Query the setting of the delay time under the current responding memory status.
:SYSTem:AUTO:END <NR1>	Set the end memory section for auto execute continuously.
:SYSTem:AUTO:END ?	Query the end memory section for auto execute continuously.
:SYSTem:AUTO:STARt <NR1>	Set the start memory section for auto execute continuously.
:SYSTem:AUTO:STARt ?	Query the start memory section for auto execute continuously.
:SYSTem:AUTO:STATe <Boolean>	Sets Auto sequence on or off.
:SYSTem:AUTO:STATe ?	Returns Auto Sequence mode on or off.
:SYSTem:ERRor ?	Read the next item from the error/event queue.
:SYSTem:MEMory?	Query the last memory location
:SYSTem:VERSion?	Returns the SCPI version level.

Remark: The mark “ ” means the PSS and PSH do not have the function.

## 6. DETAILS OF COMMAND REFERENCE

Each command in this chapter will give a detailed description. The examples of each command will be provided and what query form might return.

### \*CLS (no query form)

#### Function:

Clear all event status data register. This includes the Output Queue, Operation Event Status Register, Questionable Event Status Register, and Standard Event Status Register.

#### Syntax:

\*CLS

#### Examples:

\*CLS clears all event registers.

### \*ESE

#### Function:

Set or return the bits in the Event Status Enable Register (ESER). The ESER enables the Standard Event Status Register (SESR) to be summarized on bit 5 (ESB) of the Status Byte Register (SBR).

#### Syntax:

\*ESE <NR1>

\*ESE?

<NR1> is in the range from 0 through 255.

#### Returns:

<NR1> is a number from 0 to 255 that indicates the decimal value of the binary bits of the ESER.

#### Examples :

\*ESE 65 sets the ESER to binary 0100 0001.

If the ESER contains the binary value 1000 0010, the \*ESE? will return the value of 130.

### \*ESR? (query only)

#### Function:

Return and clear the contents of the Standard Event Status Register (SESR).

#### Syntax:

\*ESR?

#### Returns:

<NR1> is a number from 0 to 255 that indicates the decimal value of the binary bits of the ESER.

#### Examples :

If the ESER contains the binary value 1100 0110, the \*ESR? will return the value of 198.

### \*IDN? (query only)

#### Function:

Return the unique identification code of the power supply.

#### Syntax:

\*IDN?

#### Returns:

<string> includes Manufacturer, model number, serial number and firmware version.

**Examples:**

\*IDN? Returns GW, PST -3202, 0, FW:1.00

**\*OPC****Function:**

The command form (\*OPC) sets the operation complete bit (bit 0) in the Standard Event Status Register (SESR) when all pending operations are finished.

The query form (\*OPC?) tells the programmable power supply to place an ASCII 1 in the Output Queue when the power supply completes all pending operations.

**Syntax:**

\*OPC

\*OPC?

**Returns:**

1

**\*RCL****Function:**

Recall the setting data from the memory saved previously. (The PSS and PSH series do not have this function)

**Syntax:**

\*RCL <NR1>

<NR1> is in the range from 0 through 99.

**Examples:**

\*RCL 12 recalls the setting data stored in memory location 12.

**\*RST (no query form)****Function:**

Set all control settings of power supply to their default values but does not purge stored setting. The equivalent panel control will be set as below:

Front Panel Control	Default Setting
OUTPUT	OFF
CURRENT SET	0
VOLTS SET	0
OCV SET	OFF
DELAY	1 sec
AUTO SET	OFF
RECALL (memory location)	00
OVP SET	MAXimum (Please refer to the user manual for the OVP setting)
OUTPUT MODE (INDEP/SERIES/PARALLEL)	INDEP
STEP SET	MINIMUM (Please refer to the user manual.)
RECALL RANGE	START 00 END 05 CYCLE 1

**Syntax:**

\*RST

**\*SAV****Function:**

Save the setting data to a specific memory location (The PSS and PSH series do not have this function).

**Syntax:**

\*SAV <NR1>

<NR1> is in the range from 0 through 99.

**Examples:**

\*SAV 01 saves the current setting data to memory location 1.

**\*SRE****Function:**

Set the contents of the Service Request Enable Register (SRER). The query form returns the contents of the SRER. Bit 6 of the SRER is always zero. The bits on the SRER correspond to the bits on the SBR.

**Syntax:**

\*SRE <NR1>

\*SRE?

**Returns:**

<NR1> is in the range from 0 through 255.

**Examples**

\*SRE 7 sets bits of the SRER to 0000 0111.

If the \*SRE? returns 3, the SRER is set to 0000 0011.

**\*STB? (query only)****Function:**

The query of the Status Byte register (SBR) with \*STB? will return a

decimal number representing the bits that are set (true) in the status register.

**Syntax:**

\*STB?

**Returns:**

<NR1> is in the range from 0 through 255.

**Examples :**

\*STB? returns 81, if SBR contains the binary value 0101 0001.

**\*TST? (query only)****Function:**

Self-test and test the RAM, ROM.

**Syntax:**

\*TST?

**Returns:**

0 | -300

**Examples :**

\*TST? returns 0, if the test is successful.

\*TST? returns -300, if the test is unsuccessful.

**\*WAI (no query form)****Function:**

WAI prevents the programming instrument from executing further commands or queries until all pending operations are finished.

**Syntax:**

\*WAI

**:CHANnel<x>:CURRENT****Function:**

Set or query the output current value of the specific channel.

**Syntax:**

```
:CHANnel<x>:CURRENT <NR2>
```

```
:CHANnel<x>:CURRENT?
```

<x> can be 1 or 2 or 3, <NR2> Please refer to the specification.

<x> for PSS & PSH can only be 1.

**Returns:**

```
<NR2>
```

**Examples:**

```
:CHANnel1:CURRENT 2.0
```

sets the channel 1 current limit to 2.0 amps.

```
:CHANnel1:CURRENT?
```

returns 0.012 if the channel 1 current limit setting is 0.012 amps.

**:CHANnel<x>:VOLTage****Function:**

Set or query the output voltage value of the specific channel.

**Syntax:**

```
:CHANnel<x>:VOLTage <NR2>
```

```
:CHANnel<x>:VOLTage?
```

<x> can be 1 or 2 or 3, <NR2> Please refer to the specification.

<x> for PSS & PSH can only be 1.

**Returns:**

```
<NR2>
```

**Examples :**

```
:CHANnel1:VOLTage 12.0
```

sets the channel 1 voltage limit to 12.0 volts.

```
:CHANnel1:VOLTage?
```

returns 2.34 if the channel 1 voltage limit setting is 2.34 volts.

**:CHANnel<x>:MEASure:CURRENT?(Query Only)****Function:**

Read the actual output current of the specific channel.

**Syntax:**

```
:CHANnel<x>:MEASure:CURRENT?
```

<x> can be 1 or 2 or 3.

<x> for PSS & PSH can only be 1.

**Returns:**

```
<NR2>
```

**Examples :**

```
:CHANnel1:MEASure:CURRENT?
```

might return 1.234 to indicate that the load is drawing 1.234 A.

**:CHANnel<x>:MEASure:VOLTage?(Query Only)****Function:**

Read the actual output voltage of the specific channel.

**Syntax:**

```
:CHANnel<x>:MEASure:VOLTage?
```

<x> can be 1 or 2 or 3.

<x> for PSS & PSH can only be 1.

**Returns:**

<NR2>

**Examples:**

:CHANnel1:MEASure:VOLTage? might return 11.55 to indicate the voltage at the channel 1 output is 11.55 V.

**:CHANnel<x>:PROTection:CURRent****Function:**

Set or query the overcurrent protection status of the specific channel.

**Syntax:**

:CHANnel<x>:PROTection:CURRent <Boolean>

:CHANnel<x>:PROTection:CURRent?

<x> can be 1 or 2 or 3, <Boolean> can be 0 (OFF) or 1 (ON).

<x> for PSS & PSH can only be 1.

**Returns:**

0|1

**Examples:**

:CHANnel:PROTection:CURRent 0 sets the over-current protection off.

If the overcurrent protection setting is on, the command of :CHANnel:PROTection:CURRent? will return the value of 1.

**:CHANnel<x>:PROTection:VOLTage****Function:**

Set or query the over voltage protection value of the specific channel.

**Syntax:**

:CHANnel<x>:PROTection:VOLTage <NR2>

:CHANnel<x>:PROTection:VOLTage?

<x> can be 1 or 2 or 3, <NR2> Please refer to the specification.

<x> for PSS & PSH can only be 1.

**Returns:**

<NR2>

**Examples :**

:CHANnel1:PROTection:VOLTage 12.0 sets the channel 1 overvoltage protection limit to 12.0 volts.

:CHANnel1:PROTection:VOLTage? returns 2.34 if the channel 1 overvoltage protection limit setting is 2.34 volts.

**:OUTPut:COUPle:TRACking****Function:**

Change the output of the channel 1 and channel 2 to series-tracking or parallel-tracking or independent output mode (The PSS and PSH series do not have this function).

**Syntax:**

:OUTPut:COUPle:TRACking <NR1>

:OUTPut:COUPle:TRACking?

<NR1> can be 0 (INDEPENDENT) or 1 (PARALLEL -TRACKING) or 2 (SERIES -TRACKING).

**Returns:**

0|1|2

**Examples:**

:OUTPut:COUPlE:TRACkING 2 set the output of the channel 1 and channel 2 to series-tracking mode.

If the output is in the parallel-tracking mode, the command of OUTPut:COUPlE:TRACkING? will return the value of 1.

**OUTPut:PROTEction:CLEar (no query form)****Function:**

Clear all the protective messages (OTP, OVP, OCP) from the panel of the device.

**Syntax:**

```
OUTPut:PROTEction:CLEar
```

When the panel displays the protective message, no further setting can be accepted by the device. Uses this command to clear the displayed messages in order to execute further setting.

**Examples:**

```
OUTPut:PROTEction:CLEar
```

**OUTPut:STATE****Function:**

Set the output state on or off.

**Syntax:**

```
OUTPut:STATE <Boolean>
```

```
OUTPut:STATE?
```

<Boolean> can be 0(OFF) or 1(ON).

**Returns:**

0|1

**Examples :**

OUTPut:STATE 1 enables the power supply output.

If the power supply output is disabled, OUTPut:STATE? will return 0.

**STATus:OPERation:CONDition? (query only)****Function:**

Return the contents of the OPERation register. The programmable power supplies, however, do not use the OPERation register to report any conditions.

**Syntax:**

```
STATus:OPERation:CONDition?
```

**Returns:**

<NR1>

**Examples :**

STATus:OPERation:CONDition? returns 0.

**STATus:OPERation:ENABLE****Function:**

Set or query the enable mask that allows the masked conditions in the event register to be reported in the summary bit. If a bit is 1 (true) in the enable register and its associated event bit changes to 1 (true), the associated summary bit will change to 1 (true). Even though this is a 16-bit register, only 15 bits (bit 0 through bit 14) are used. Bit 15 always reads 0.

**Syntax**

```
STATus:OPERation:ENABLE <NR1>
```

```
STATus:OPERation:ENABLE?
```

<NR1> is an integer from 0 to 32767.



**Returns**

&lt;NR1&gt;

**Examples**

STATUS:OPERation:ENABLE 32767 sets all 15 bits of the register to 1.

If the STATUS:OPERation:ENABLE? returns 0, all 15 bits of the register are 0.

**STATUS:OPERation:EVENT (query only)****Function:**

Returns and clears the contents of the OPERATION register.

**Syntax:**

STATUS:OPERation:EVENT?

**Returns:**

&lt;NR1&gt;

**Examples:**

STATUS:OPERation:EVENT? returns 0.

**STATUS:PRESet****Function:**

Set the OPERATION and QUESTIONABLE enable registers to zeros.

**Syntax:**

STATUS:PRESet

**STATUS:QUESTIONable:CONDition? (query only)****Function:**

Return the contents of the QUESTIONABLE register. Reading the condition

register is non-destructive.

**Syntax:**

STATUS:QUESTIONable:CONDition?

**Returns:**

&lt;NR1&gt;

**Examples :**

STATUS:QUESTIONable:CONDition? returns 0.

**STATUS:QUESTIONable:ENABLE****Function:**

Set or query the enable mask that allows the masked conditions in the event register to be reported in the summary bit. If a bit is 1 (true) in the enable register and its associated event bit changes to 1 (true), the associated summary bit will change to 1 (true). Even though this is a 16-bit register, only 15 bits (bit 0 through bit 14) are used. Bit 15 always reads 0.

**Syntax:**

STATUS:QUESTIONable:ENABLE &lt;NR1&gt;

STATUS:QUESTIONable:ENABLE?

<NR1> is an integer from 0 to 32767.

**Returns:**

&lt;NR1&gt;

**Examples :**

STATUS:QUESTIONable:ENABLE 32767 sets all 15 bits of the register to 1.

If the STATUS:QUESTIONable:ENABLE? returns 0, all 15 bits of the register are 0.

**STATus:QUESTIONable:EVENT (query only)****Function:**

Return and clear the contents of the QUESTIONable register. The response is a decimal value that summarizes the binary values of the set bits.

**Syntax:**

STATus:QUESTIONable:EVENT?

**Returns**

<NR1>

**Examples:**

STATus:QUESTIONable:EVENT? returns 0.

**SYSTEM:AUTO:CYCLE****Function:**

Set or query the number of times of execution (The PSS and PSH series do not have this function.)

**Syntax:**

SYSTEM:AUTO:CYCLE <NR1>

SYSTEM:AUTO:CYCLE?

<NR1> is in the range from 0 through 99999 or infinite.

**Returns**

<NR1>

**Examples:**

SYSTEM:AUTO:CYCLE 8 sets auto cycle on to repeat the setting 8 times.

SYSTEM:AUTO:CYCLE 0 sets auto cycle on to repeat the setting infinite.

If the command SYSTEM:AUTO:CYCLE? Returns 0, means infinite.

**SYSTEM:AUTO:DElay****Function:**

Set the delay time under the current responding memory status (The PSS and PSH series do not have this function.)

**Syntax:**

SYSTEM:AUTO:DElay <NR1>

SYSTEM:AUTO:DElay?

<NR1> is in the range from 1 through 59999, its unit is 100ms.

**Returns**

<NR1>

**Examples :**

SYSTEM:AUTO:DElay 1 sets auto delay time at 100ms for the memory of the specific section.

SYSTEM:AUTO:DElay 1 000 sets auto delay time at 100 seconds for the memory of the specific section, no further setting of auto delay will be done on next memory section until the previous auto delay is fulfilled. If the command SYSTEM:AUTO:DElay? Returns 5, means delay 500ms at the current memory section that displayed on the LCD panel.

**SYSTEM:AUTO:END****Function:**

Set the end memory section for auto execute continuously (The PSS and PSH series do not have this function.)

**Syntax:**

SYSTEM:AUTO:END <NR1>

SYSTEM:AUTO:END?

<NR1> is in the range from 0 through 99 and must be large or equal to

the value of START.

**Returns:**

<NR1>

**Examples:**

SYSTEM:AUTO:END 8 sets auto end on from the memory of location 8 of the current device.

If the command SYSTEM:AUTO:END? Returns 99, means set the section 99 as the end.

**SYSTEM:AUTO:START****Function:**

Set the start memory section for auto execute continuously (The PSS and PSH series do not have this function.)

**Syntax:**

SYSTEM:AUTO:START <NR1>

SYSTEM:AUTO:START?

<NR1> is in the range from 0 through 99 and must be small or equal to the value of END.

**Returns:**

<NR1>

**Examples:**

SYSTEM:AUTO:START 0 sets auto start on from the memory of location 0 of the current device.

If the command SYSTEM:ATUO:START? Returns 2, means set the section 2 as the start.

**SYSTEM:AUTO:STATE****Function:**

Set or return automatic sequence setting (The PSS and PSH series do not have this function.)

**Syntax:**

SYSTEM:AUTO:STATE <Boolean>

SYSTEM:AUTO:STATE?

<Boolean> can be 0(OFF) or 1(ON).

**Returns:**

0|1

**Examples :**

SYSTEM:AUTO:STATE 1 sets auto sequence on.

**SYSTEM:ERROR? (query only)****Function:**

Query the next error message from the Error/Event queue. The result of the query is the error number followed by the error text.

**Syntax:**

SYSTEM:ERROR?

**Returns:**

<string>

**Examples :**

SYSTEM:ERROR? returns 0, "No error"

**SYSTem:MEMory? (query only)****Function:**

Read the current memory section number displayed on the panel (The PSS and PSH series do not have this function.)

**Syntax:**

SYSTem:MEMory?

**Returns:**

<NR1>

**SYSTem:VERSion? (query only)****Function:**

Return the SCPI version of the device.

**Syntax:**

SYSTem:VERSion?

**Returns:**

1994.0

**7. STATUS AND ERROR REPORTING**

A set of status registers allows the user to quickly determine the power supply's internal processing status. The status register, as well as the status and event reporting system, adhere to SCPI recommendations.

**Structure of System**

The sketch of the status and event reporting system is showed as figure 7. Each component of the sketch represents a set of registers and queues that can read, report, or enable the occurrence of certain events within the system.

If a specific event in the power supply sets a bit in a *status register*, reading which can tell you what types of events have occurred.

Each bit in the status register corresponds to a bit in an *enable register*; the enable bit must be high for the event to be reported to the Status Byte Register.

A Service Request (SRQ) is the last event to occur. The SRQ requests an interrupt on the GPIB to report events to the system controller.

**Status Registers**

There are two kinds of status registers are included to the programmable power supplies.

- OPERATION Status Registers ( CONDition, EVENT, and ENABLE)
- QUEStionable Status Registers (CONDition, EVENT, and ENABLE)

The lower level nodes: QUEStionable and OPERation each have three 16 bits registers: CONDition, EVENT, and ENABLE. Figure 8 shows the sequential relationship between these three types of registers and the commands that relate to each register.

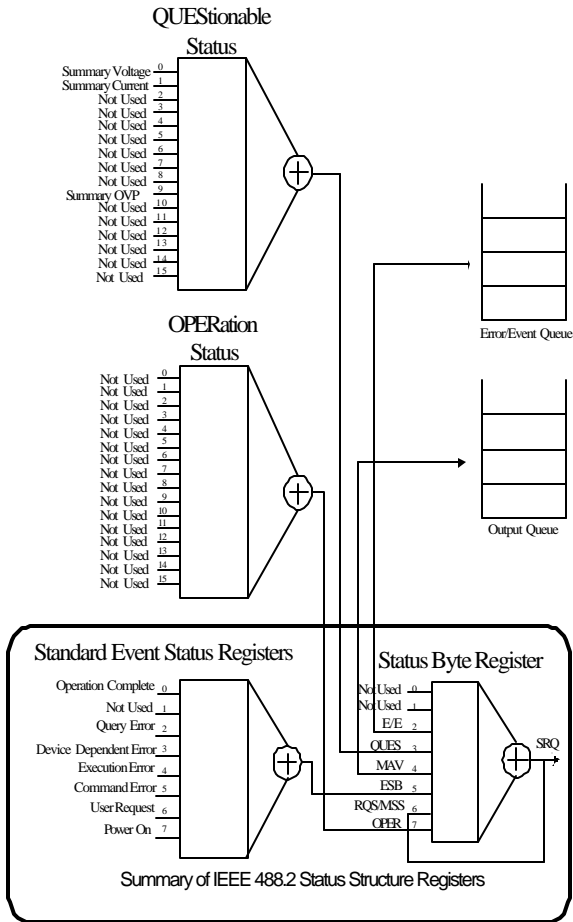


Figure 7. A graphic representation of the status registers and their connections.

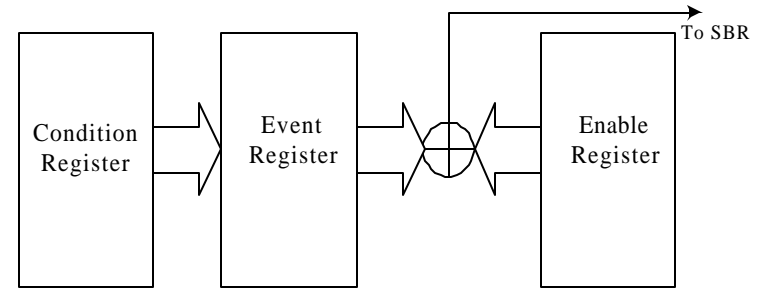


Figure 8: Status registers and related commands

The CONDition register is a read-only register which monitors the present state of the instrument. The CONDition register updates in real time and the inputs are not latched or buffered. When a condition monitored by the CONDition register becomes true, the bit for that condition also becomes true (1). When the condition is false, the bit is 0. The read-only EVENT register latches any false-to-true change in condition. Once the bit in the EVENT register is set, it is no longer affected by changes in the corresponding bit of the CONDition register. The bit remains set until the controller reads it. The command \*CLS (Clear Status) clears the EVENT register.

**QUESTIONable Status Registers.**

Table 4 shows the bit designations of the 16 bit QUESTIONable Status Register.

**Table 4: QUESTIONable Status Register**

Bit 15	Bit 14	Bit 13	Bit 12	Bit 11	Bit 10	Bit 9	Bit 8
	*NU	NU	NU	NU	NU	Summary OVP	NU
Bit 7	Bit 6	Bit 5	Bit 4	Bit 3	Bit 2	Bit 1	Bit 0
NU	NU	NU	NU	NU	NU	Summary y Current	Summary Voltage

The command `STATUS:QUESTIONable:CONDtion?` Reads the QUESTIONable CONDition register but dose not clear it.

The command `STATUS:QUESTIONable:EVENT?` Reads the QUESTIONable EVENT Status register and clears it.

### OPERation Status Registers

Table 5 shows the bit designations of the 16 bit OPERation Status Register.

**Table 5: OPERation Status Register**

Bit 15	Bit 14	Bit 13	Bit 12	Bit 11	Bit 10	Bit 9	Bit 8
	NU	NU	NU	NU	NU	NU	NU
Bit 7	Bit 6	Bit 5	Bit 4	Bit 3	Bit 2	Bit 1	Bit 0
NU	NU	NU	NU	NU	NU	NU	NU

\* NU: not used

### Status Registers

There are two status registers are included to the power supply defined by IEEE-488.1 and IEEE-488.2 standards.

- Status Byte Register (SBR)
- Standard Event Status Register (SESR)

*Status Byte Register (SBR)*: The SBR (Table 6) summarizes the status of all other registers and queues.

**Table 6: Status Byte Register (SBR)**

Bit 7	Bit 6	Bit 5	Bit 4	Bit 3	Bit 2	Bit 1	Bit 0
OPER	RQS/MSS	ESB	MAV	QUES	E/E	NU	NU

The bit 0 and 1 are not used, so these bits are always zero. The bit 2 (Error and Event) indicates an error code is waiting to be read in the Error Event Queue. The bit 3 (QUES, QUESTIONable) is the summary bit for the QESR (QUESTIONable Event Status Register). When the bit is high it indicates that status is enabled and present in the QUES. The bit 4 (MAV, Message Available) indicates that output is available in the output queue. The bit 5 (ESB, Event Status Bit) is the summary bit for the Standard Event Status Register (SESR). When the bit is high it indicates that status is enabled and present in the SESR. The bit 6 (RQS, Request Service) is obtained from a serial poll and shows that the power supply requests service from the GPIB controller. The bit 7 (OPER, OPERATION) is the summary bit for the OESR (OPERation EVENT STATUS Register).

Use the serial poll or the \*STB? Query to read the contents of the SBR. The bits in the SBR are set and cleared depending on the contents of the Standard Event Status Register (SESR), the Standard Event Status Register (SESR), and the Output Queue.

Standard Event Status Register (SESR): Table 7 shows the SESR

**Table 7: Standard Event Status Register (SESR)**

Bit 7	Bit 6	Bit 5	Bit 4	Bit 3	Bit 2	Bit 1	Bit 0
PON	URQ	CME	EXE	DDE	QYE	NU	OPC

The bit 0 (OPC, Operation Complete) shows that the operation is completed. This bit is active when all pending operations are completed following an \*OPC command. The bit 1 is always zero. The bit 2 (QYE, Query Error) indicates a command or query protocol error. The bit 3 (DDE, Device Error) shows that a device error occurred. The bit 4 (EXE, Execution Error) shows that an error occurred while the power supply was executing a command or query. The bit 5 (CME, Command Error) shows that an error occurred while the power supply was parsing a command or query. The bit 6 (USR, User Request) indicates the LOCAL button was pushed. The bit 7 (PON, Power On) shows that the power supply was powered on.

Use the \*ESR? Query to read the SESR. Read the SESR and clear the bits of the registers so that the register can accumulate information about new events.

### Enable Registers

The enable registers determine whether certain events are reported to the Status Byte Register and SRQ. The programmable power supply has the

following enable registers.

- Event Status Enable Register (ESER)
- OPERATION Enable Register
- QUESTIONABLE Enable Register
- Service Request Enable Register (SRER)

When one of the bits of the enable registers is high and the corresponding bit in the status register is high, the enable registers will perform a logical OR function, the output that controls the set bit of the Status Byte Register is high.

Various commands set the bits in the enable registers. The following sections describe the enable registers and the commands that set them.

Event Status Enable Register (ESER): The ESER controls which types of events are summarized by the Event Status Bit (ESB) in the SBR. The bits of the ESER correspond to the bits of the SESR.

Use the \*ESE command to set the bits in ESER. Use the \*ESE? query to read it.

OPERation Enable Register: Even though the OPERATION Enable Register is present in the programmable power supplies, the OPERATION registers do not report any conditions.

QUESTIONable Enable Register: The QUESTIONABLE Enable Register controls which types of events are summarized by the QUES status bit in the SBR. Use the STATUS:QUESTIONABLE:ENABLE command to set the bits in the QUESTIONABLE Enable register. Use the STATUS:QUESTIONABLE:ENABLE? query to read it.

Service Request Enable Register (SRER): The SRER controls which bits in the SBR generate a service request.

Use the \*SRE command to set the SRER. Use the \*SRE? query to read it.

**Queues**

The output queue is included to power supplies.

**Output Queue:** The programmable power supplies store query responses in the output queue by succeeding the IEEE 488.2 protocol. If the power supply receives a new command or query message after a message terminator, the power supply will clear and reset this queue each time. The computer must read a query response before it sends the next command (or query) or it loses response to earlier queries.

**Error/Event Queues**

When an error or event occurs, the output queue stores the message. The output queue stores and reports the messages on a FIFO (first in first out) state. The `SYSTEM:ERROR?` query reads the next item from the output queue. If output queue overflows, the error message is `-350, "Queue overflow"`; the queue can't store or report succeeding messages till it is read or cleared.

**Error Message**

Table 8 lists the SCPI error messages for the programmable power supplies.

**Table 8 The error messages for the power supplies**

SCPI Error Code and Description	SESR Bit
0, "No error"	
-100, "Command error"	5
-200, "Execution Error"	4
-221, "Settings conflict"	4
-221, "Settings conflict; Timer setting error"	4
-221, "Settings conflict; Overvoltage protection setting error"	4
-221, "Settings conflict; Voltage setting error"	4

-221, "Settings conflict; Current setting error"	4
-221, "Settings conflict; Recall setting error"	4
-221, "Settings conflict; Store setting error"	4
-222, "Data out of range"	4
-222, "Data out of range ; Voltage too large"	4
-222, "Data out of range ; Current too large"	4
-222, "Data out of range ; Voltage too small"	4
-222, "Data out of range ; Current too small"	4
-240, "Hardware Error"	4
-300, "Device-specific error"	3
-300, "Device-specific error; Overcurrent protection error"	3
-300, "Device-specific error; Overvoltage protection error"	3
-300, "Device-specific error; Overtemperature protection error"	3
-300, "Device-specific error; Calibration current error"	3
-300, "Device-specific error; Calibration voltage error"	3
-300, "Device-specific error; Calibration overvoltage protection error"	3
-310, "System error"	3
-313, "Calibration memory lost"	3
-330, "Self-test failed"	3
-330, "Self-test failed; CPU test error"	3
-330, "Self-test failed; RAM test error"	3
-330, "Self-test failed; ROM test error"	3
-330, "Self-test failed; DAC/ADC test error"	3
-350, "Queue overflow"	3
-410, "Query INTERRUPTED "	2
-420, "Query UNTERMINATED "	2
-430, "Query DEADLOCKED "	2