

Rack Adapter Panel

GRA-432



Assembly Manual

GW INSTEK PART NO. 82RA-43200M01

This assembly manual contains proprietary information, which is protected by copyrights. All rights are reserved. No part of this manual may be photocopied, reproduced or translated to another language without prior written consent of Good Will company.

The information in this manual was correct at the time of printing. However, Good Will continues to improve products and reserves the rights to change specification, equipment, and maintenance procedures at any time without notice.

Good Will Instrument Co., Ltd.

No. 7-1, Jhongsing Rd., Tucheng Dist., New Taipei City 236, Taiwan.



ISO-9001 CERTIFIED MANUFACTURER

GW INSTEK

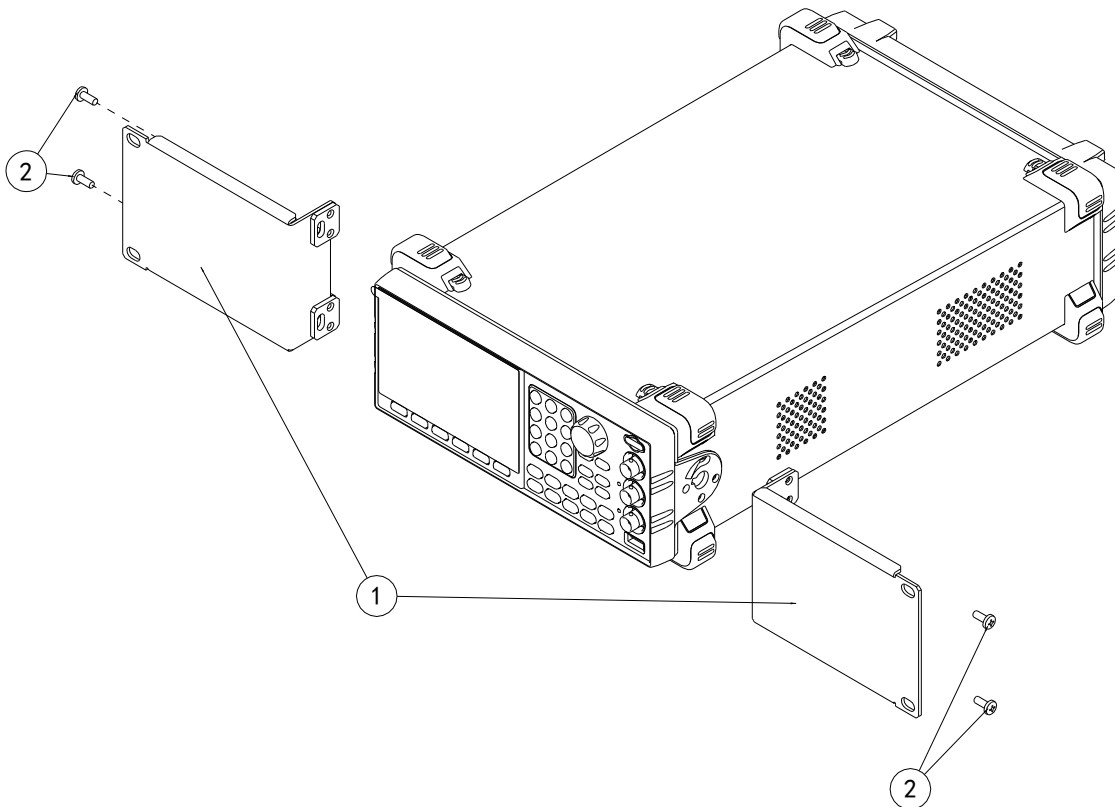
GRA-432

Overview

The GRA-432 2U 19" rack mount is suited for the AFG-30xx Series Arbitrary Function Generator. The GRA-432 is designed for use with standard sized rack units.

Rack Mount Adapter Component List

Description Please check to make sure all the components of the GRA-432 rack mount kit are provided.



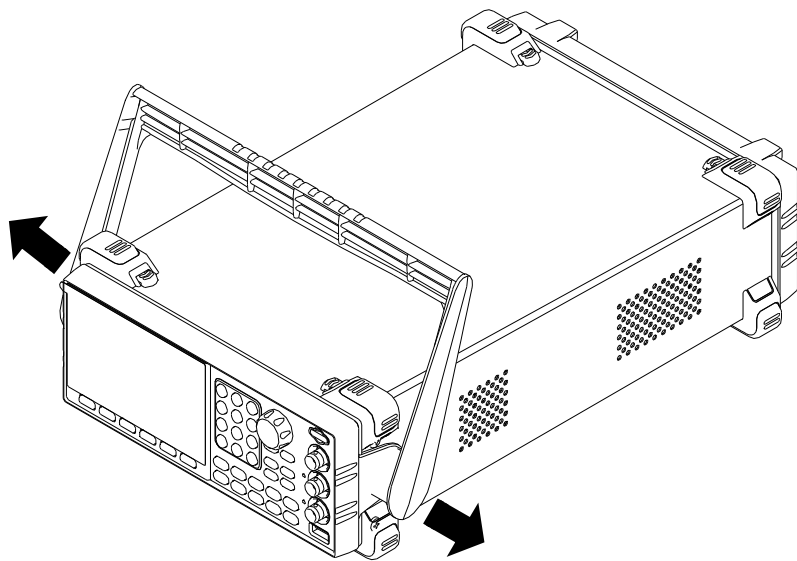
GRA-432 Assembly	Item	Part NO.	Description	QTY
	1	62RA-432HP101	2U BRACKET	2
	2	594B-04010NS1	BMS, 4*10	4

Rack Mount Adapter Assembly

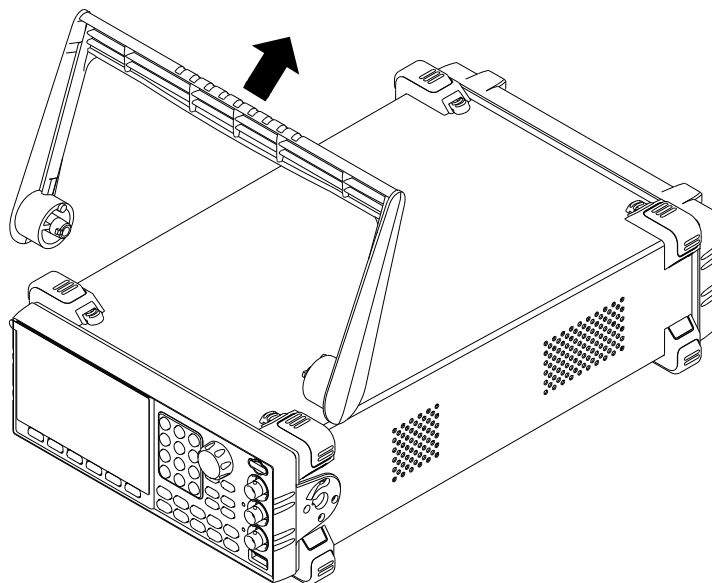
Description Assembly of the GRA-432 involves first removing the handle and the protection feet. The rack mount is then securely attached to both sides of the AFG-30xx chassis with screws.

Steps

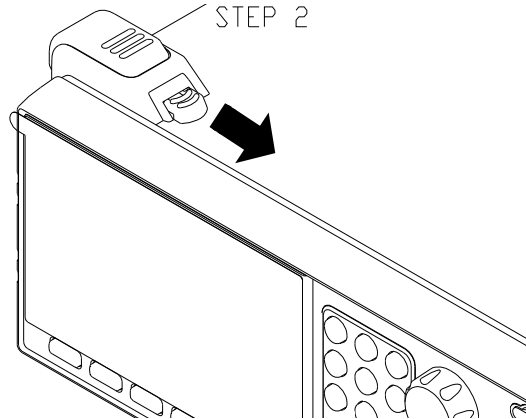
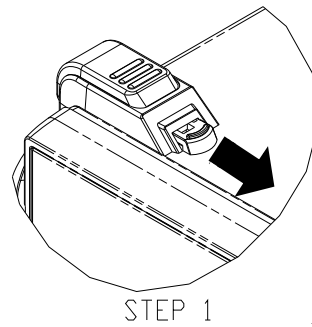
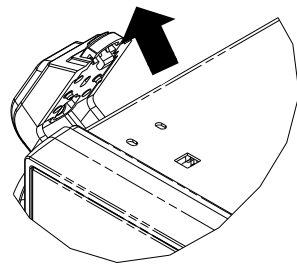
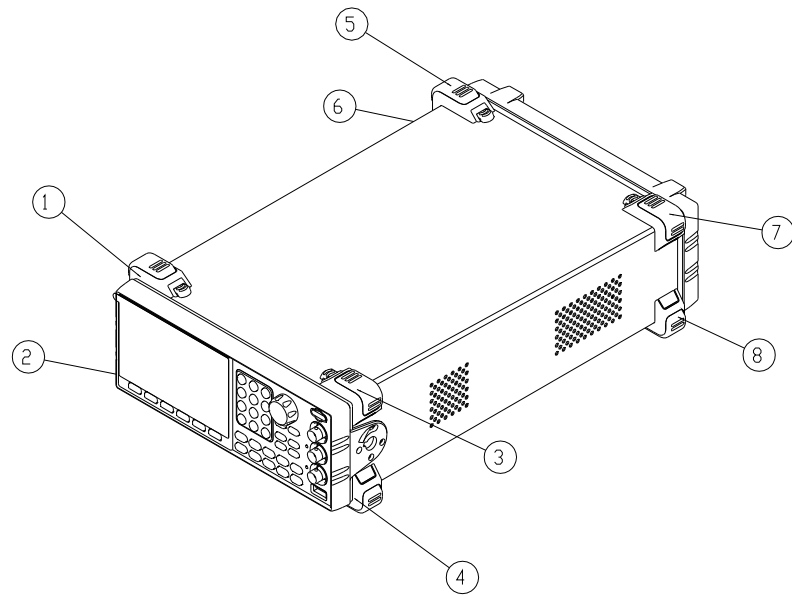
1. Position the handles as shown in the diagram below and gently move apart both sides.



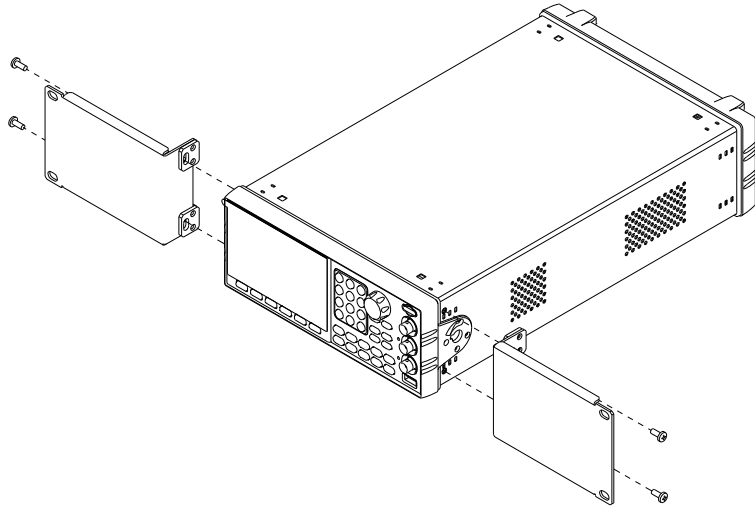
2. Remove completely the handle.



3. Remove the 8 protection feet as shown in the below diagrams and detailed in step 1 and 2.



4. Attach the two brackets (62RA-432HP101) securely to both sides of the AFG-30xx using the BMS 4*10 screws (594B-04010NS1). In order to make sure your equipment will be securely installed in a rack, only BMS 4*10 screws should be used in that rack mount installation.



Appearance

GRA-432

