

GSB-01/02

---

Multiplex Scanner Box

for GPT-9800/9900/9900A

**GW INSTEK**

Simply Reliable

GOOD WILL INSTRUMENT CO., LTD.

# GSB-01/02 Scanner Box



GSB-01

GSB-02

# GSB-01/02 Features

---

- GSB-01 (8CH High Voltage Scanner)
- GSB-02 (6CH High Voltage / 2CH Ground Bond Scanner)
- Multi-channel outputs for Withstanding Voltage, Insulation Resistance, Ground Bond tests
- High-intensity LED for Channel, Status & Judgment indications
- Front & rear input connector design is suitable for the GPT-9800/9900/9900A series
- A maximum of 4 scanner boxes (32 CH) can be connected to one GPT-9800/9900/9900A series

# GSB-01/02 Description

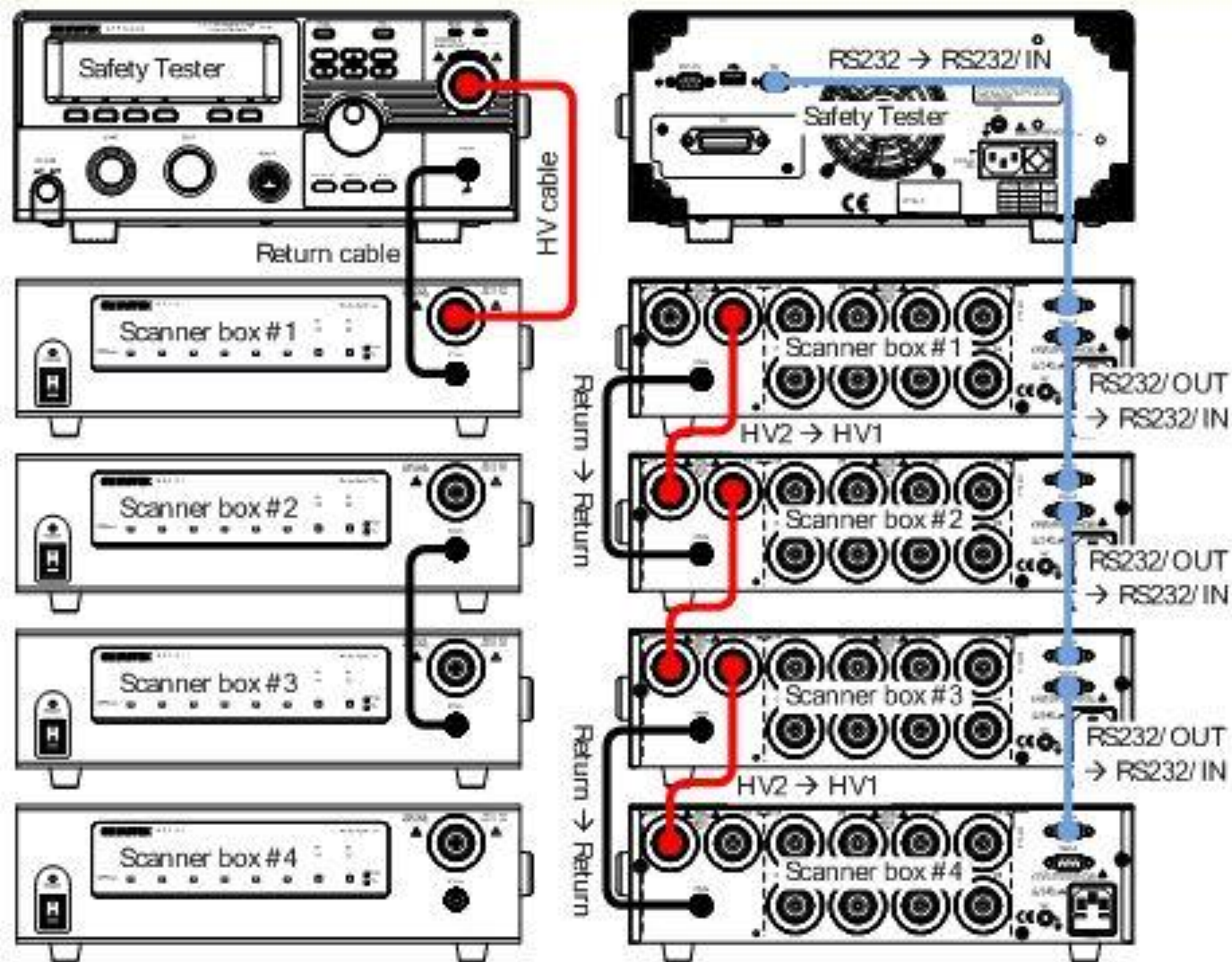
---

**A dedicated option**, multiplex scanner box, for specific safety tester series. This multiplex scanner box, GSB-01/02, has a function that distributes the test voltage or current provided by the **GPT-9800/9900/9900A** series to **multiple test points**

**One scanner** extends the output to **eight channels**. A potential of **HI, LO, or X** can be set for each channel and an AC/DC withstanding voltage or insulation resistance test can be conducted at any eight test points.

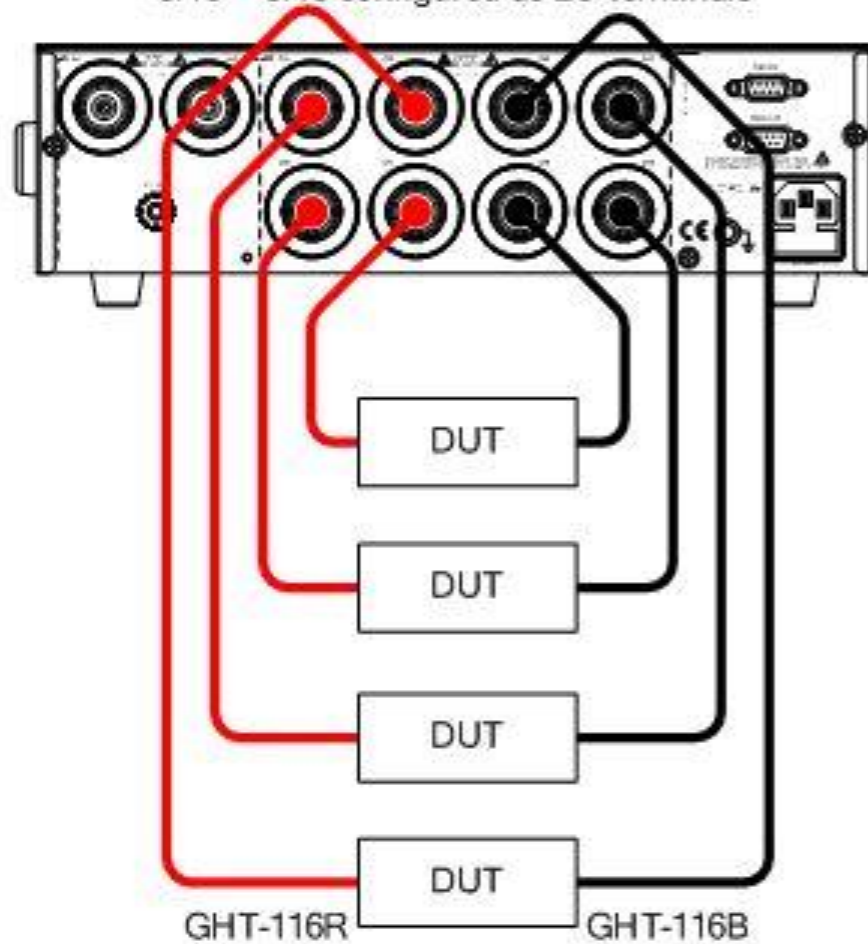
Up to **four scanners** can be connected to the tester, allowing a **maximum of 32 channels**

# GSB-01/02 Connect with GPT

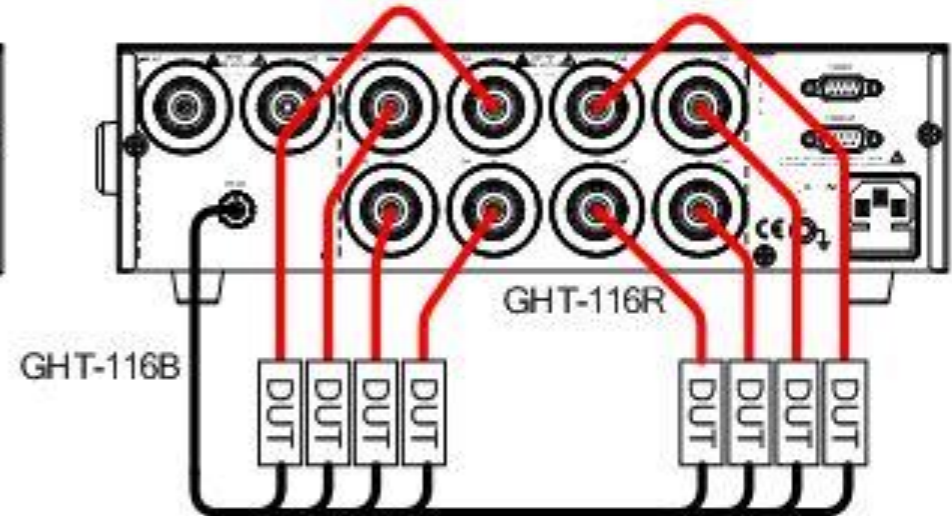


# GSB-01 Connect to DUT

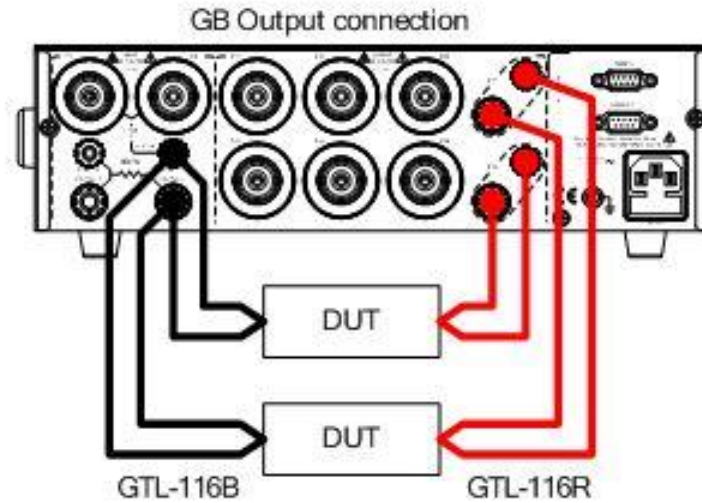
CH1 ~ CH4 configured as HI outputs  
CH5 ~ CH8 configured as LO terminals



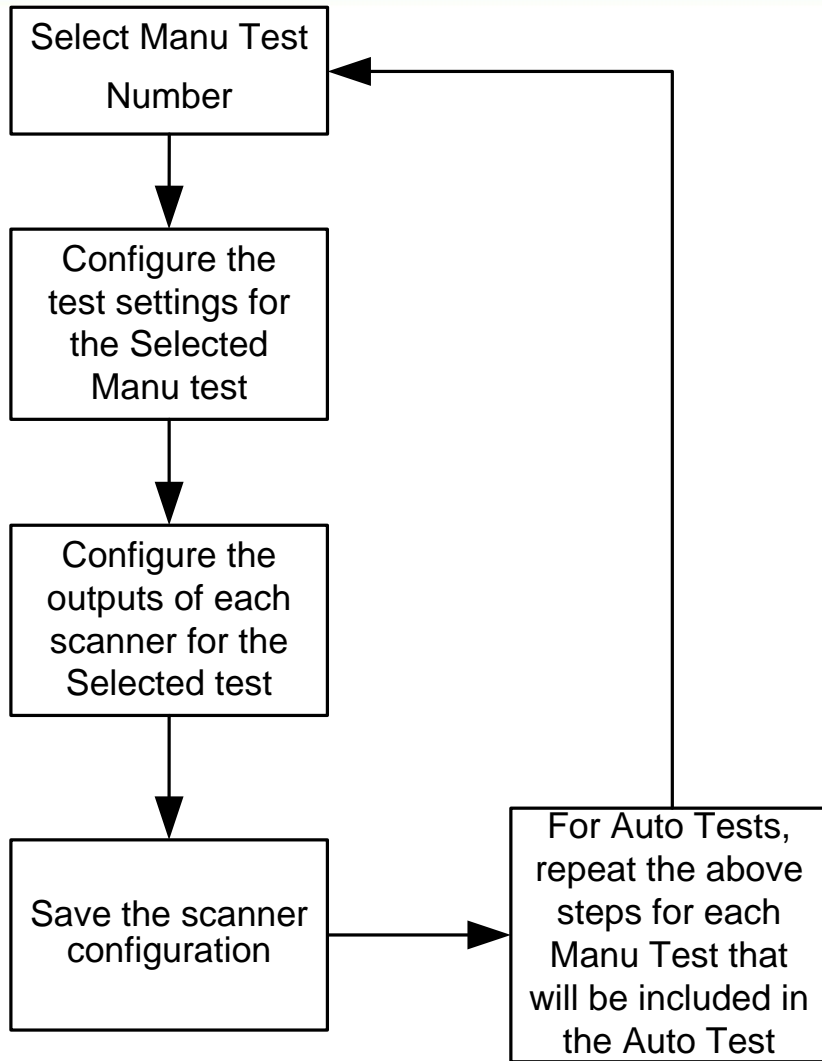
CH1 to CH8 configured as HI



# GSB-02 Connect to DUT



# Scanner Box Test Creation Workflow



Selected MANU test file number

Channel settings

Cursor

```

    MANU=***-002 CHANNEL SETTING
    ch1 ch2 ch3 ch4 ch5 ch6 ch7 ch8
    GSB-01: H H H H H H H L
    GSB-02: H H H H H H H H
    GSB-01: X X X X X X X X
    GSB-XX: X X X X X X X X
  
```

Connected scanner boxes from 1~4

Initialize

Show configuration

A channel's potential of HI, LO, or X must be set through GPT-9900/9800





*Thank You For Your  
Continuous Support*



---

# Q&A