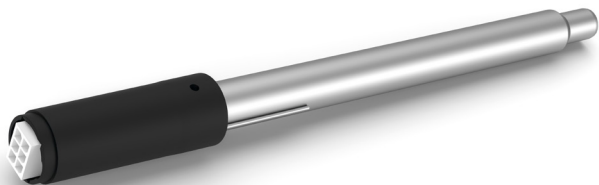


# **JBC**

[www.jbctools.com](http://www.jbctools.com)

## **INSTRUCTION MANUAL**



### **TEH**

Heating Element for TET

This manual corresponds to the following reference:

0012374

## Packing List

The following items are included:



**Heating Element  
for TET** ..... 1 unit  
*(for 100V / 120V / 230V)*



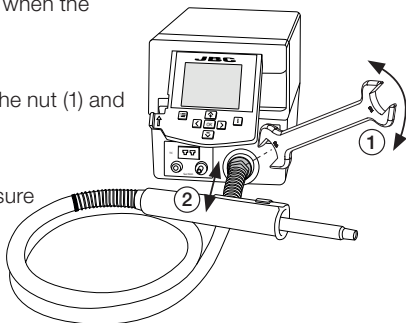
**Manual** ..... 1 unit  
Ref. 0029030

## Changing TET Heater Hose Set

Only perform this operation when the station is turned off.

Use a spanner to unscrew the nut (1) and remove the tool hose (2).

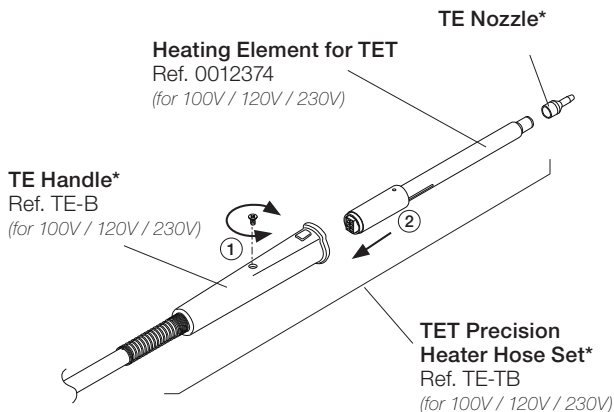
Insert the new hose, make sure it is pushed all the way into the connector (2), and tighten the nut (1).



## Features

TEH Heating Element is designed to be used with TE Handle. Both, as a set, work with JTU Control Unit and TE Nozzles.

## Replacing the Heating Element



**Note:** Only perform this operation when the heating element is cold and the unit is disconnected from the mains.

Loosen the screw (1) and pull the worn heating element out of the handle (2).

Insert the new heating element, make sure its pushed all the way in (2) and tighten the screw (1).

*\* not included, sold separately*

# Specifications

**TEH**

**Heating Element for TET**

Ref.: **0012374**

- Total Net Weight: 28 g / 0.062 lb
- Package Dimensions/Weight: 236 x 41 x 41 mm / 40 g  
(L x W x H) 9.29 x 1.61 x 1.61 in / 0.088 lb

Complies with CE standards.  
ESD safe.

# JBC

## Warranty

JBC's 2 year warranty covers this equipment against all manufacturing defects, including the replacement of defective parts and labour.

Warranty does not cover product wear or misuse.

In order for the warranty to be valid, equipment must be returned, postage paid, to the dealer where it was purchased.



This product should not be thrown in the garbage.

In accordance with the European directive 2012/19/EU, electronic equipment at the end of its life must be collected and returned to an authorized recycling facility.



[www.jbctools.com](http://www.jbctools.com)

0029030-0422