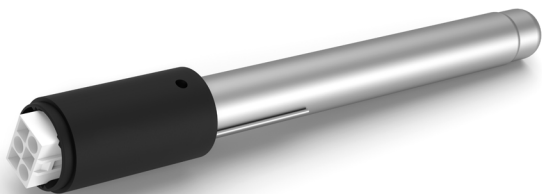


JBC

www.jbctools.com

INSTRUCTION MANUAL



JTH

Heating Element for JTT

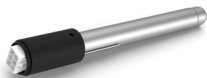
This manual corresponds to the following references:

JTH1 (100V/120V)

JTH2 (230V)

Packing List

The following items are included:



JTH
Heating Element for JTT 1 unit

according purchased reference included
either **JTH1** Ref. 0014105 (100V/120V)
or **JTH2** Ref. 0014107 (230V)

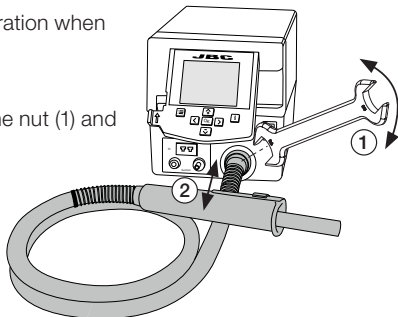
Manual 1 unit
Ref. 0029042

Changing JTT Heater Hose Set

Note: Only perform this operation when the station is turned off.

Use a spanner to unscrew the nut (1) and remove the tool hose (2).

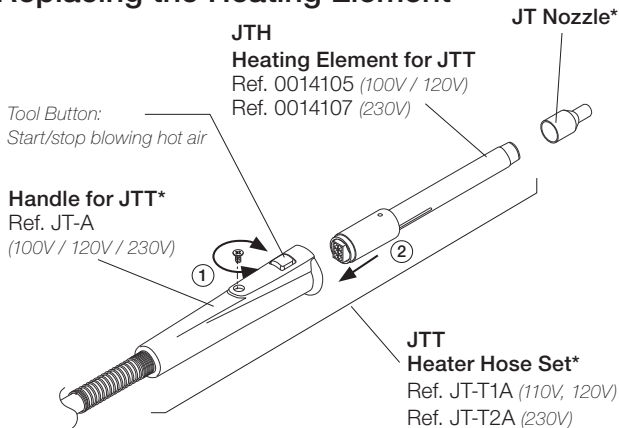
Insert the new hose, make sure it is pushed all the way into the connector (2), and tighten the nut (1).



Features

JTH1 and JTH2 Heating Elements are designed to be used with JT Handle. Both, as a set, work with JTH Control Unit and JT Nozzles.

Replacing the Heating Element



Note: Only perform this operation when the heating element is cold and the unit is disconnected from the mains.

Loosen the screw (1) and pull the worn heating element out of the handle (2).

Insert the new heating element, make sure its pushed all the way in (2) and tighten the screw (1).

** not included, sold separately*

Specifications

JTH1 / JTH2

Heating Element for JTT

Ref.: **0014105** (100V/120V)

Ref.: **0014107** (230V)

- Total Net Weight: 56 g / 0.123 lb
- Package Dimensions/Weight: 236 x 41 x 41 mm / 81 g
(L x W x H) 9.29 x 1.61 x 1.61 in / 0.179 lb

Complies with CE standards.
ESD safe.

JBC

Warranty

JBC's 2 year warranty covers this equipment against all manufacturing defects, including the replacement of defective parts and labour.

Warranty does not cover product wear or misuse.

In order for the warranty to be valid, equipment must be returned, postage paid, to the dealer where it was purchased.



This product should not be thrown in the garbage.

In accordance with the European directive 2012/19/EU, electronic equipment at the end of its life must be collected and returned to an authorized recycling facility.



www.jbctools.com