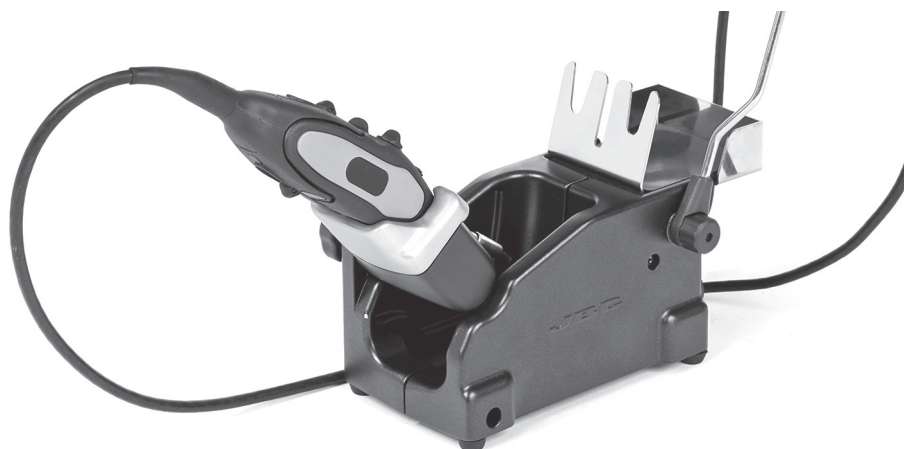


JBC

www.jbctools.com

INSTRUCTION MANUAL



Stands for Tweezers

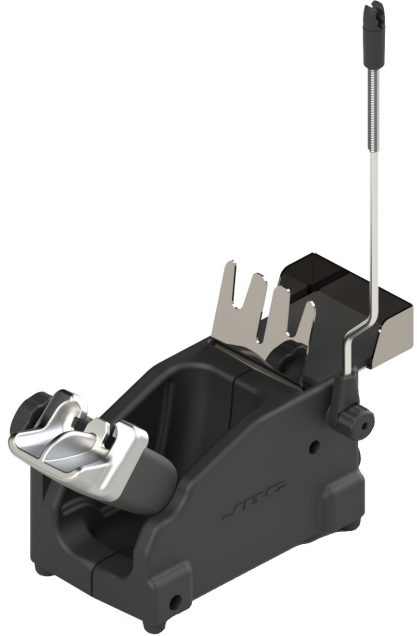
Ref. AM-SA / AT-SA

Packing List

Stand for AM120-A Micro Tweezers 1 unit
Ref. AM-SA



Stand for AT420-A Tweezers 1 unit
Ref. AT-SE

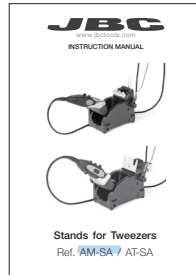


The following items are included in each stand:

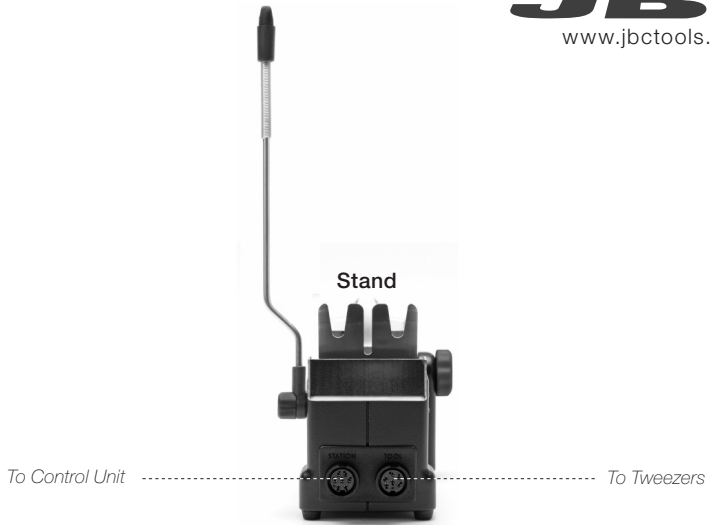
Stand Cable 1m..... 1 unit
Ref. 0011283



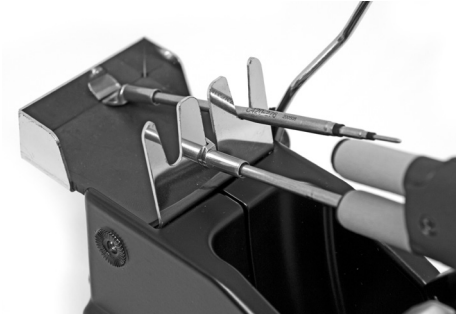
Manual 1 unit
Ref. 0022401



Features



Changing cartridges (AT-SA)



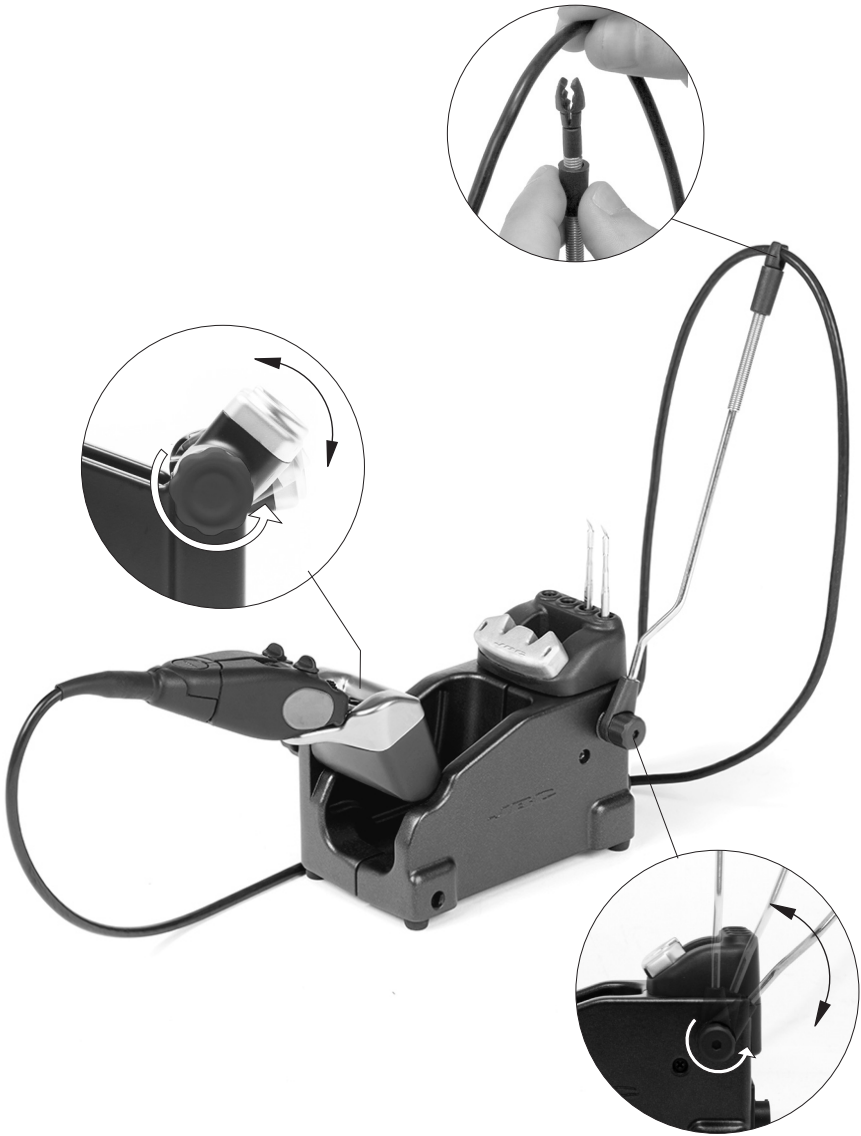
Use the extractor to remove or insert the cartridges by pulling or pushing the tips.

Make sure that the tweezers fixing knobs are previously unlocked.

AT-SA tool placement for large tips:



Assembly: Cable Collector and Adjustable Tool Holder



Changing cartridges (AM-SA)

1. Unlocking



Unlock the fixing knobs.

2. Removing



Place the cartridges in the extractor and pull the tweezers to remove them.

3. Inserting



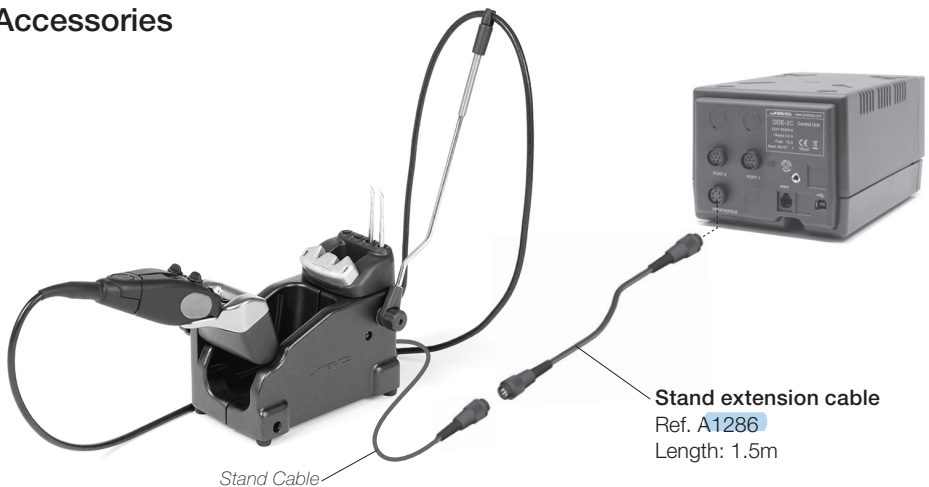
Place the tweezers on top of the new cartridge and slightly press down.

4. Fixing



Use the grooves to insert the cartridges as far as they stop.

Accessories



Stand extension cable
Ref. **A1286**
Length: 1.5m

Maintenance

Before carrying out maintenance or storage, always unplug the stand from the station and the tool.

- Use a damp cloth to clean the stand. Alcohol can be used only when cleaning the metal parts.
- Check periodically that the metal parts of the tool/stand are clean so that the station can check the tool's status.
- Periodically check all cables and tube connections.
- Replace any defective or damaged parts. Use original JBC spare parts only.
- Repairs should only be performed by a JBC authorized technical service.



Safety



It is imperative to follow safety guidelines to prevent electric shock, injury, fire or explosion.

- Do not use the units for any purpose other than soldering or rework. Incorrect use may cause fire.
- The power cord must be plugged into approved bases. Be sure that it is properly grounded before use. When unplugging it, hold the plug, not the wire.
- Do not work on electrically live parts.
- The tool should be placed in the stand when not in use in order to activate the sleep mode. The soldering tip, the metal part of the tool and the stand may still be hot even when the station is turned off. Handle with care, including when adjusting the stand position.
- Do not leave the appliance unattended when it is on.
- Do not cover the ventilation grills. Heat can cause inflammable products to ignite.
- Avoid the contact of flux with skin or eyes to prevent irritation.
- Be careful with the fumes produced when soldering.
- Keep your workplace clean and tidy. Wear appropriate protection glasses and gloves when working to avoid personal harm.
- Utmost care must be taken with liquid tin waste which can cause burns.
- This appliance can be used by children over the age of eight and also persons with reduced physical, sensory or mental capabilities or lack of experience provided that they have been given adequate supervision or instruction concerning use of the appliance and understand the hazards involved. Children must not play with the appliance.
- Maintenance must not be carried out by children unless supervised.

Specifications

AM-SA

- Includes Sleep Mode
- Net Weight 1.3 kg (2.9 lb)
- Package Weight 1.6 kg (3.5 lb)
- Package Dimensions 342 x 155 x 120 mm (13.5 x 6.1 x 4.7 in)

AT-SA

- Includes Sleep Mode
- Net Weight 1.4 kg (3.1 lb)
- Package Weight 1.7 kg (3.7 lb)
- Package Dimensions 342 x 155 x 120 mm (13.5 x 6.1 x 4.7 in)

Complies with CE standards
ESD Safe

JBC

Warranty

JBC's two-year warranty covers this equipment against all manufacturing defects, including the replacement of defective parts and labour. Warranty does not cover product wear or misuse. In order for the warranty to be valid, equipment must be returned, postage paid, to the dealer where it was purchased.

Register your warranty within 30 days of purchase in www.jbctools.com/productregistration



This product should not be thrown in the garbage.

In accordance with the European directive 2012/19/EU, electronic equipment at the end of its life must be collected and returned to an authorized recycling facility.



Manuals in other languages are available on our website

www.jbctools.com