

JBC

www.jbctools.com



Auto-Feed Soldering Station

Ref. AL-A

Packing List

The following items should be included:

Auto-Feed Soldering Station 1 unit
 Ref. AL-1A (120V)
 AL-2A (230V)
 AL-9A (100V)



Stand 1 unit
 Ref. AL-SD



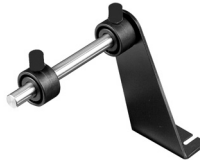
Auto-Feed Iron 1 unit
 Ref. AL250-B
Includes: C250403 Cartridge Guide
 Ref. 0002401
 Ø 0,9 - 1 mm
 (0.035 - 0.04 in)



ESD Tip Cleaner 1 unit
 Ref. CL8499



Solder Reel Stand 1 unit
 Ref. 008745



Metal Brush 1 unit
 Ref. CL6217



Sponge 1 unit
 Ref. S0354



Allen Key 2.5mm 1 unit
 Ref. 0780493



Power Cord 1 unit
 Ref. 0009417 (100V/120V)
 0009401 (230V)

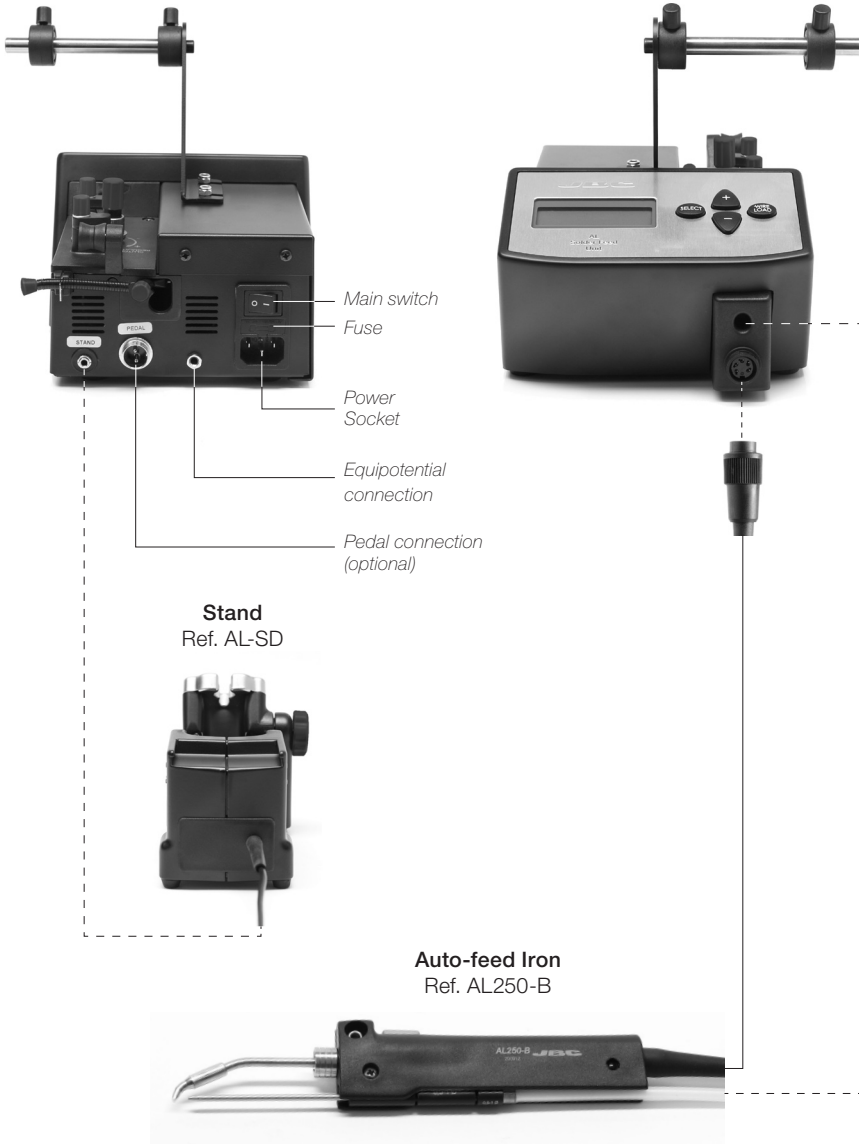


Manual 1 unit
 Ref. 0020485

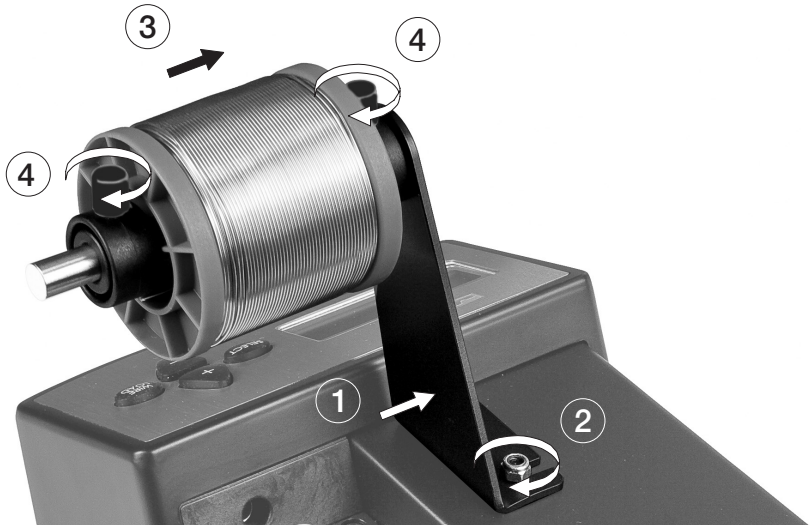


Check our website for the corresponding manuals. Also available in other languages.

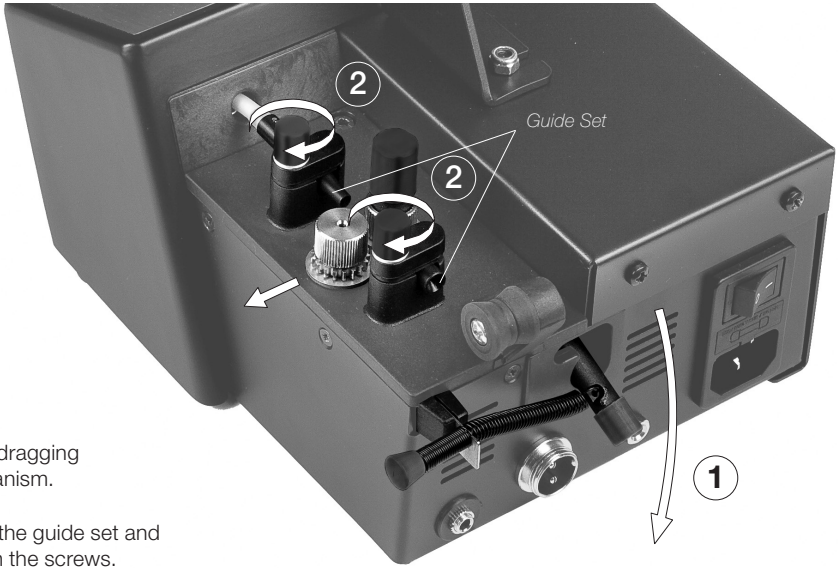
Features



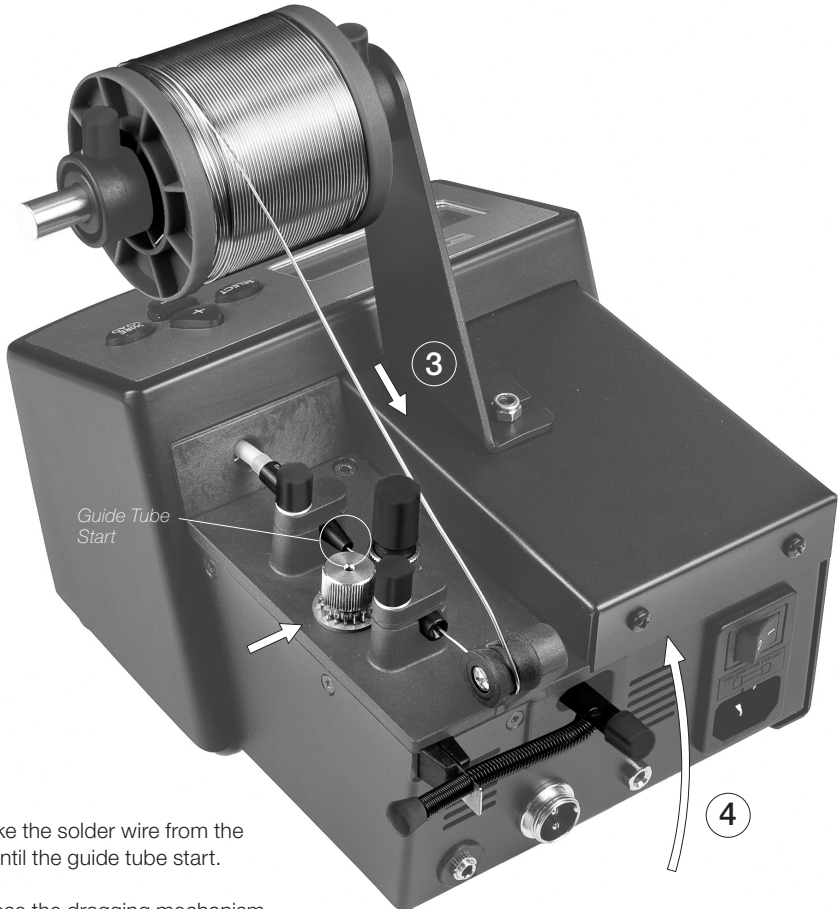
Reel Stand Assembly



Adjusting System Assembly



- 1. Open dragging mechanism.
- 2. Place the guide set and tighten the screws.

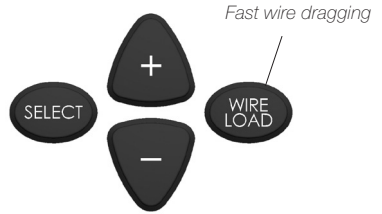


3. Take the solder wire from the reel until the guide tube start.

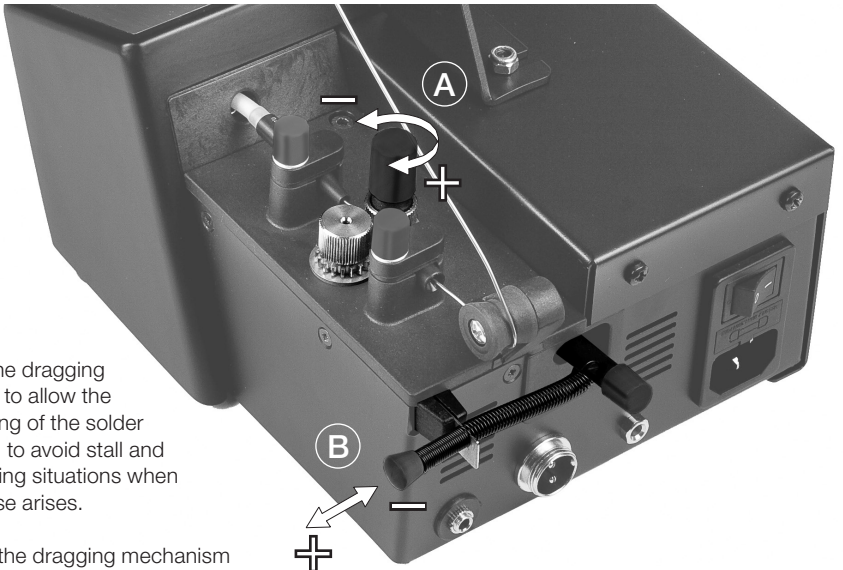
4. Close the dragging mechanism.

5. Connect the handpiece to the station and switch it on. With the handpiece out of the stand, press the WIRE LOAD key till the solder leaves by the end of the guide tube.

LOADING SOLDER WIRE

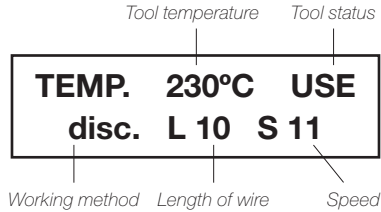


Clutch Regulation



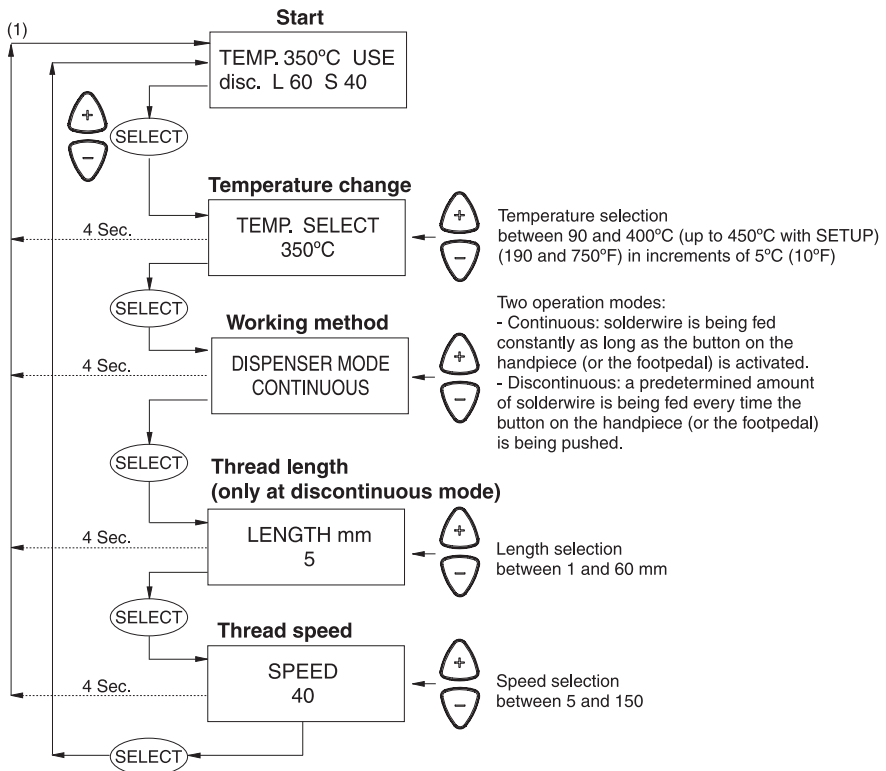
- A. Adjust the dragging strength to allow the forwarding of the solder wire and to avoid stall and or clogging situations when any cause arises.
- B. Tighten the dragging mechanism

Control Screen



There are 4 tool status:

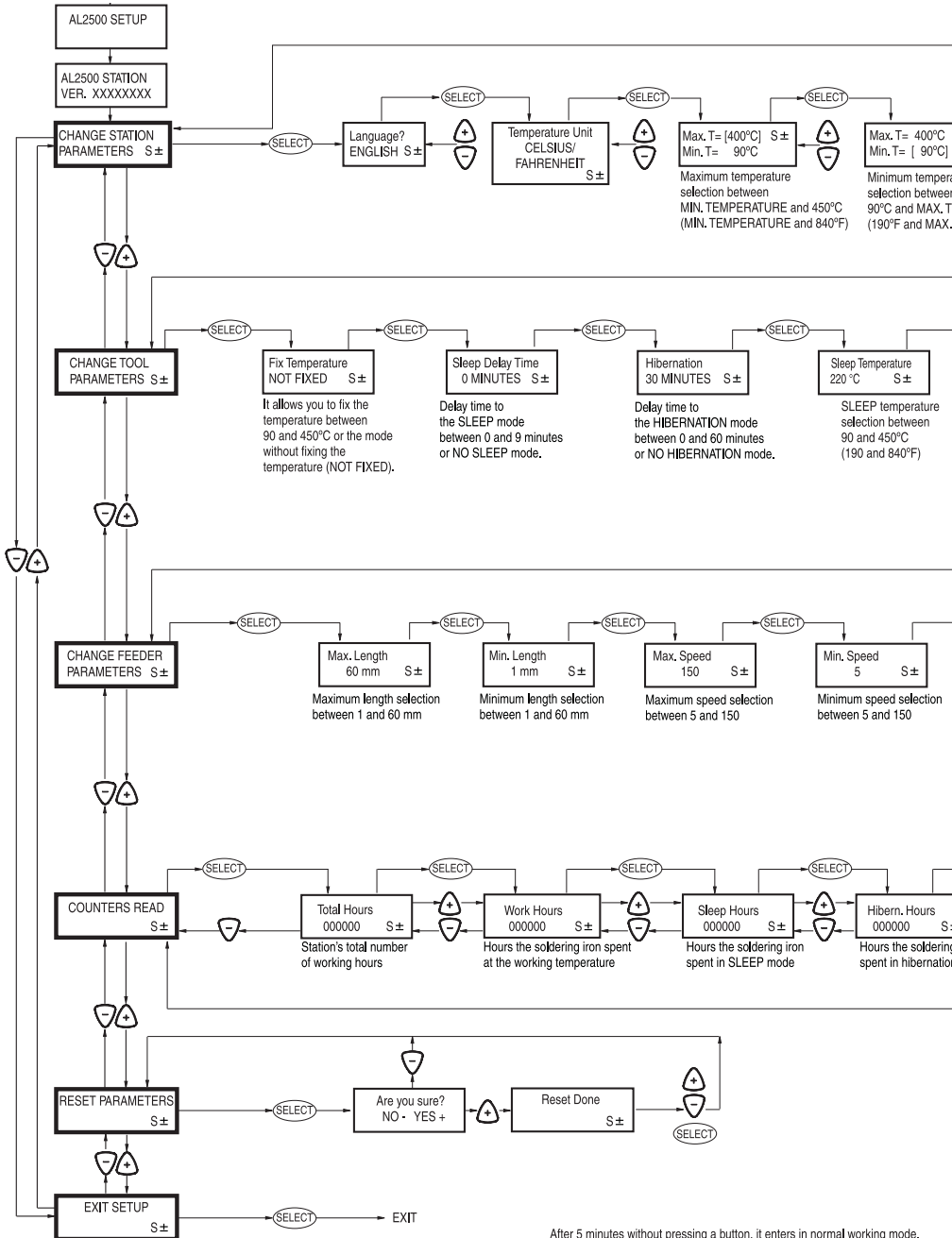
- USE (Use).** The tool is ready to work.
- STD (Stand).** The tool is placed in the stand but still not in the sleep mode.
- SLP (Sleep).** The tool is in the sleep mode in the stand, its temperature has dropped till the sleep temperature.
- OL.** The power circuit is overheated. The power is temporarily not supplied.



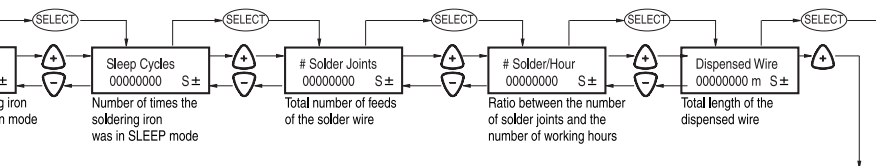
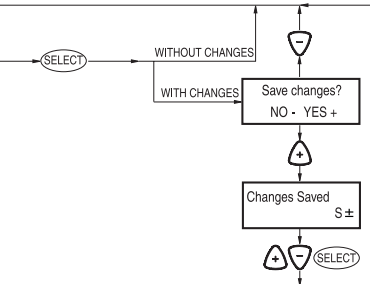
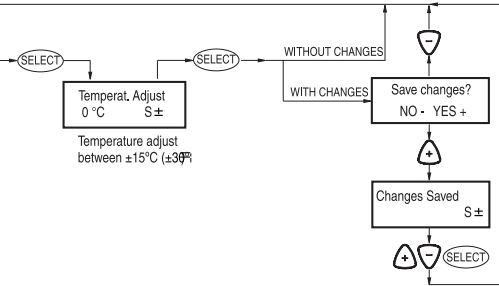
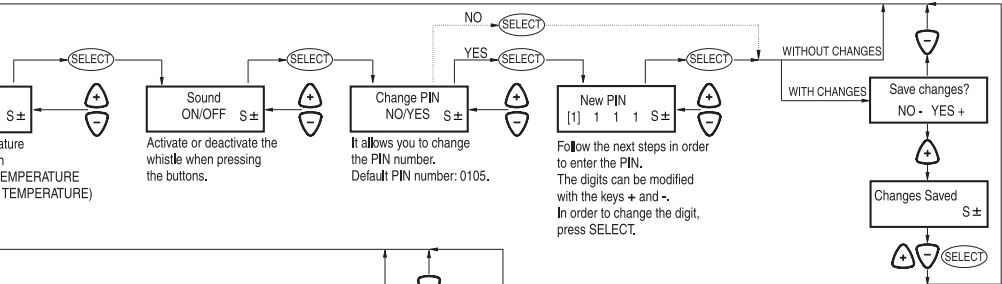
(1) After 4 seconds without pushing buttons, initial screen will be displayed.

Parameters Modification of the Tool and the Station

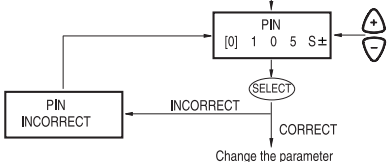
To enter into this mode, you must hold the **SELECT** key for **3 seconds**.



After 5 minutes without pressing a button, it enters in normal working mode.



The PIN number must be entered when you need to change a station parameter. Default PIN number: 0105. You will have to enter the PIN the first time you need to change a parameter as long as you don't leave the SETUP mode



Follow the next steps in order to enter the PIN. The digits can be modified with the keys + and -. In order to change the digit, press SELECT.

Maintenance

Before carrying out maintenance, always allow the equipment to cool.

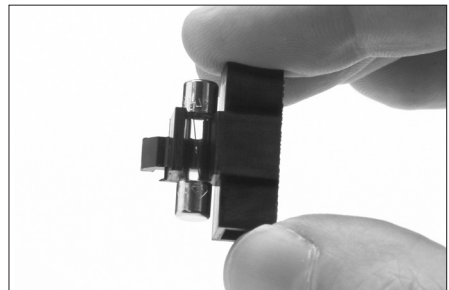
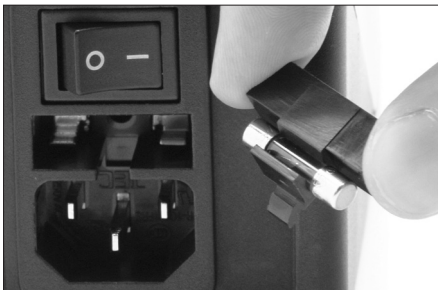
- Clean the station screen with a glass cleaner or a damp cloth.
- Use a damp cloth to clean the casing and the tool. Alcohol can only be used to clean the metal parts.
- Periodically check that the metal parts of the tool and stand are clean so that the station can detect the tool status.
- Maintain tip surface clean and tinned prior to storage in order to avoid tip oxidation. Rusty and dirty surfaces reduce heat transfer to the solder joint.
- Periodically check all cables and tubes.



- Replace a blown fuse as follows:

1. Pull off the fuse holder and remove the fuse. If necessary use a tool to lever it off.

2. Press the new fuse into the fuse holder and replace it in the station.



- Replace any defective or damaged pieces. Use original JBC spare parts only.
- Repairs should only be performed by a JBC authorized technical service.

Safety



It is imperative to follow safety guidelines to prevent electric shock, injury, fire or explosion.

- Do not use the units for any purpose other than soldering or rework. Incorrect use may cause fire.
- The power cable must be plugged into approved bases. Make sure that it is properly grounded before use. When unplugging it, hold the plug, not the wire.
- Do not work on electrically live parts.
- The tool should be placed in the stand when not in use in order to activate the sleep mode. The soldering tip, the metal part of the tool and the stand may still be hot after the station is turned off. Handle with care, including when adjusting the stand position.
- Do not leave the appliance unattended when it is on.
- Do not cover the ventilation grills. Heat can cause inflammable products to ignite.
- Avoid flux coming into contact with skin or eyes to prevent irritation.
- Be careful with the fumes produced when soldering.
- Keep your workplace clean and tidy. Wear appropriate protection glasses and gloves when working off to avoid personal harm.
- Utmost care must be taken with liquid tin waste which can cause burns.
- This appliance can be used by children over the age of eight as well as persons with reduced physical, sensory or mental capabilities or lacking experience provided that they have been given adequate supervision or instruction concerning use of the appliance and understand the hazards involved. Children must not play with the appliance.
- Maintenance must not be carried out by children unless supervised.

Specifications

AL-1A 120V 50/60Hz. Input fuse: 2A. Output: 23.5V

AL-2A 230V 50/60Hz. Input fuse: 1A. Output: 23.5V

AL-9A 100V 50/60Hz. Input fuse: 2A. Output: 23.5V

- Weight: 5,8 Kg (12.9 lb)
- Dimensions: 195 x 200 x 240 mm (7.68 x 7.87 x 9.45 in)
- Output Peak Power: 130W
- Temperature Range: 90 - 450 °C (190 - 840 °F) (±5%)
- Tip to ground resistance: <2 ohms
- Tip to ground voltage: <2mV RMS
- Ambient operating temp: 10 - 40 °C (50 - 104 °F)
- Diameter of solder wire: 0,4 - 1,8 mm (0.02 - 0.07 in)
- Capacity of solder reels: up to 2 Kg (4.41 lb)
- Wire length: 1 - 60 mm (0.04 - 2.36 in)
- Speed: 30 mm/s (max) (1.18 in (max))

Complies with CE standards.
ESD protected.

JBC

Warranty

JBC's two-year warranty covers this equipment against all manufacturing defects, including the replacement of defective parts and labour.

Warranty does not cover product wear or misuse.

In case of any manufacturing defect, the equipment must be returned, postage paid, to the dealer where it was purchased. **Please, register your product within 30 days of purchase in www.jbctools.com/productregistration.**



This product should not be thrown in the garbage.

In accordance with the European directive 2002/96/EC, electronic equipment at the end of their life must be collected and returned to an authorized recycling facility.



Manual in other languages available on our website

www.jbctools.com