

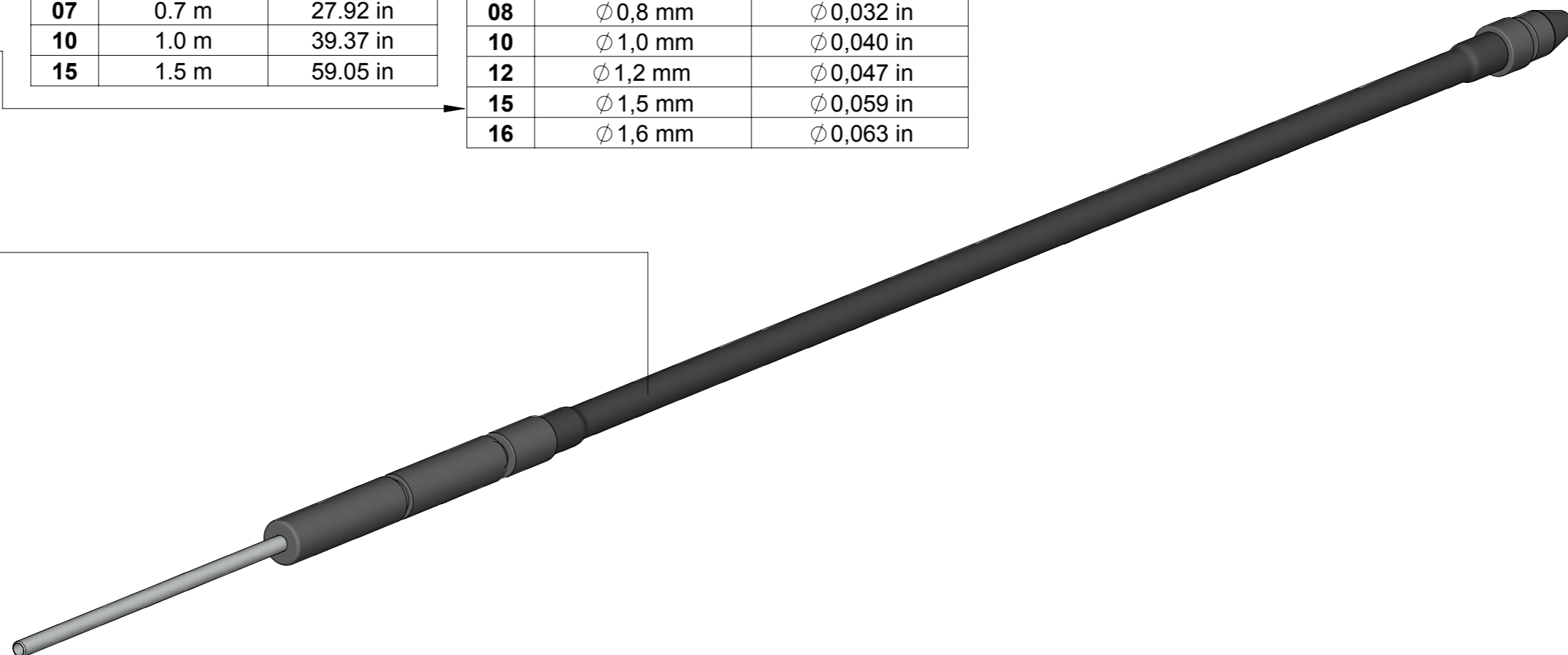
GSFR XX D LL

WITHOUT SOLDER WIRE PERFORATION

LL	Tube length	
	Length	
03	0.3 m	11.81 in
04	0.4 m	15.75 in
05	0.5 m	19.68 in
07	0.7 m	27.92 in
10	1.0 m	39.37 in
15	1.5 m	59.05 in

XX	Wire diameter	
	Range of use	
05	∅ 0,5 mm	∅ 0,020 in
06	∅ 0,6 mm	∅ 0,025 in
07	∅ 0,7 mm	∅ 0,028 in
08	∅ 0,8 mm	∅ 0,032 in
10	∅ 1,0 mm	∅ 0,040 in
12	∅ 1,2 mm	∅ 0,047 in
15	∅ 1,5 mm	∅ 0,059 in
16	∅ 1,6 mm	∅ 0,063 in

Guide kit Ref.	Guide tube Ref.*
GSFR05X03	0025340
GSFR05X07	0025341
GSFR05X10	0026825
GSFR06X03	0025342
GSFR07X03	0025343
GSFR08X03	0025344
GSFR08X05	0025345
GSFR08X10	0025346
GSFR10X03	0025347
GSFR10X07	0027013
GSFR10X10	0025348
GSFR12X03	0025349
GSFR15X03	0025351
GSFR15X05	0025353
GSFR15X10	0025354
GSFR16X03	0025355



*Tube length 30cm (X03) and 1m (X10)

	Outlet nozzle Ref.	Traction wheel Ref.	Support wheel Ref.	Inlet nozzle Ref. (for SFR-A)	Interm. nozzle Ref.	Inlet nozzle Ref. (for SFR-B)	Counter wheel Ref.	Screws Ref.	Threaded stud Ref.
GSFR05DLL	0025268	0019479	0019519	-	0024954	0025262	0026693 (Provided with SFR)	0026695 (x2)	0026696 (x3)
GSFR06DLL	0022994		0019480	-	0025293	0025295			
GSFR07DLL	0025289			0025291	0025297				
GSFR08DLL	0025270			0024955	0024876				
GSFR10DLL	0021560		0024956	0024877					
GSFR12DLL	0025272		0019481	0023740	0024957	0024878	0026694		
GSFR15DLL	0025274			0023741	0024958	0026698			
GSFR16DLL	0025276			0023855	0024959	0026697			