



This manual corresponds to the following references:

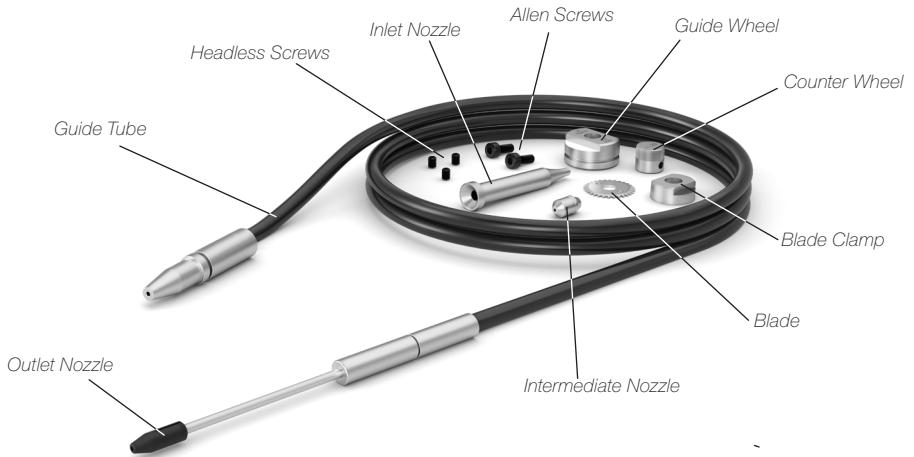
With Solder Wire Perforation:

- GSF08V-B** for wire Ø 0.8 mm / Ø 0.032 in
- GSF10V-B** for wire Ø 1.0 mm / Ø 0.040 in
- GSF12V-B** for wire Ø 1.2 mm / Ø 0.047 in
- GSF15V-B** for wire Ø 1.5 mm / Ø 0.059 in
- GSF16V-B** for wire Ø 1.6 mm / Ø 0.063 in

Without Solder Wire Perforation:

- GSF04D-B** for wire Ø 0.4 mm / Ø 0.016 in
- GSF05D-B** for wire Ø 0.5 mm / Ø 0.020 in
- GSF06D-B** for wire Ø 0.6 mm / Ø 0.025 in
- GSF08D-B** for wire Ø 0.7 - 0.8 mm / Ø 0.028 - 0.032 in
- GSF10D-B** for wire Ø 0.9 - 1.0 mm / Ø 0.035 - 0.040 in
- GSF12D-B** for wire Ø 1.1 - 1.2 mm / Ø 0.043 - 0.047 in
- GSF15D-B** for wire Ø 1.3 - 1.5 mm / Ø 0.051 - 0.059 in
- GSF16D-B** for wire Ø 1.6 mm / Ø 0.063 in

## GSF Guide Set for SF280 with Solder Wire Perforation



## Packing List

The following items are included:

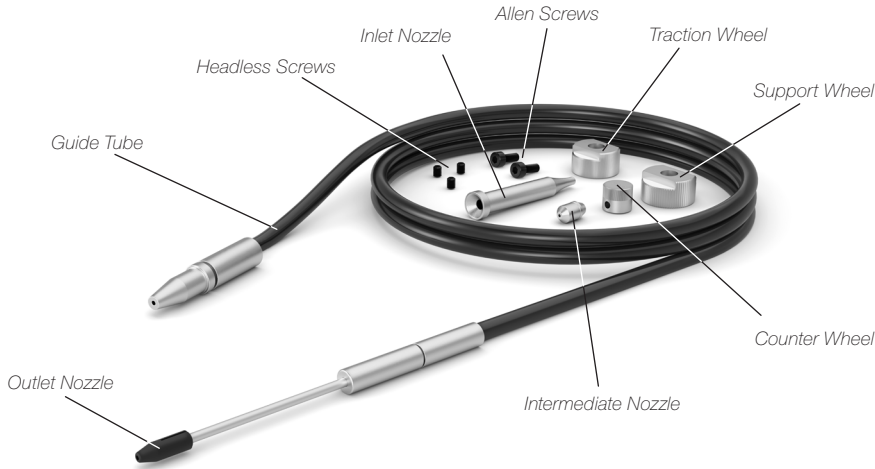
<b>Guide Tube*</b> .....	1 unit	<b>Allen Screws*</b> .....	2 units
<b>Inlet Nozzle*</b> .....	1 unit	<b>Headless Screws*</b> .....	3 units
<b>Guide Wheel*</b> .....	1 unit		
<b>Counter Wheel*</b> .....	1 unit		
<b>Blade Clamp*</b> .....	1 unit		
<b>Blade*</b> .....	1 unit		
<b>Intermediate Nozzle*</b> .....	1 unit		
<b>Outlet Nozzle*</b> .....	1 unit	<b>Manual</b> .....	1 unit

\*references see table on page 4



**Manual** ..... 1 unit  
Ref. 0028099

**GSF Guide Set for SF280 without Solder Wire Perforation**



**Packing List**

The following items are included:

<b>Guide Tube*</b> .....	1 unit
<b>Inlet Nozzle*</b> .....	1 unit
<b>Traction Wheel*</b> .....	1 unit
<b>Support Wheel*</b> .....	1 unit
<b>Counter Wheel*</b> .....	1 unit
<b>Intermediate Nozzle*</b> .....	1 unit
<b>Outlet Nozzle*</b> .....	1 unit

<b>Allen Screws*</b> .....	2 units
<b>Headless Screws*</b> .....	3 units



<b>Manual</b> .....	1 unit
---------------------	--------

\*references see table on page 5

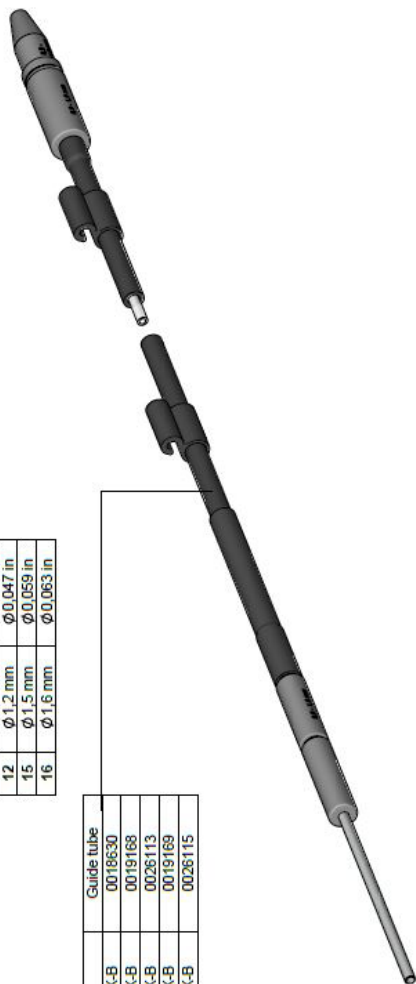
Ref. 0028099

# GSF Guide Set for SF280 with Solder Wire Perforation

## GSFXXV-B WITH SOLDER WIRE PERFORATION

XX	Wire diameter	
	Diameter of use	
08	Ø 0,8 mm	Ø 0,032 in
10	Ø 1,0 mm	Ø 0,040 in
12	Ø 1,2 mm	Ø 0,047 in
15	Ø 1,5 mm	Ø 0,059 in
16	Ø 1,6 mm	Ø 0,063 in

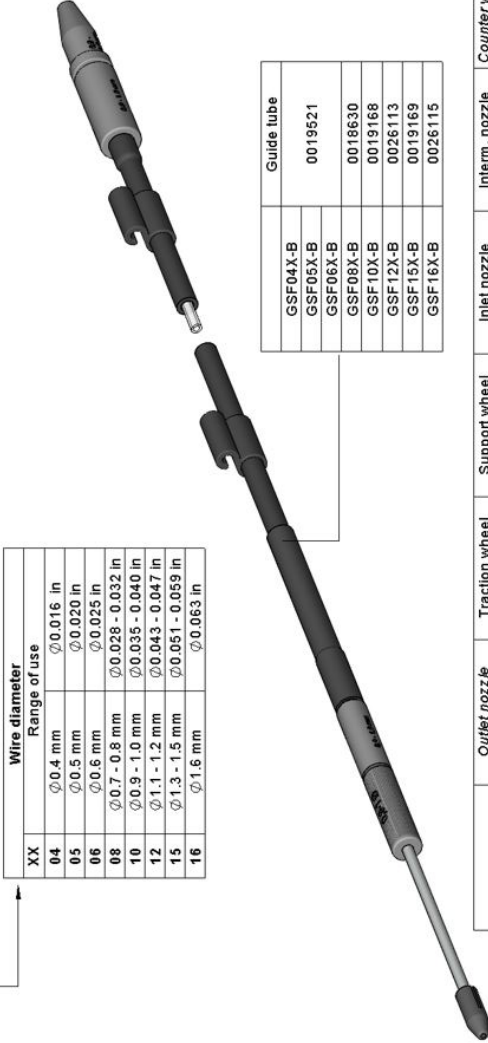
Guide tube
GSF08X-B
GSF10X-B
GSF12X-B
GSF15X-B
GSF16X-B



Wire Ø	Outlet nozzle	Guide wheel	Blade	Blade clamp	Inlet nozzle	Intern. nozzle	Counter wheel	Screws	Threaded stud
GSF08V-B	0025270	0021696	0021555	0018638	0018632	0024955	0026693 (Supplied with SF)	0026695 (x2)	0026696 (x3)
GSF10V-B	0021560	0021699			0019170	0024956			
GSF12V-B	0025272	0023738			0019171	0024957			
GSF15V-B	0025274	0025285			0024958	0026694			
GSF16V-B	0025276	0025892			0024959				

## GSF Guide Set for SF280 without Solder Wire Perforation

### GSFXXD-B WITHOUT SOLDER WIRE PERFORATION



XX	Wire diameter	
	Range of use	
04	φ0.4 mm	φ0.016 in
05	φ0.5 mm	φ0.020 in
06	φ0.6 mm	φ0.025 in
08	φ0.7 - 0.8 mm	φ0.028 - 0.032 in
10	φ0.9 - 1.0 mm	φ0.035 - 0.040 in
12	φ1.1 - 1.2 mm	φ0.043 - 0.047 in
15	φ1.3 - 1.5 mm	φ0.051 - 0.059 in
16	φ1.6 mm	φ0.063 in

Guide tube	
GSF04X-B	0019521
GSF05X-B	
GSF06X-B	
GSF08X-B	0018630
GSF10X-B	0019168
GSF12X-B	0026113
GSF15X-B	0019169
GSF16X-B	0026115

Wire Ø	Outlet nozzle	Traction wheel	Support wheel	Inlet nozzle	Interm. nozzle	Counter/wheel	Screws	Threaded stud
GSF04D-B	0025268	0019479	0020345	0019520	0024954	0026693 (Supplied with SF)	0026695 (x2)	0026696 (x3)
GSF05D-B	0022994		0019519		0025293			
GSF06D-B	0025270		0019480	0018632	0024955			
GSF08D-B	0021560			0019170	0024956			
GSF10D-B	0025272			0019171	0024957			
GSF12D-B	0025274			0024234	0024958			
GSF15D-B	0025276			0024959				

# Changing Guide Kits

## Changing Wheels and Blade

For this operation, disconnect the device from the mains. Disconnect the tool from the control unit and open its cover.

First disassemble the guide tube (6), the nozzles (2)+(3), then the Wheels, Blade and Clamp (4)+(5). Disassemble the Counter Wheel (1). Use the allen key and the spanner, provided with the station.

### Assembly with Solder Wire Perforation

Assemble the counter wheel (1).

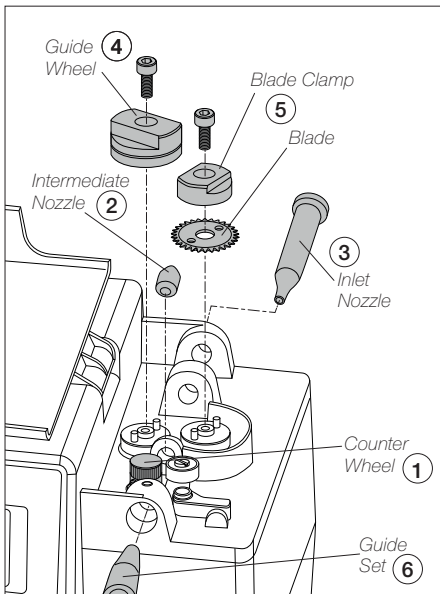
Insert the intermediate nozzle (2) until its collar rests against the housing and tighten the screw.

Assemble the inlet nozzle (3).

Assemble the guide wheel (4) and tighten the screw.

Assemble the blade first, then mount the blade clamp (5) onto the same axis and tighten the screw. **Caution:** handle the blade carefully to avoid injury.

Insert the guide set (6).



### Assembly without Solder Wire Perforation

Assemble the counter wheel (1).

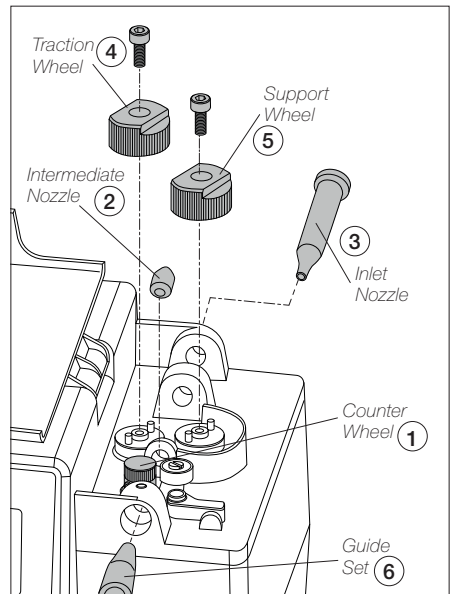
Insert the intermediate nozzle (2) until its collar rests against the housing and tighten the screw.

Assemble the inlet nozzle (3).

Assemble the traction wheel (4) onto the axis and tighten the screw.

Assemble the support wheel (5) and tighten the screw.

Insert the guide set (6).



## Replacing the Guide Tube

Once the tool is disconnected from the control unit follow the instructions below:

Disassemble the outlet nozzle (1) from the guide tube.

Open the guide clamp (2), take off the guide tube (3) and insert the new one.

**Note:** The guide tube length can be easily adjusted (4) when the guide clamp knob (2) is open.

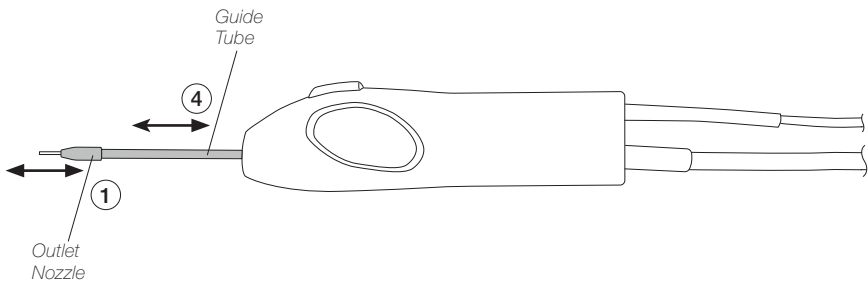
Once the guide tube length is adjusted close the guide clamp knob (2).

Assemble the outlet nozzle (1) onto the guide tube tip.

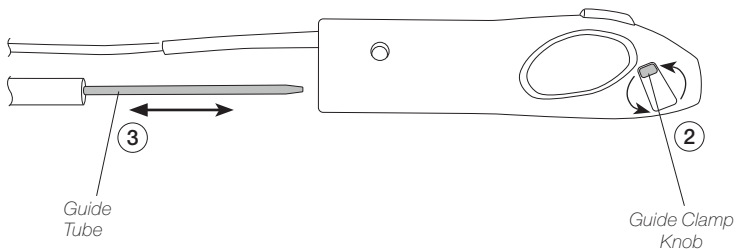
Enter en "Tool Settings" at the SF control unit main menu and select the proper wire diameter.



## SF with Guide Tube assembled



## SF with no Guide Tube assembled

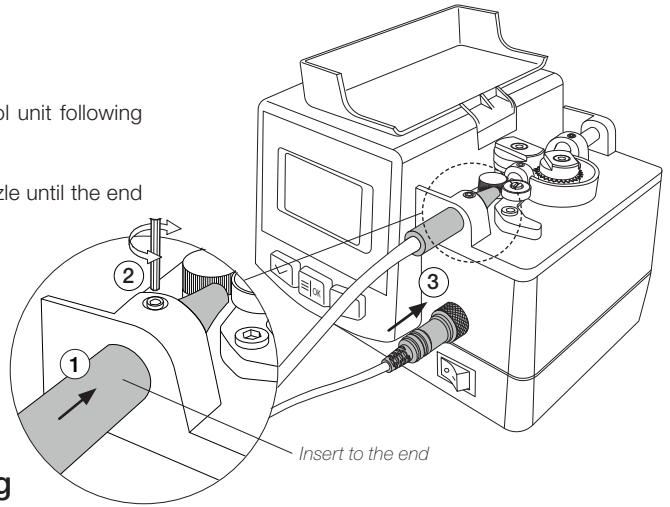


# Tool Assembly

Connect the tool to the control unit following this steps:

Insert and push the guide nozzle until the end (1) and tighten the screw (2).

Connect the jack (3).

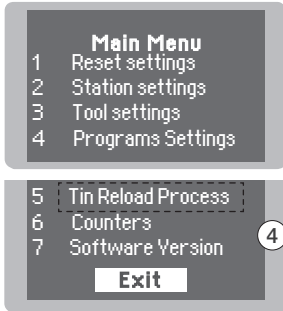



# Solder Wire Loading

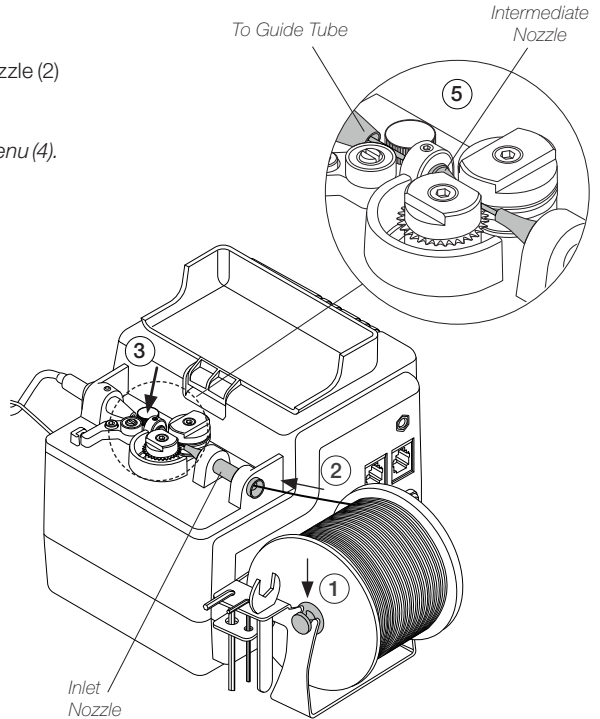
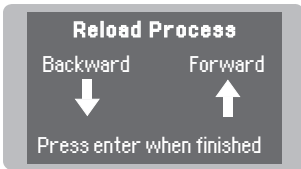
Put the solder reel into its support (1).

Introduce the solder wire into the inlet nozzle (2) until it reaches the wheels (3).

Use the *Tin Reload Process* in the *Main Menu* (4).



The Reload Process screen opens. Press  to start the process.



Make sure the wire passes through the Intermediate Nozzle and enters into the Guide Tube (5).







## Specifications

**GSF****Guide Kits for SF280**

## With Perforation:

Ref.: **GSF08V-B** wire  $\varnothing$  0.8 mm /  $\varnothing$  0.032 in  
 Ref.: **GSF10V-B** wire  $\varnothing$  1.0 mm /  $\varnothing$  0.040 in  
 Ref.: **GSF12V-B** wire  $\varnothing$  1.2 mm /  $\varnothing$  0.047 in  
 Ref.: **GSF15V-B** wire  $\varnothing$  1.5 mm /  $\varnothing$  0.059 in  
 Ref.: **GSF16V-B** wire  $\varnothing$  1.6 mm /  $\varnothing$  0.063 in

## Total Net Weight:

## Package Weight:

108 g / 0.24 lb  
 108 g / 0.24 lb  
 94 g / 0.21 lb  
 94 g / 0.21 lb  
 94 g / 0.21 lb

200 g / 0.44 lb  
 200 g / 0.44 lb  
 186 g / 0.41 lb  
 186 g / 0.41 lb  
 186 g / 0.41 lb

## Without Perforation:

Ref.: **GSF04D-B** wire  $\varnothing$  0.4 mm /  $\varnothing$  0.016 in  
 Ref.: **GSF05D-B** wire  $\varnothing$  0.5 mm /  $\varnothing$  0.020 in  
 Ref.: **GSF08D-B** wire  $\varnothing$  0.7 - 0.8 mm /  $\varnothing$  0.028 - 0.032 in  
 Ref.: **GSF10D-B** wire  $\varnothing$  0.9 - 1.0 mm /  $\varnothing$  0.035 - 0.040 in  
 Ref.: **GSF12D-B** wire  $\varnothing$  1.1 - 1.2 mm /  $\varnothing$  0.043 - 0.047 in  
 Ref.: **GSF15D-B** wire  $\varnothing$  1.3 - 1.5 mm /  $\varnothing$  0.051 - 0.059 in  
 Ref.: **GSF16D-B** wire  $\varnothing$  1.6 mm /  $\varnothing$  0.063 in

104 g / 0.23 lb  
 104 g / 0.23 lb  
 104 g / 0.23 lb  
 104 g / 0.23 lb  
 90 g / 0.20 lb  
 90 g / 0.20 lb  
 90 g / 0.20 lb

196 g / 0.43 lb  
 196 g / 0.43 lb  
 196 g / 0.43 lb  
 196 g / 0.43 lb  
 182 g / 0.40 lb  
 182 g / 0.40 lb  
 182 g / 0.40 lb

- Guide Tube Length: 126 cm / 49.6 in

- Package Dimensions: 245 x 185 x 45 mm  
 (L x W x H) 9.65 x 7.28 x 1.77 in

Complies with CE standards.  
 ESD safe

# JBC

---

## Warranty

JBC's 2 year warranty covers this equipment against all manufacturing defects, including the replacement of defective parts and labour.

Warranty does not cover product wear or misuse.

In order for the warranty to be valid, equipment must be returned, postage paid, to the dealer where it was purchased.

**Get 1 extra year JBC warranty by registering here:**

**<https://www.jbctools.com/productregistration/>  
within 30 days of purchase.**

---



This product should not be thrown in the garbage.

In accordance with the European directive 2012/19/EU, electronic equipment at the end of its life must be collected and returned to an authorized recycling facility.



[www.jbctools.com](http://www.jbctools.com)