

JBC

www.jbctools.com

INSTRUCTION MANUAL



Tip Cleaner for Automation

Ref. CLMR-A

Packing List

The following items should be included:

Tip Cleaner for Automation 1 unit
Ref. CLMR-A

Metal Brushes 1 unit
Ref. CLMU-A8
(2 brushes)

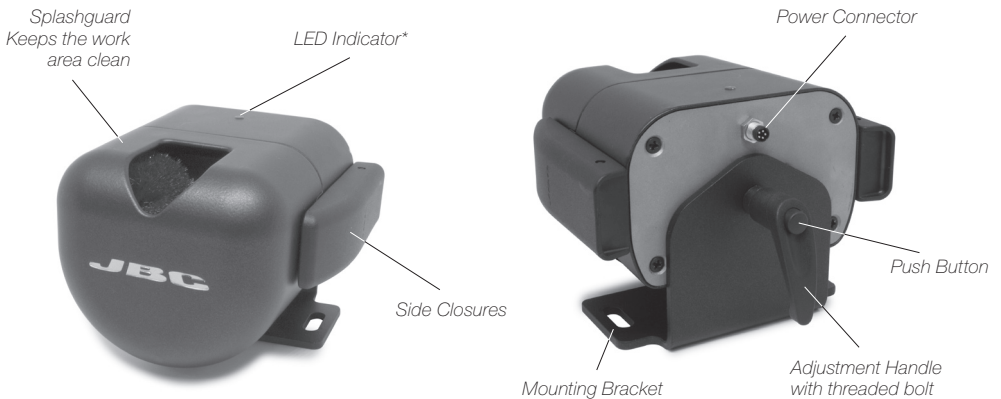
Connector Cable (3m)..... 1 unit
Ref. 0020261

Manual 1 unit
Ref. 0020354



Features

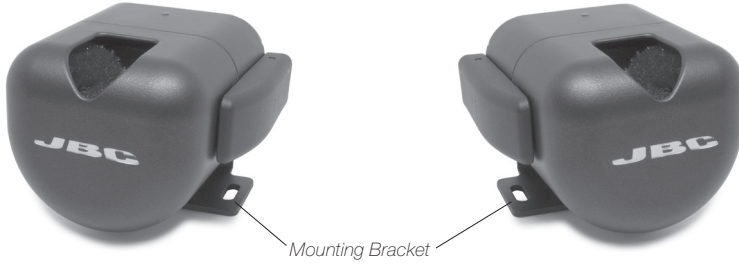
The CLMR is an automatic tip cleaner with two motorized brushes. It features a large-capacity collecting container with easy extraction and a wide opening for easy access to the soldering tip.



* Blue: Connected / Green: Working / Red (blinking): Blocked (Tip too large or depth limit is exceeded)

Assembly

The CMRL comes with lateral Mounting Brackets, to fix them at the robot work place area. Use **DIN912 M6** screws to attach it.

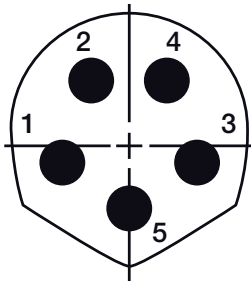


Connection

- The CLMR can be connected to a PLC by a five-pin connector cable.
- The connector provides “switch” input and power supply.
- The input switch manages the cleaner’s activity. It can be connected to a PLC’s digital output and accepts PNP, NPN or relay contacts.



For detailed information about pin distribution see following table:



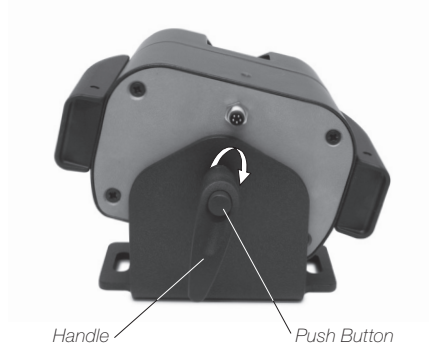
Front view
CLMR Power Connector

Power Connector		
Pin	Color	Description
1	Brown	Power supply input: 24Vdc (±5%). 2.5A current required.
2	White	Not used
3	Blue	Common reference: GND for power supply and switch.
4	Black	Switch input: 0V or 24V to start cleaning. Leave it open to stop.
5	Grey	Not used

Work Position Adjustment

The CLMR can be turned up to 35° in both directions to facilitate the cartridge tip's insertion.

To pivot the CLMR, loosen and tighten the handle to turning it. The Handle can be aligned vertically again by pressing the Push Button.



Accessories: Brush Ranges

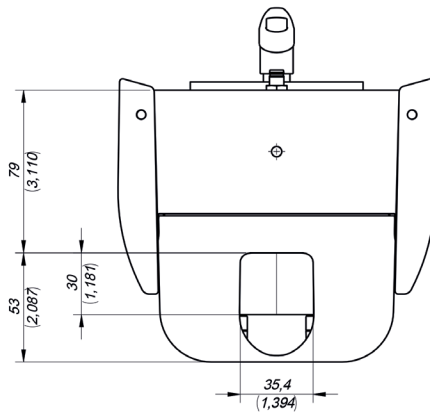
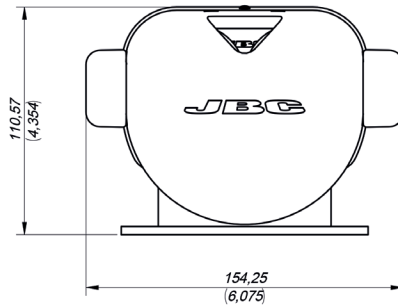
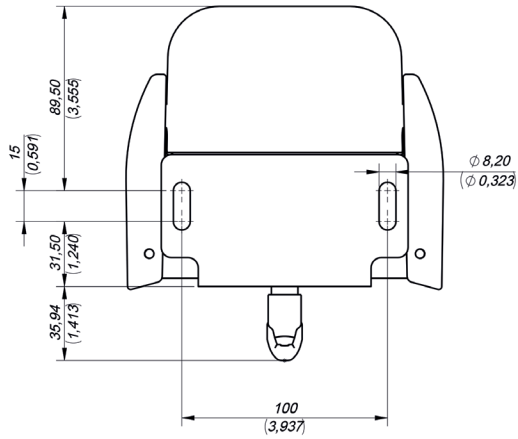
All brushes are offered with black and blue core, to distinguish them when doing lead-free and leaded soldering.

The non-metal brushes have a longer lifespan than metal brushes.*

	CLMU-A8	CLMU-A7	CLMU-P1	CLMU-P7
Material	Metal	Metal	Non-metal	Non-metal
Cleaning	Intensive	Intensive	Gentle	Gentle
Max. time use	10 s	10 s	5 s	5 s
Recommended time use	1-2 s	1-2 s	1-2 s	1-2 s
Life cycle	Long	Long	Extended*	Extended*
Core	Black	Blue	Black	Blue

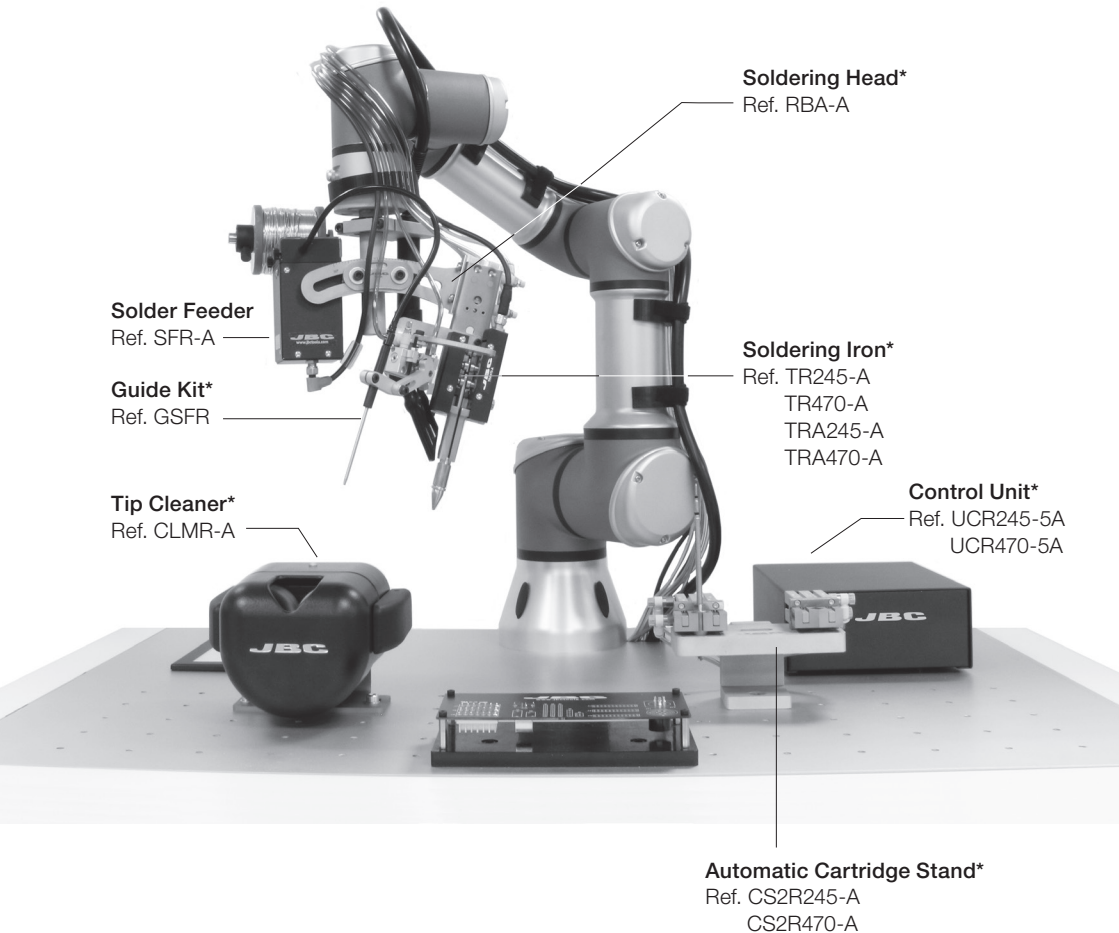
*Only use the non-metal brushes when they are rotating. Incorrect use will damage them.

Dimensions



$\frac{mm}{(in)}$

Work Place Example



**Not included, sold separately*

Maintenance

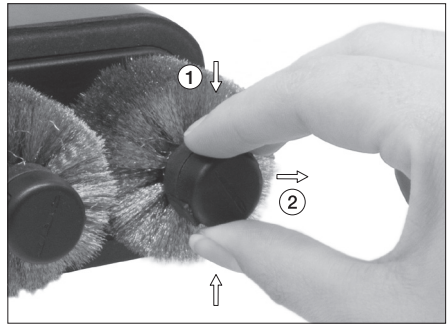
Changing Brushes

Easily replace brushes and clean the solder collector tray as follows:

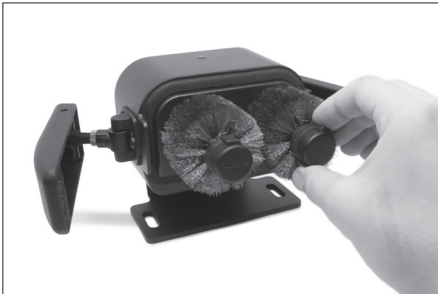
1. Unplug the CLMR from the mains and open the side closures.



2. Remove the Splashguard and press the brush's buttons (1) to remove them (2).



3. Align the brush axis with the motor axis and insert the brushes. Push them in until a click is heard. Check if the brushes are properly affixed.



4. The Splashguard also works as a tin collector. Clean it and place it back in its position.



- Before carrying out maintenance or storage, unplug the equipment from the mains supply.
- Use a damp cloth to clean the splashguard outside and inside.
- Keep the brushes clean and replace them when necessary.
- Replace any defective or damaged parts. Use original JBC spare parts only.
- Repairs should be performed only by a JBC authorized technical service.



Safety



It is imperative to follow safety guidelines to prevent electric shock, injury, fire or explosion.

- Do not use the appliance for any purpose other than tip cleaning. It is not a tool stand.
- Do not leave the appliance unattended when it is on.
- Avoid contact when brushes are rotating.
- You must turn the device off before changing the brushes.
- Keep your workplace clean and tidy. Wear appropriate protection glasses and gloves when working to avoid personal injury.
- Utmost care must be taken with liquid tin waste which can cause burns.
- Heat can cause inflammable products to ignite even when not visible.
- Be careful with the fumes produced when soldering.

Specifications

- Net Weight: 2,7 kg (5.9 lb)
- Dimensions: 137 x 153 x 110 mm (5.4 x 6.0 x 4.3 in)
- Brush diameter: 50 mm (2.0 in)

Complies with CE standards.
ESD protected.

JBC

Warranty

JBC's two-year warranty covers this equipment against all manufacturing defects, including the replacement of defective parts and labour.

Warranty does not cover product wear or misuse.

In case of any manufacturing defect, the equipment must be returned, postage paid, to the dealer where it was purchased. **Please, register your product within 30 days of purchase in www.jbctools.com/productregistration.**



This product should not be thrown in the garbage.

In accordance with the European directive 2002/96/EC, electronic equipment at the end of their life must be collected and returned to an authorized recycling facility.



Manual in other languages available on our website

www.jbctools.com