

JBC

www.jbctools.com

INSTRUCTION MANUAL

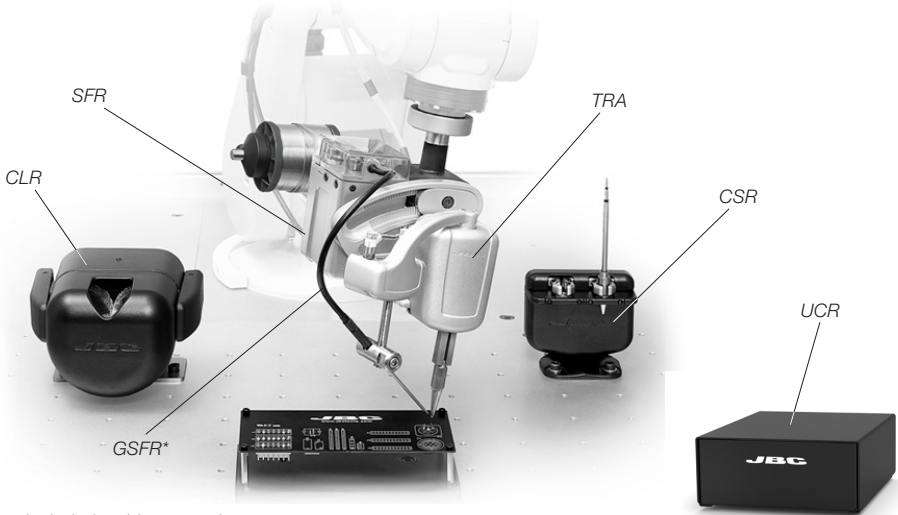


HA

Soldering Unit for Robot

This manual corresponds to the following references:

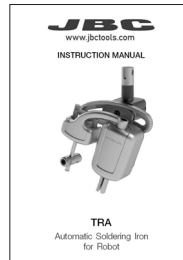
- HA245A-5B works with R245 cartridges
- HA470A-5B works with R470 cartridges



*not included, sold separately

Packing List

Either Ref. TRA245-B or Ref. TRA470-B is included in TRA box.



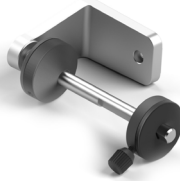
Automatic Soldering Iron for Robot 1 unit

Manual 1 unit
Ref. 0027874

The following items are included in SFR box (Ref. SFR-B):



Solder Feeder for Robot 1 unit



Reel Support 1 unit
Ref. 0024561



Communications Cable 3 m..... 1 unit
Ref. 0024563



Allen Key 1,5 mm 1 unit
Ref. 0741610



Allen Key 2,5 mm 1 unit
Ref. 0012574



Allen Key 3 mm 1 unit
Ref. 0013609



Screws DIN 912 M4x65 2 units
Ref. 0024552



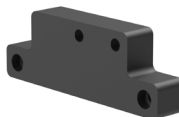
Screws DIN 912 M4x20 2 units
Ref. 0921890



Screws DIN 7991 M4x10 1 unit
Ref. 0490180



Spanner 10 mm 1 unit
Ref. 0017631



Insulator 1 unit
Ref. 0024588



Manual 1 unit
Ref. 0027875

Either Ref. UCR245-5A or Ref. UCR470-5A is included in UCR box:



Control Box for Robot 1 unit



Power Cord 1.5m 1 unit
Ref. 0023714 (230 V)



Tool Cable 3m 1 unit
Ref. 0027924



Communications Cable 3m 1 unit
Ref. 0024563



Manual 1 unit
Ref. 0027876

Either Ref. CS2R245-B or Ref. CS2R470-B is included in CSR box:



Cartridge Stand for Robot 1 unit



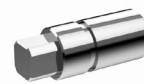
Screw 2 unit
DIN 912 M6x20
Ref. 0842925



Washer 2 unit
DIN 125 Ø6.4 mm INOX
Ref. 0919480



Upper Center Jig 1 unit
Ref. 0023652 for CS2R245-B
Ref. 0023625 for CS2R470-B



Lower Center Jig 1 unit
Ref. 0023626 for CS2R245-B
Ref. 0023648 for CS2R470-B



Manual 1 unit
Ref. 0027877

The following items are included in the CLR box (Ref. CLMR-A)



Tip Cleaner for Robot 1 unit



Metal Brushes 1 unit
Ref. CLMU-A8
(2 brushes)

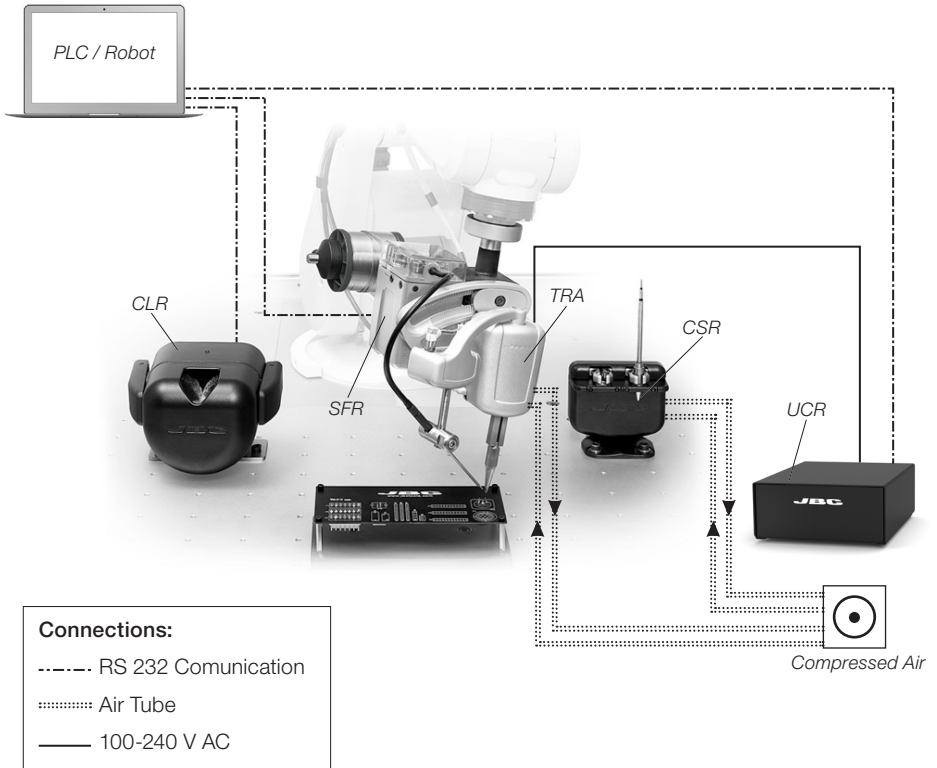


Connector Cable (3m) 1 unit
Ref. 0024563



Manual 1 unit
Ref. 0027878

Features and Connections



Further information can be found in the instruction manuals for the individual products, which are contained in the respective product box.

For SFR download the Robot Communication Protocol at www.jbctools.com/jbcsoftware.html

Maintenance and Safety

Follow the instructions in the individual instruction manuals, included in each product box.

Notes

Specifications

HA

Soldering Unit for Robot

Ref.: HA245A-5B

Ref.: HA470A-5B

HA245A-5B

- Total Package Dimensions/Weight: 490 x 485 x 278 mm / 10.33 kg
(L x W x H) 19.29 x 19.09 x 10.94 in / 22.77 lb

HA470A-5B

- Total Package Dimensions/Weight: 490 x 485 x 278 mm / 10.52 kg
(L x W x H) 19.29 x 19.09 x 10.94 in / 23.18 lb

UCR

UCR245-5A 100 - 240V 50/60Hz. Input fuse: 2.5A. Output: 21V.

- Output Peak Power: 160W
- Temperature Range: 90 - 450 °C / 190 - 840 °F
- Total Net Weight: 2581 g / 5.69 lb
- Package Dimensions/Weight: 328 x 258 x 208 mm / 3160 g
(L x W x H) 12.91 x 10.16 x 8.01 in / 6.97 lb

UCR470-5A 100 - 240V 50/60Hz. Input fuse: 3.5A. Output: 42V.

- Output Peak Power: 250W
- Temperature Range: 90 - 500 °C / 190 - 930 °F
- Total Net Weight: 2635 g / 5.81 lb
- Package Dimensions/Weight: 328 x 258 x 208 mm / 3215 g
(L x W x H) 12.91 x 10.16 x 8.01 in / 7.09 lb

UCR245-5A / UCR470-5A

- Idle Temp. Stability (still air): ± 1.5 °C / ± 3 °F
- Tip to ground resistance: < 2 ohms
- Tip to ground voltage: < 2mV RMS
- Ambient operating temp: 10 - 40 °C / 50 - 104 °F
- Connections: Communications: M8-5pins
Tool: M16-8pins
- Unit Dimensions: 210 x 162 x 75 mm
(L x W x H) 8.3 x 6.4 x 3.0 in

CLR

CLMR-A

- Brush diameter: 50 mm / 2.0 in
- Total Net Weight: 2737 g / 6.03 lb
- Package Dimensions/Weight: 221 x 136 x 126 mm / 3060 g
(L x W x H) 8.70 x 5.35 x 4.96 in / 6.75 lb

TRA**TRA245-A**

- Total Net Weight: 700 g / 1.54 lb
- Package Dimensions/Weight:
(L x W x H) 221 x 136 x 126 mm / 909 g
8.70 x 5.35 x 4.96 in / 2.00 lb

TRA470-A

- Total Net Weight: 716 g / 1,58 lb
- Package Dimensions/Weight:
(L x W x H) 220 x 213 x 160 mm / 1000 g
8.66 x 8.39 x 6.30 in / 2.20 lb

TRA245-A / TRA470-A

- Operating Pressure 1.5 to 7 bar / 20 to 100 psi

SFR**SFR-B**

- Power Supply input: 24Vdc / $\pm 5\%$. 1.5 A current required
- Spool Capacity: Up to 1 kg / 2.20 lb
- Solder Wire Reel Dimensions: Max. length 80mm / 3.2 in
Max. diam. 80mm / 3.2 in
- Max. Speed: 120 mm/s / 4.72 in/s
- Ambient Operating Temp.: 10 - 50 °C / 50 - 122 °F
- Connections: M8-5 pin Communication Connector
- Total Net Weight: 984 g / 2.17 lb
- Package Dimensions/Weight:
(L x W x H) 221 x 136 x 126 mm / 1200 g
8.70 x 5.35 x 4.96 in / 2.65 lb

CSR**CS2R245-B**

- Total Net Weight: 789 g / 1.74 lb
- Package Dimensions/Weight:
(L x W x H) 221 x 136 x 126 mm / 1004 g
8.70 x 5.35 x 4.96 in / 2.21 lb

CS2R470-B

- Total Net Weight: 807 g / 1.78 lb
- Package Dimensions/Weight:
(L x W x H) 221 x 136 x 126 mm / 1045 g
8.70 x 5.35 x 4.96 in / 2.30 lb

Complies with CE Standards.
ESD safe.

JBC

Warranty

JBC's 2 year warranty covers this equipment against all manufacturing defects, including the replacement of defective parts and labour.

Warranty does not cover product wear or misuse.

In order for the warranty to be valid, equipment must be returned, postage paid, to the dealer where it was purchased.



This product should not be thrown in the garbage.

In accordance with the European directive 2012/19/EU, electronic equipment at the end of its life must be collected and returned to an authorized recycling facility.



www.jbctools.com